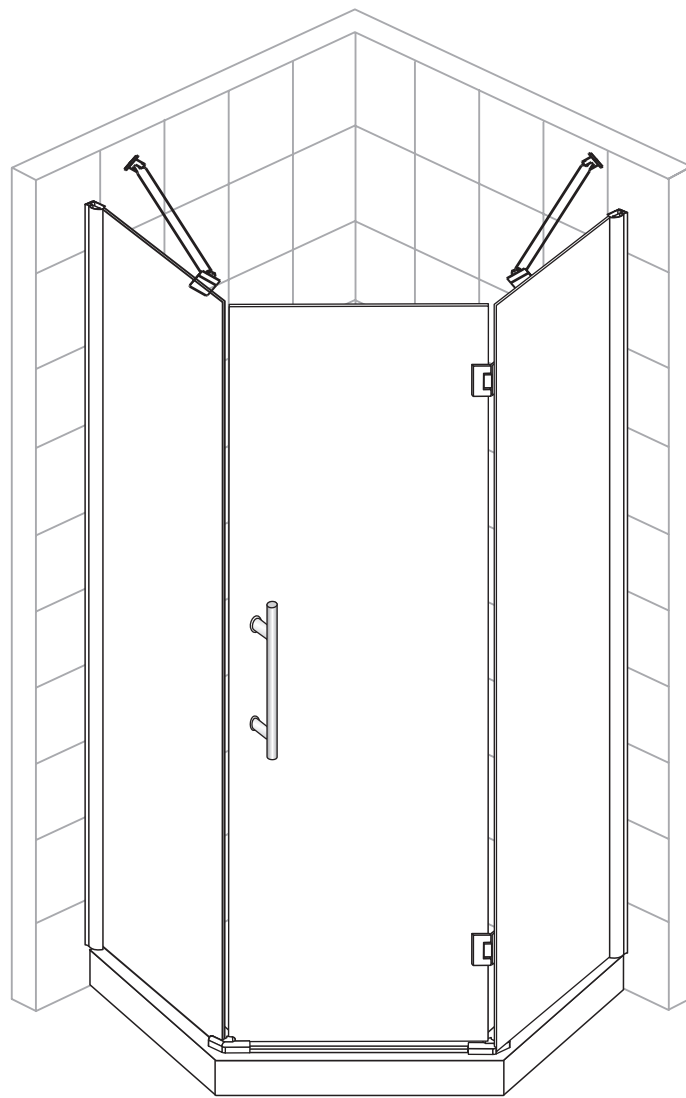


# INSTALLATION INSTRUCTIONS

## CWA3231



## ◆ General Information

Please inspect the product immediately upon receipt for transit damage, missing packs/parts or manufacturing fault. Damage reported later cannot be accepted. Please handle the product with care avoiding knocks and shock loading to all sides and edges of the glass.

### **Notes: Safety glass can not be re-worked.**

Please read these instructions carefully before start of installation.

Special care should be taken when drilling walls to avoid hidden pipes or electrical cables.

Note: This product is heavy and may require two people to install.

## Aftercare instructions

After use, your shower should be cleaned with soap and water. This is particularly important in hard water districts where insoluble lime salts may be deposited and allowed to build up.

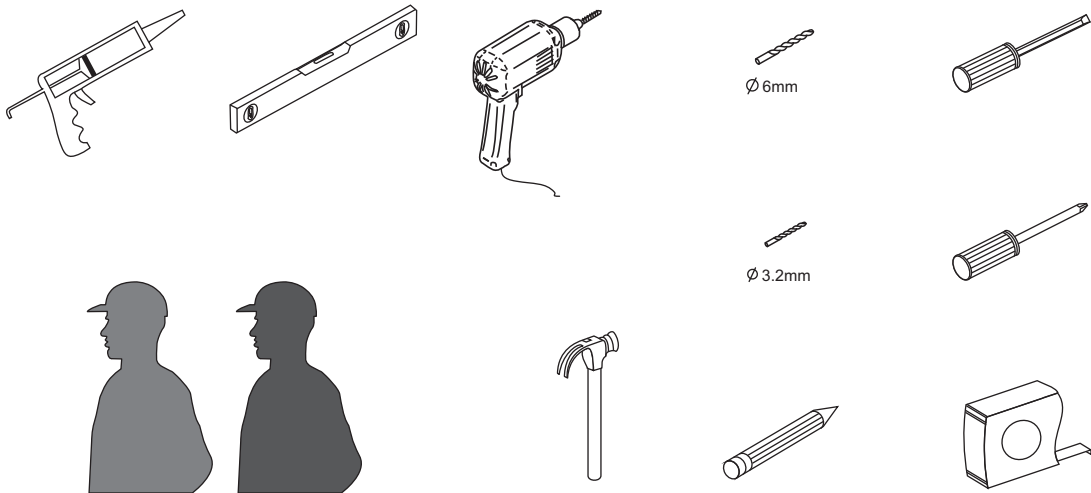
Cleaners of a gritty or abrasive nature should not be used. Care should be taken to avoid contact with strong chemicals such as organic solvents and strippers.

Glass cleaners can be used but with caution, if in doubt contact the manufacturer of the cleaner in question.

Please keep these instructions for aftercare and customer service details.

---

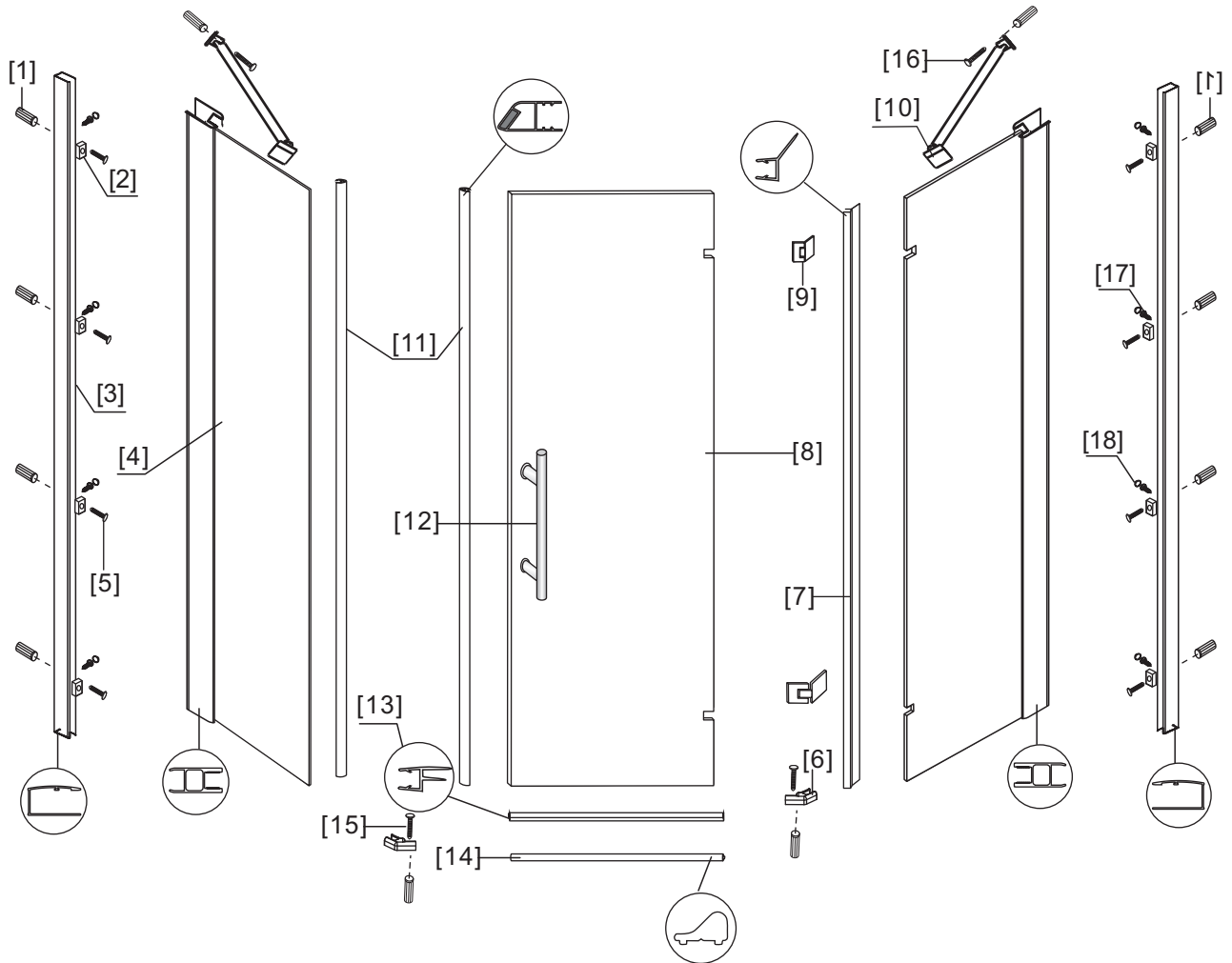
## Tools Required



**This product is heavy and may require two people to install.**



## ◆ Assembly Drawing

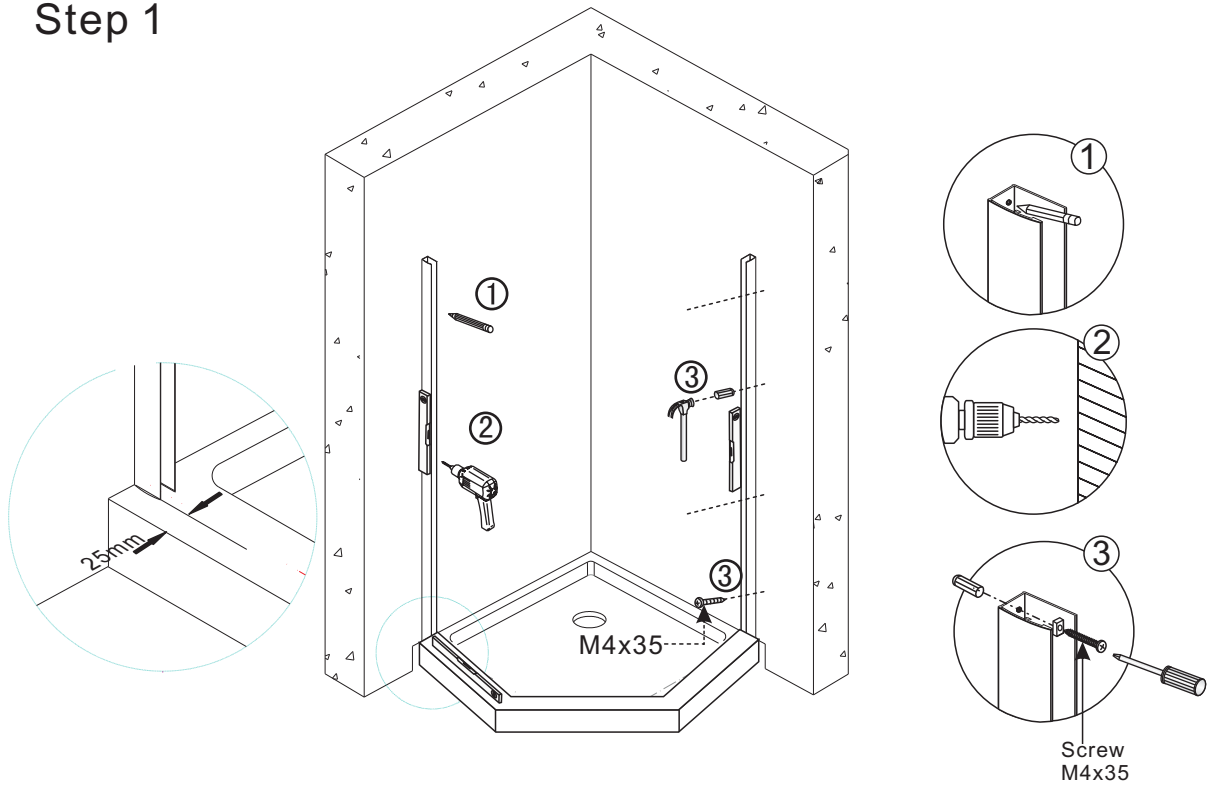


- [1] 12 X Wall Plugs
- [2] 8xBumper Mouldings
- [3] 2xWall Posts
- [4] 2xFixed Panels
- [5] 8xScrews M4x35
- [6] 2xClips
- [7] 1xDoor Water Deflector
- [8] 1xDoor Panel
- [9] 2xHinges

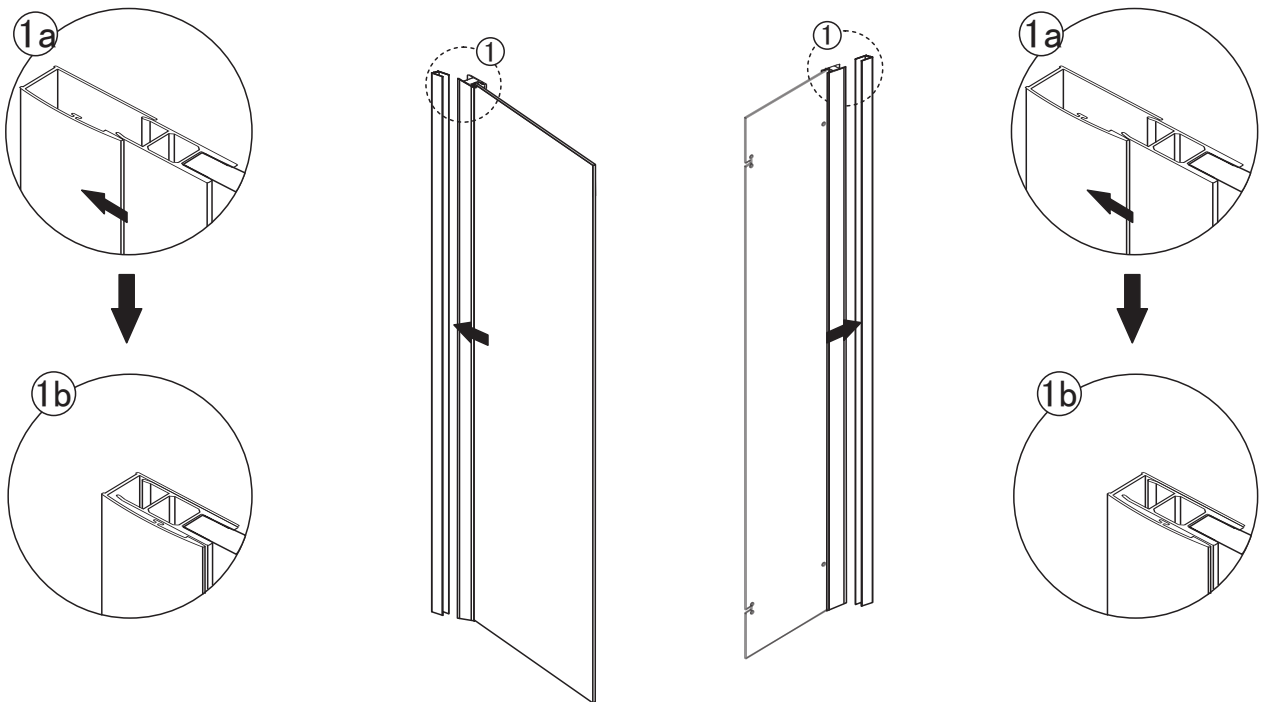
- [10] 1xBracket
- [11] 2xMagnetic Seals
- [12] 1xHandle
- [13] 1xWater Deflectors
- [14] 1xAluminum Rail
- [15] 2xScrews M4x25
- [16] 2xScrews M4x35
- [17] 8xScrews M4x8
- [18] 8xScrew Cover Caps

# ◆ Installation steps:

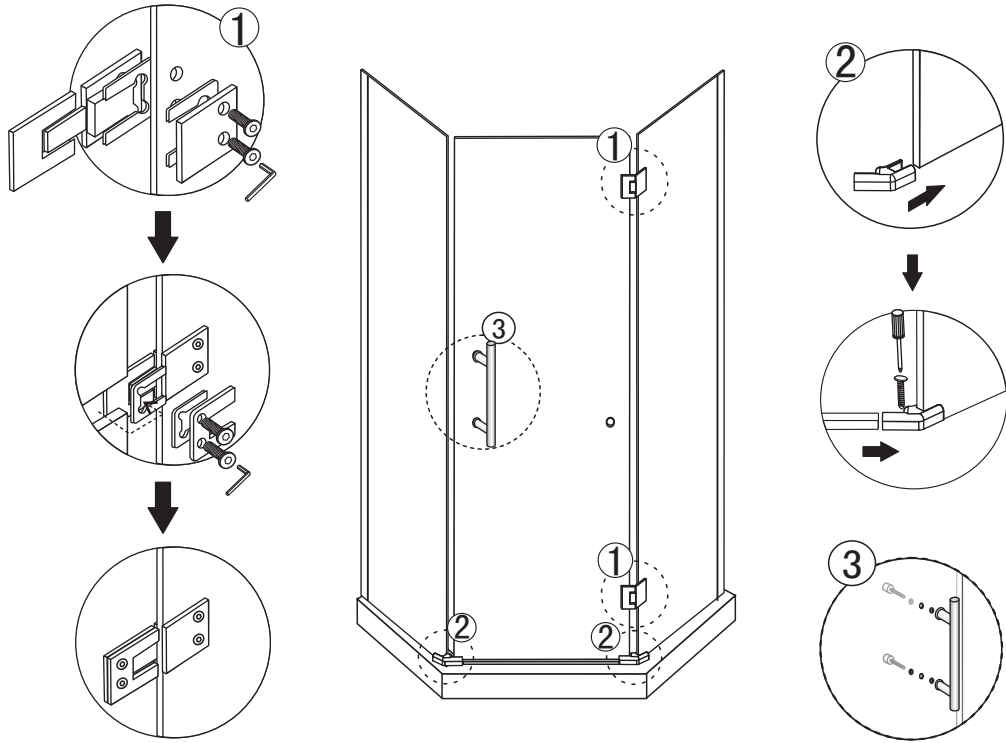
## Step 1



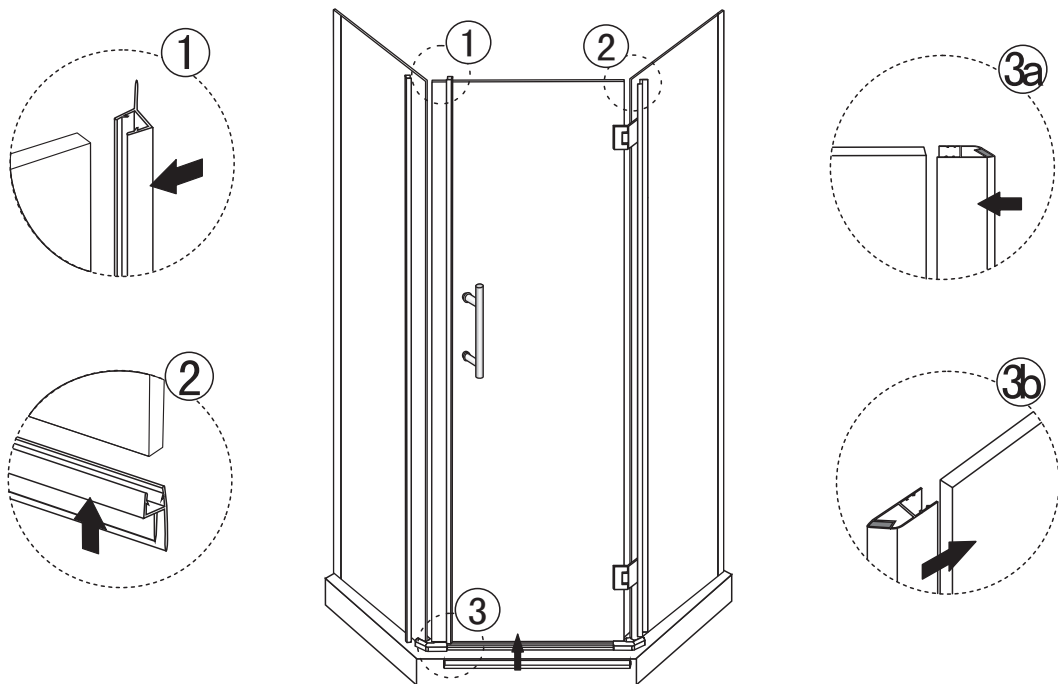
## Step 2



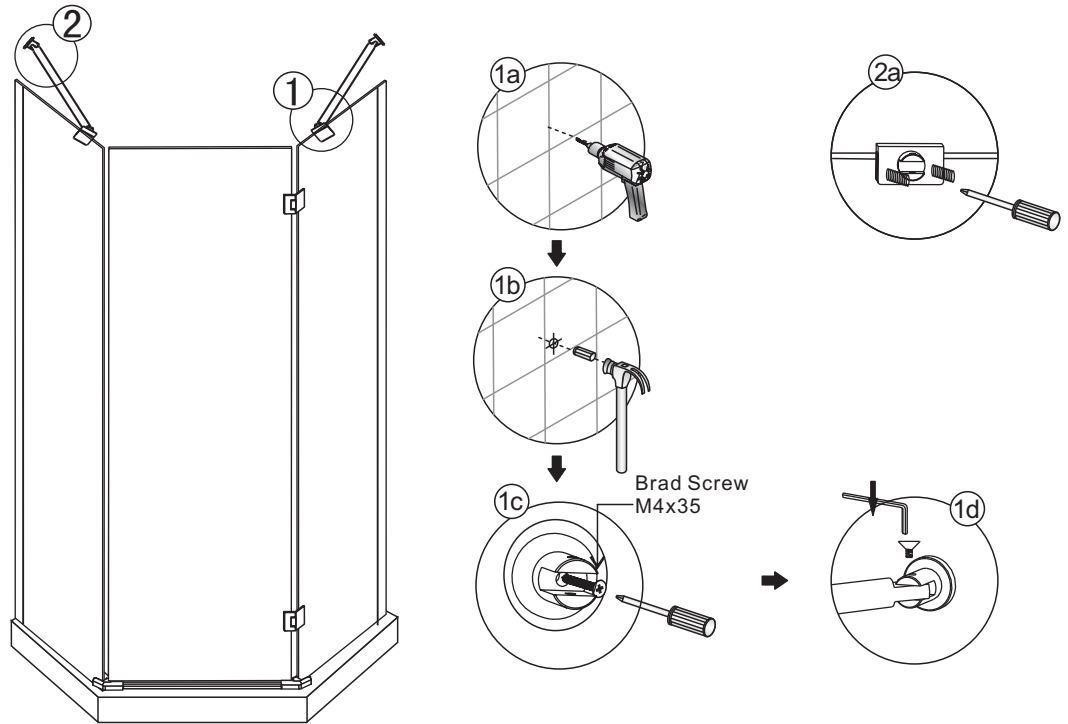
### Step 3



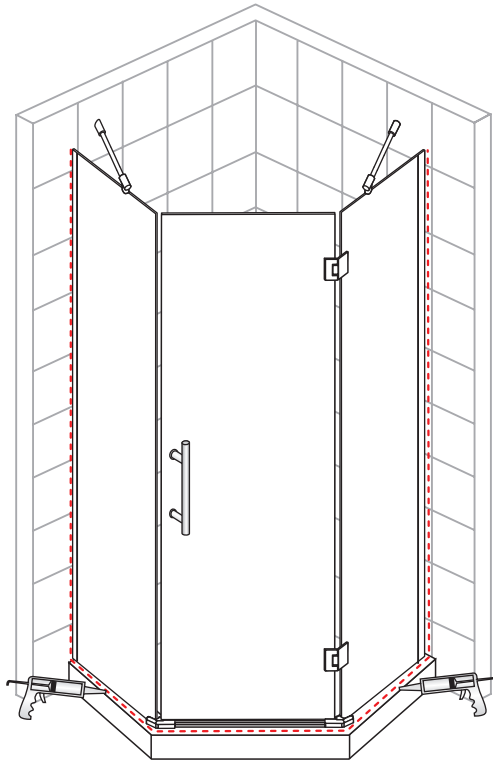
### Step 4



## Step 5



## Step 6



Allow 24 hours for silicone to dry before use.