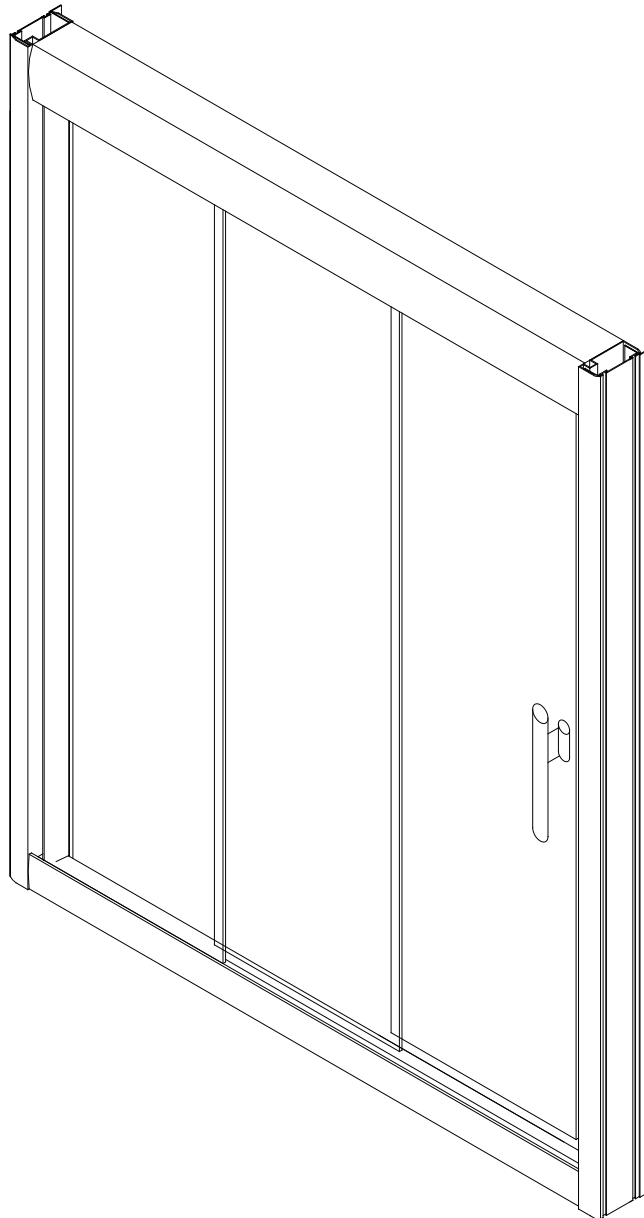


CH6132 Instruction Manual



◆ General Information

Please inspect the product immediately upon receipt for transit damage, missing packs/parts or manufacturing fault. Damage reported later cannot be accepted. Please handle the product with care avoiding knocks and shock loading to all sides and edges of the glass.

Notes: Safety glass can not be re-worked.

Please read these instructions carefully before start of installation.

Special care should be taken when drilling walls to avoid hidden pipes or electrical cables.

Note: This product is heavy and may require two people to install.

Aftercare instructions

After use, your shower should be cleaned with soap and water. This is particularly important in hard water districts where insoluble lime salts may be deposited and allowed to build up.

Cleaners of a gritty or abrasive nature should not be used. Care should be taken to avoid contact with strong chemicals such as organic solvents and strippers.

Glass cleaners can be used but with caution, if in doubt contact the manufacturer of the cleaner in question.

Please keep these instructions for aftercare and customer service details.

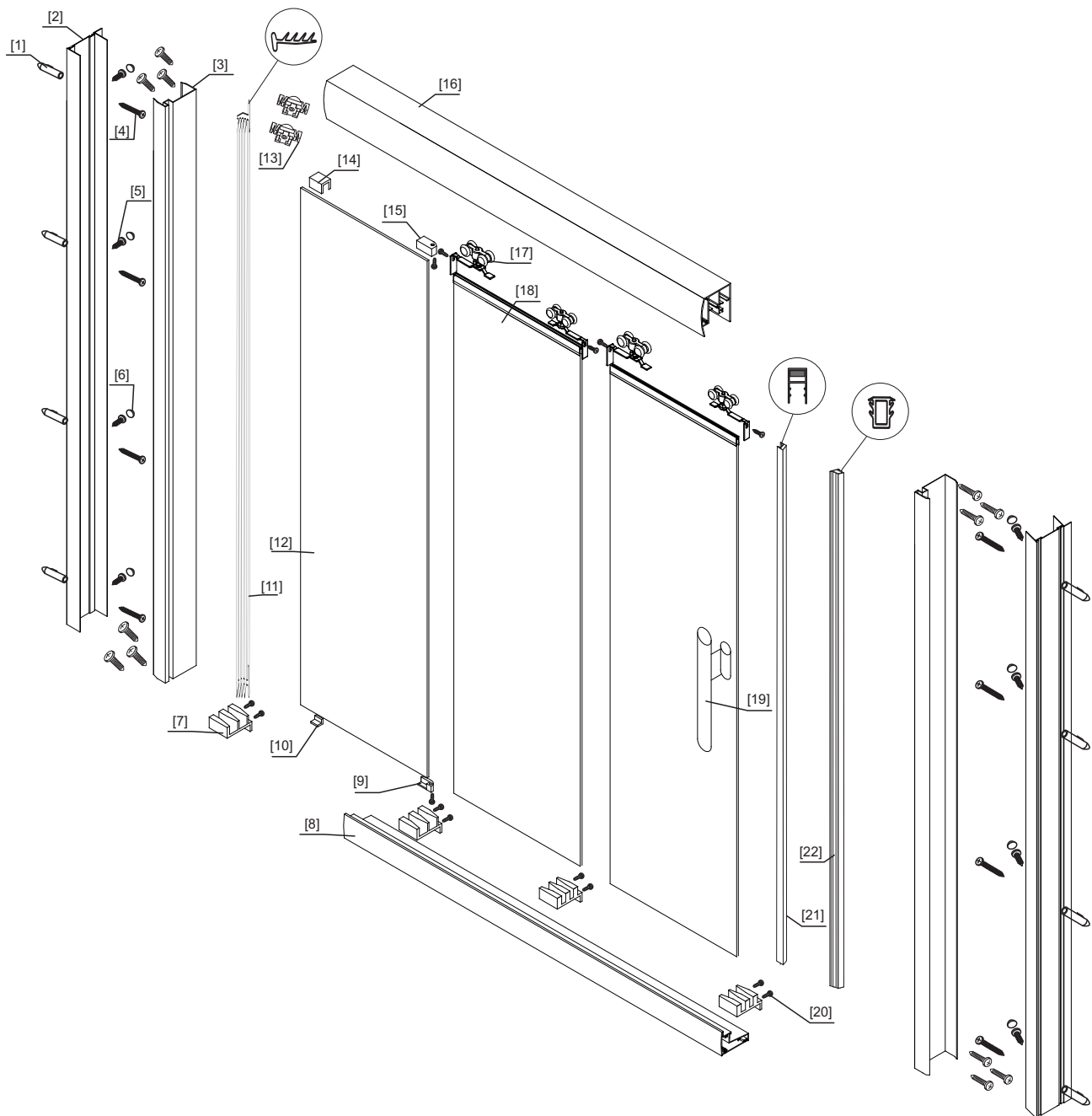
Tools Required



This product is heavy and may require two people to install.



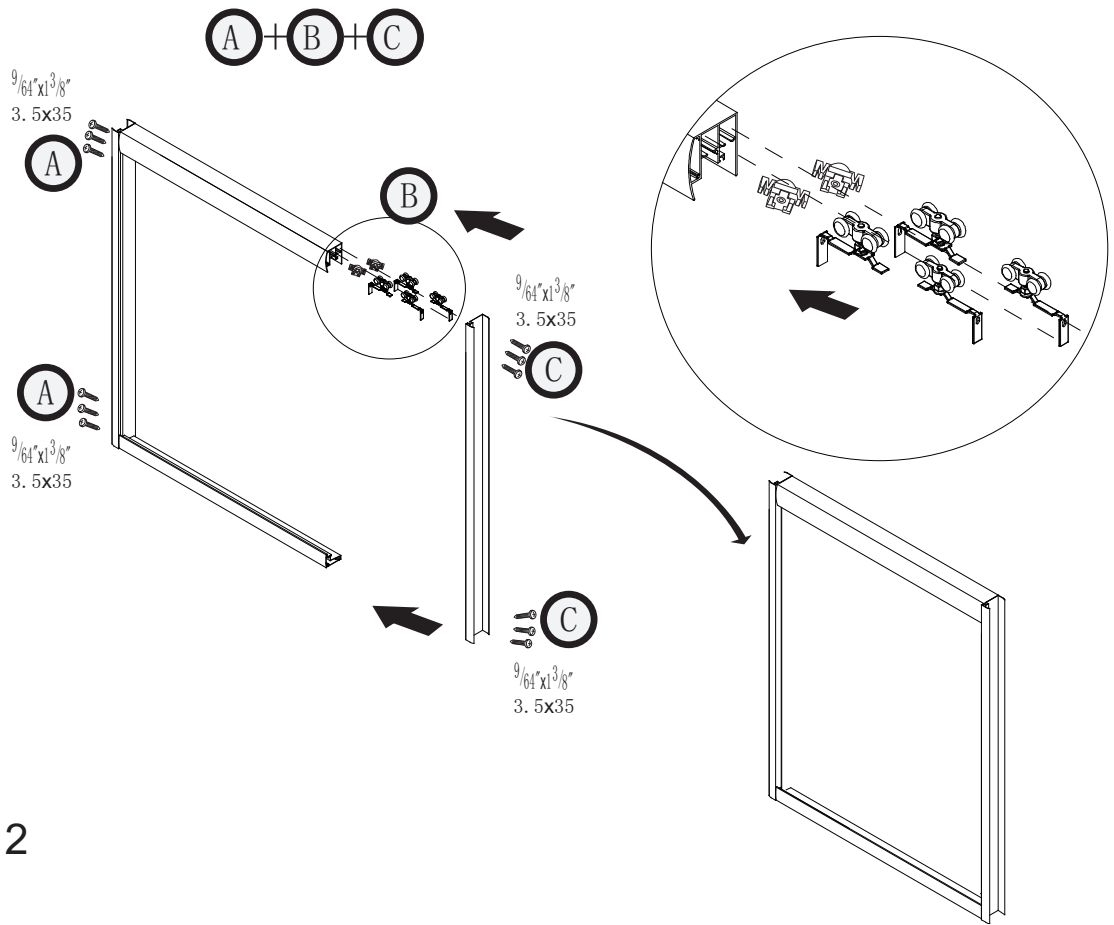
◆ Assembly Drawing



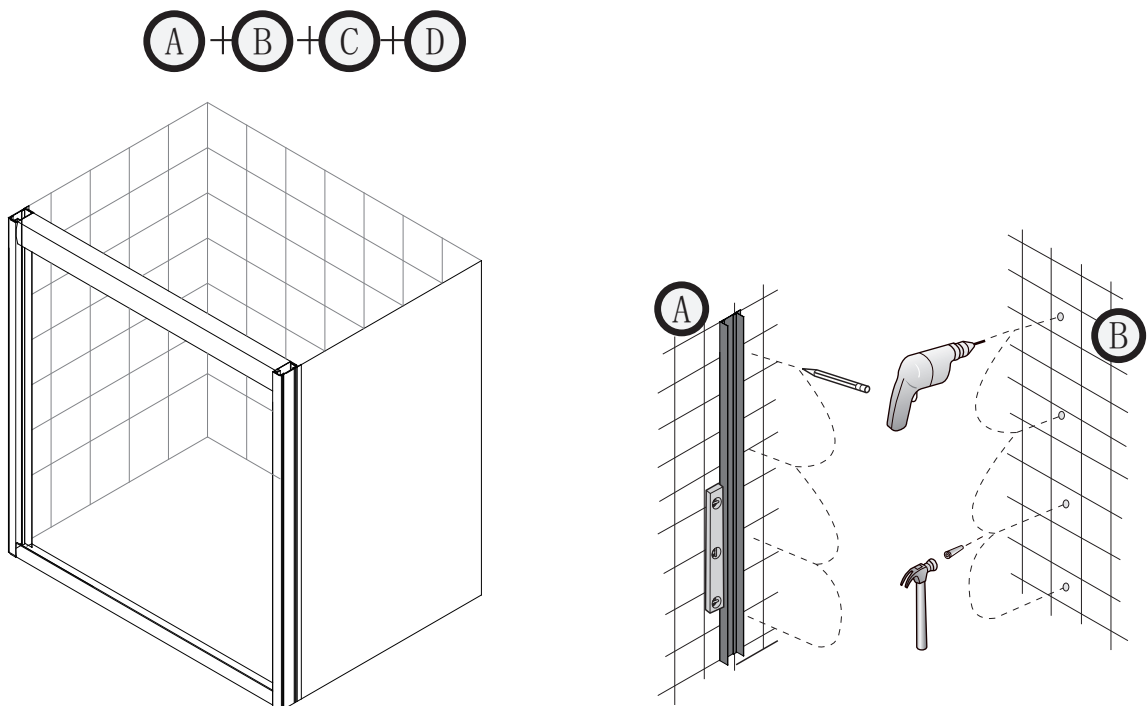
- | | |
|------------------------------|----------------------------|
| [1] 8xWall Plugs | [12] 1xFixed panel |
| [2] 2xWall Posts | [13] 1xSet piece |
| [3] 2xPosts | [14] 1x"U"Shaped Groove |
| [4] 8xScrews M3.5x35 | [15] 1xBumpers |
| [5] 8xScrews M4x8 | [16] 1xTop Horizontal Rail |
| [6] 8xScrew Cover Caps | [17] 4xBottom Rollers |
| [7] 4xGlass Tracks | [18] 2xDoor Panels |
| [8] 1xBottom Horizontal Rail | [19] 1xHandle Set |
| [9] 1xBumper Block | [20] 26xScrews M4x14 |
| [10] 1x"L"Shaped Groove | [21] 1xMagnetic Seal |
| [11] 1xWater Deflector | [22] 1xDeflector |

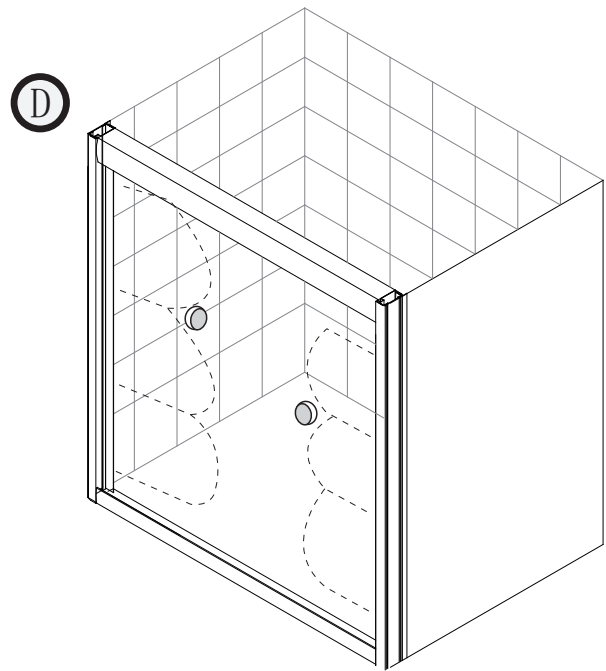
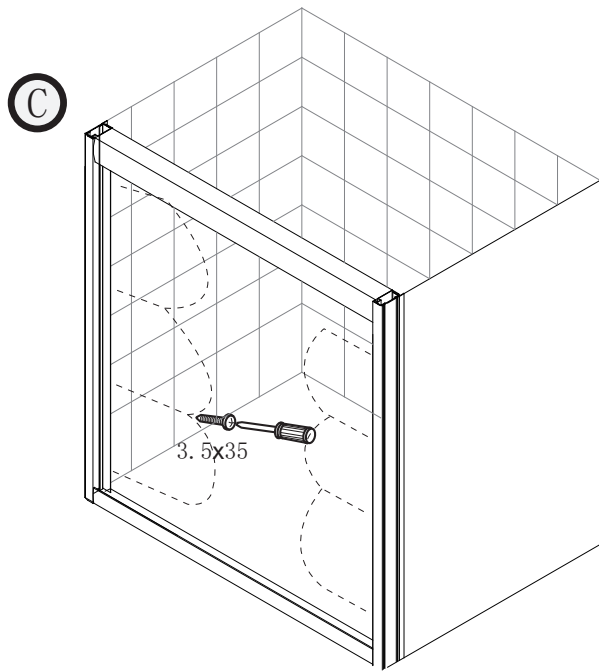
◆ Installation Steps

Step 1



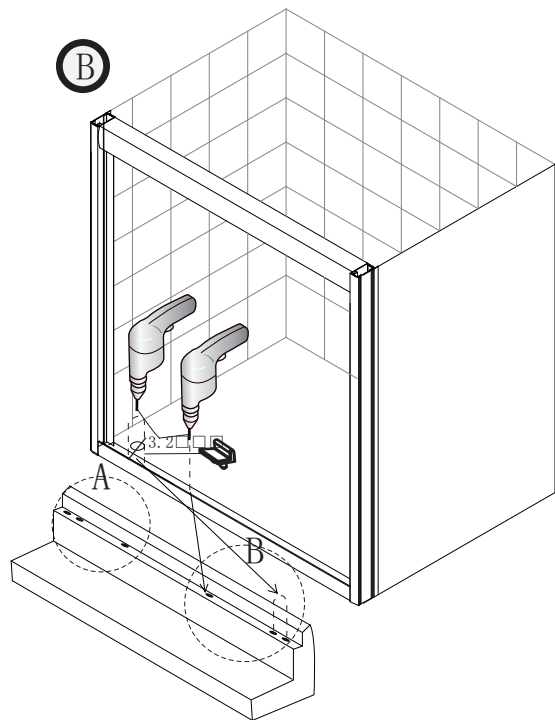
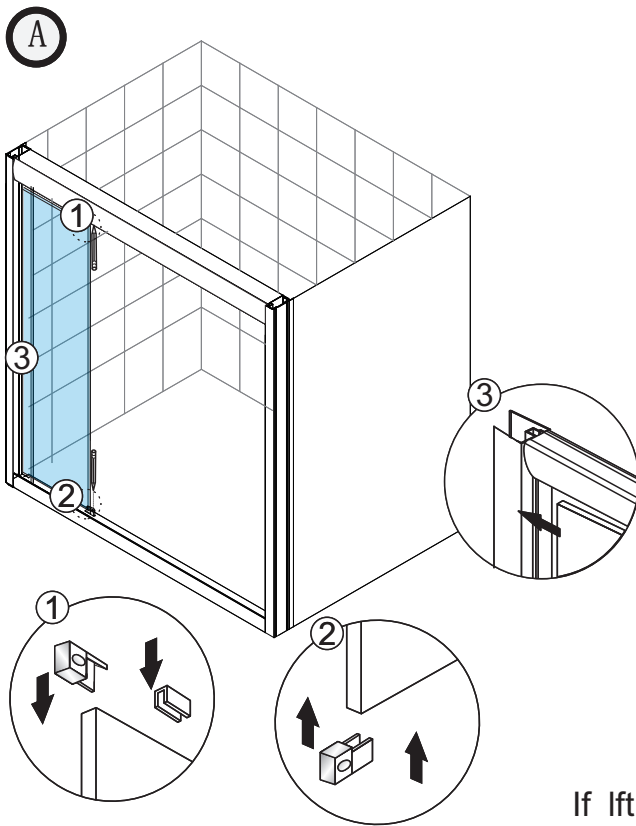
Step 2





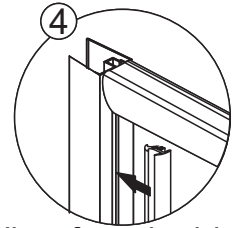
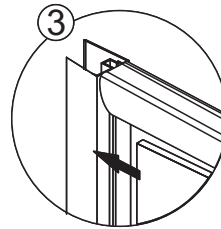
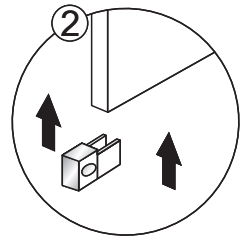
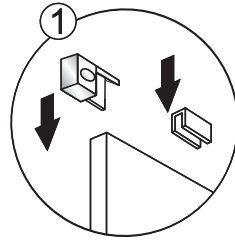
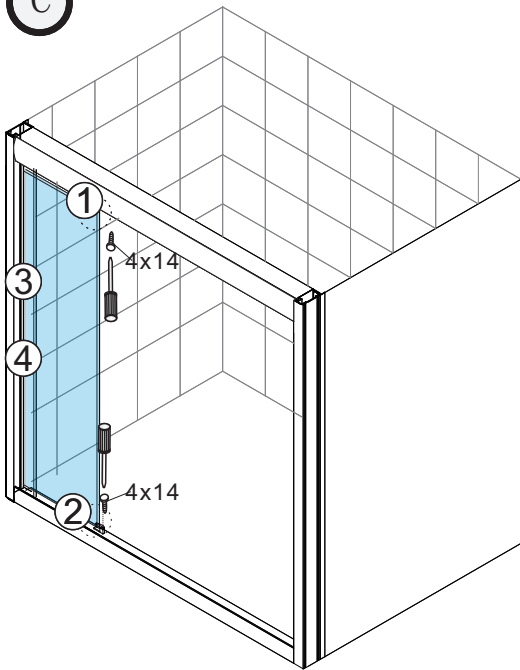
Step 3

(A) + (B) + (C)



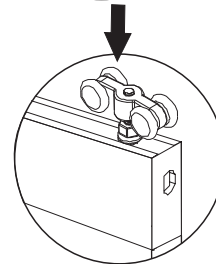
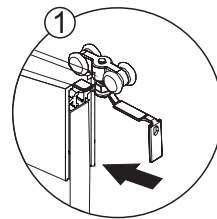
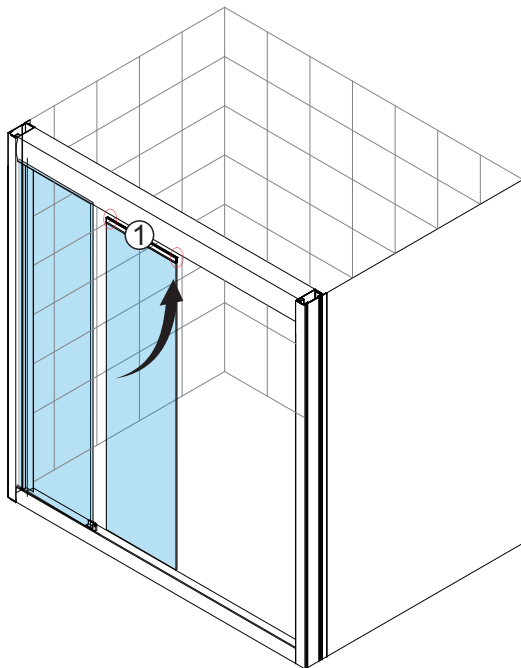
If left open, drill the hole on position A.
If right open, drill the hole on position B.

C

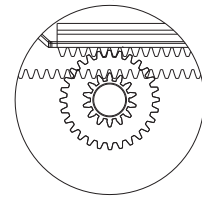
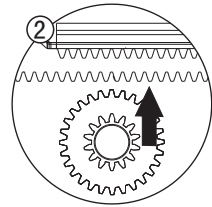
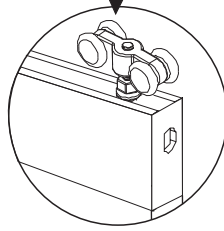
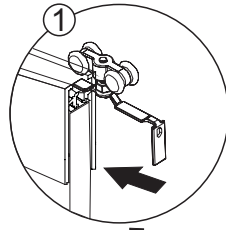
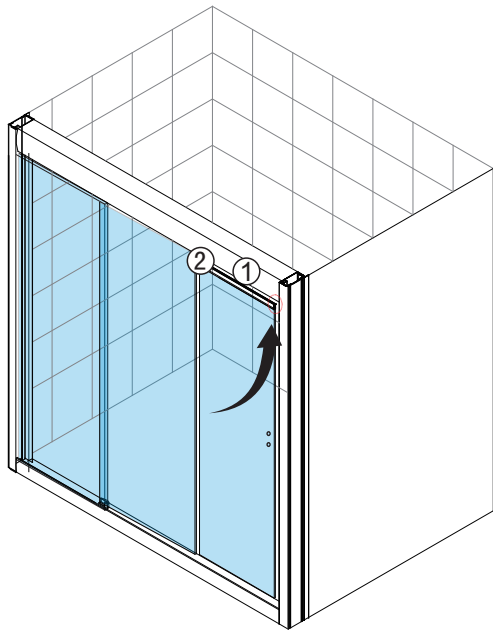


View from inside

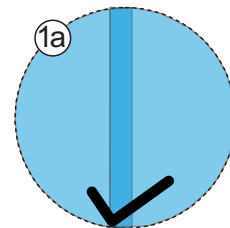
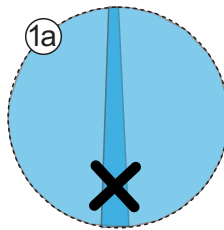
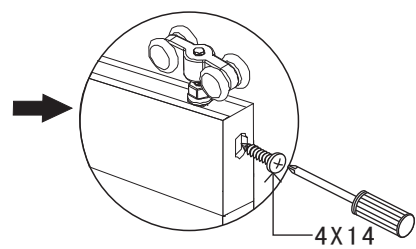
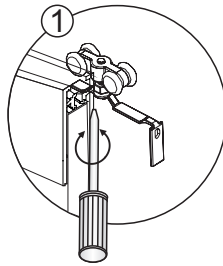
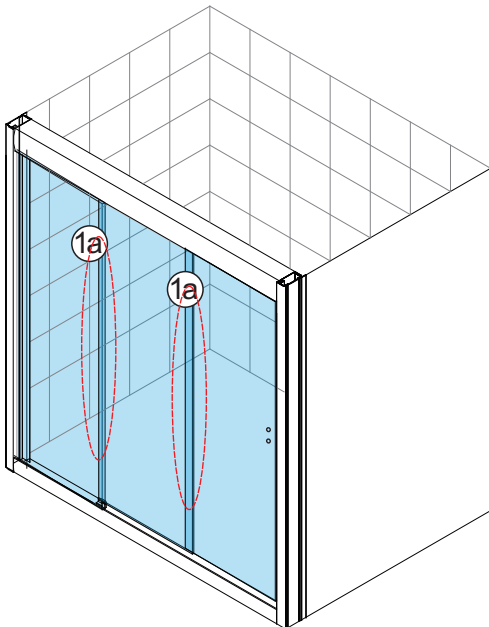
Step 4



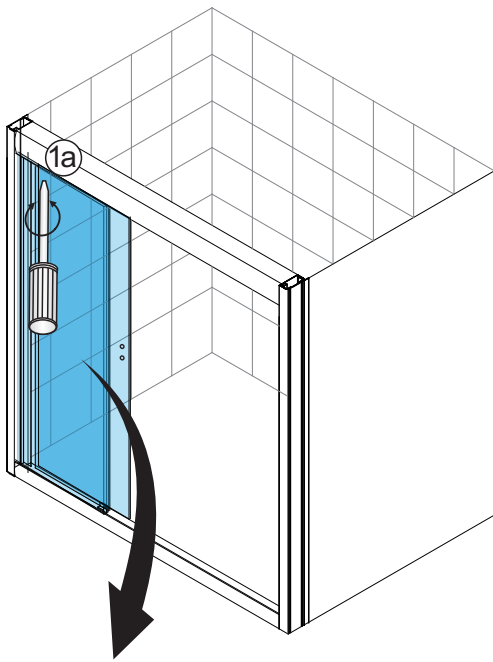
Step 5



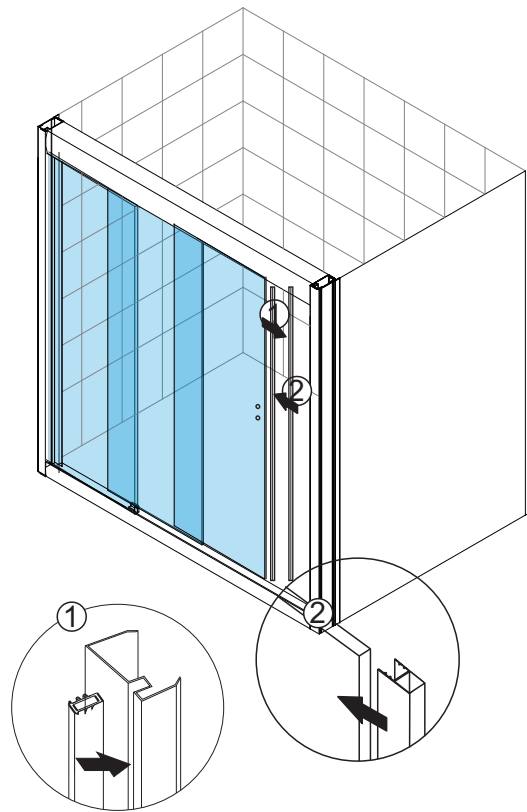
Step 6



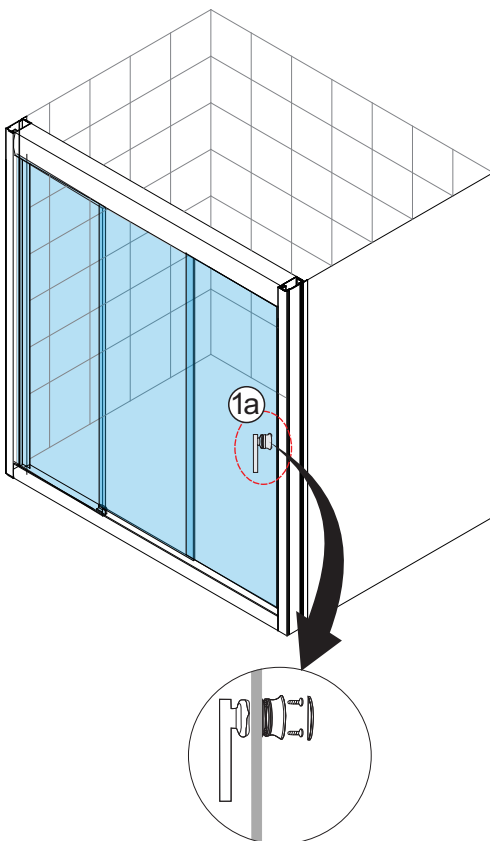
Step 7



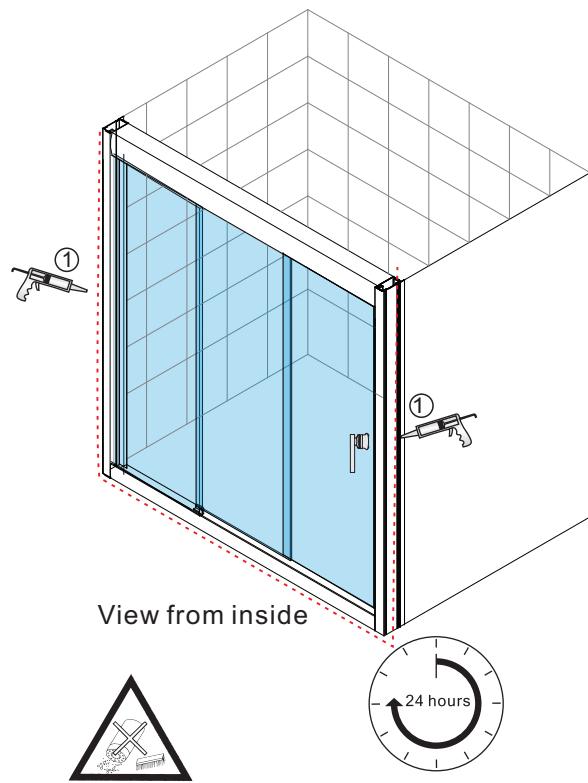
Step 8



Step 9



Step 10



View from inside

Allow 24 hours for silicone to dry before use.