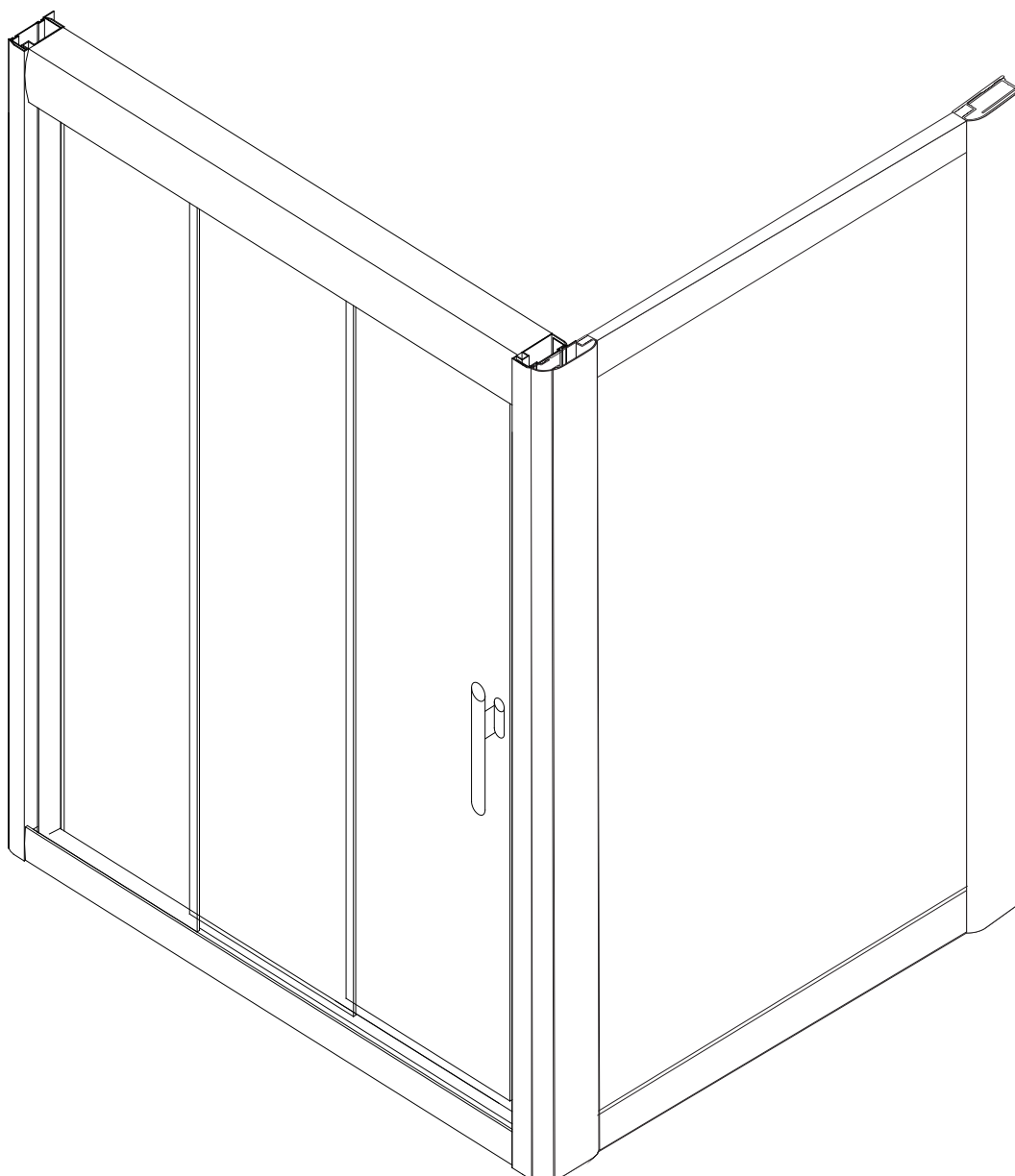


INSTALLATION INSTRUCTIONS

CH1142



◆ General Information

Please inspect the product immediately upon receipt for transit damage, missing packs/parts or manufacturing fault. Damage reported later cannot be accepted. Please handle the product with care avoiding knocks and shock loading to all sides and edges of the glass.

Notes: Safety glass can not be re-worked.

Please read these instructions carefully before start of installation.

Special care should be taken when drilling walls to avoid hidden pipes or electrical cables.

Note: This product is heavy and may require two people to install.

Aftercare instructions

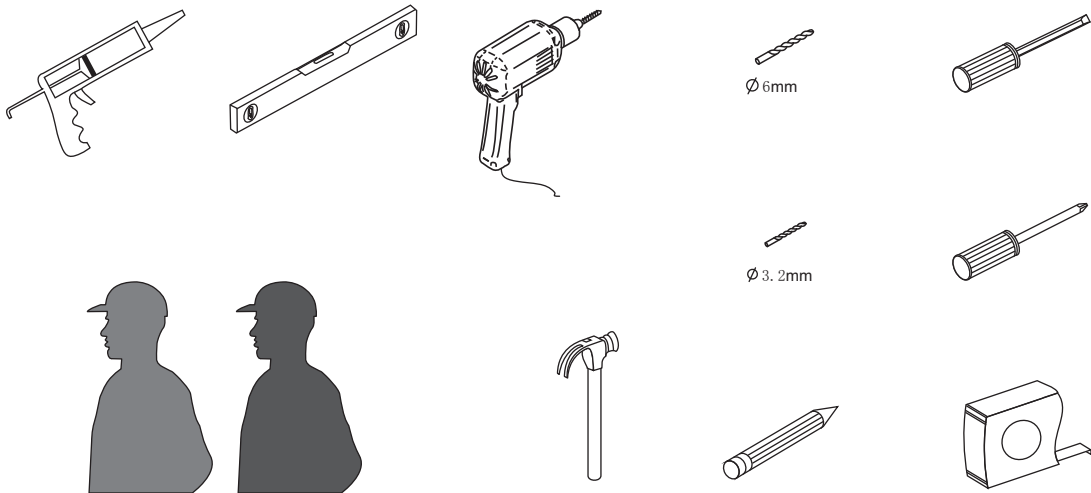
After use, your shower should be cleaned with soap and water. This is particularly important in hard water districts where insoluble lime salts may be deposited and allowed to build up.

Cleaners of a gritty or abrasive nature should not be used. Care should be taken to avoid contact with strong chemicals such as organic solvents and strippers.

Glass cleaners can be used but with caution, if in doubt contact the manufacturer of the cleaner in question.

Please keep these instructions for aftercare and customer service details.


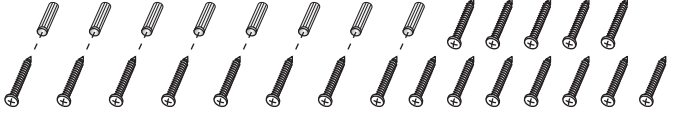
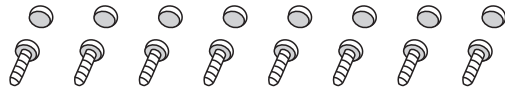
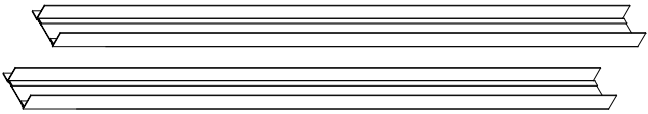
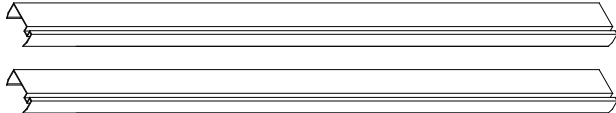



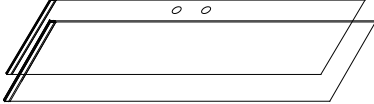


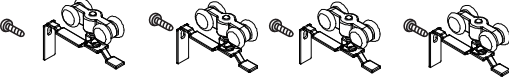
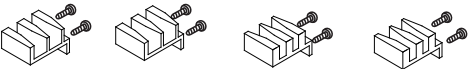

Tools Required



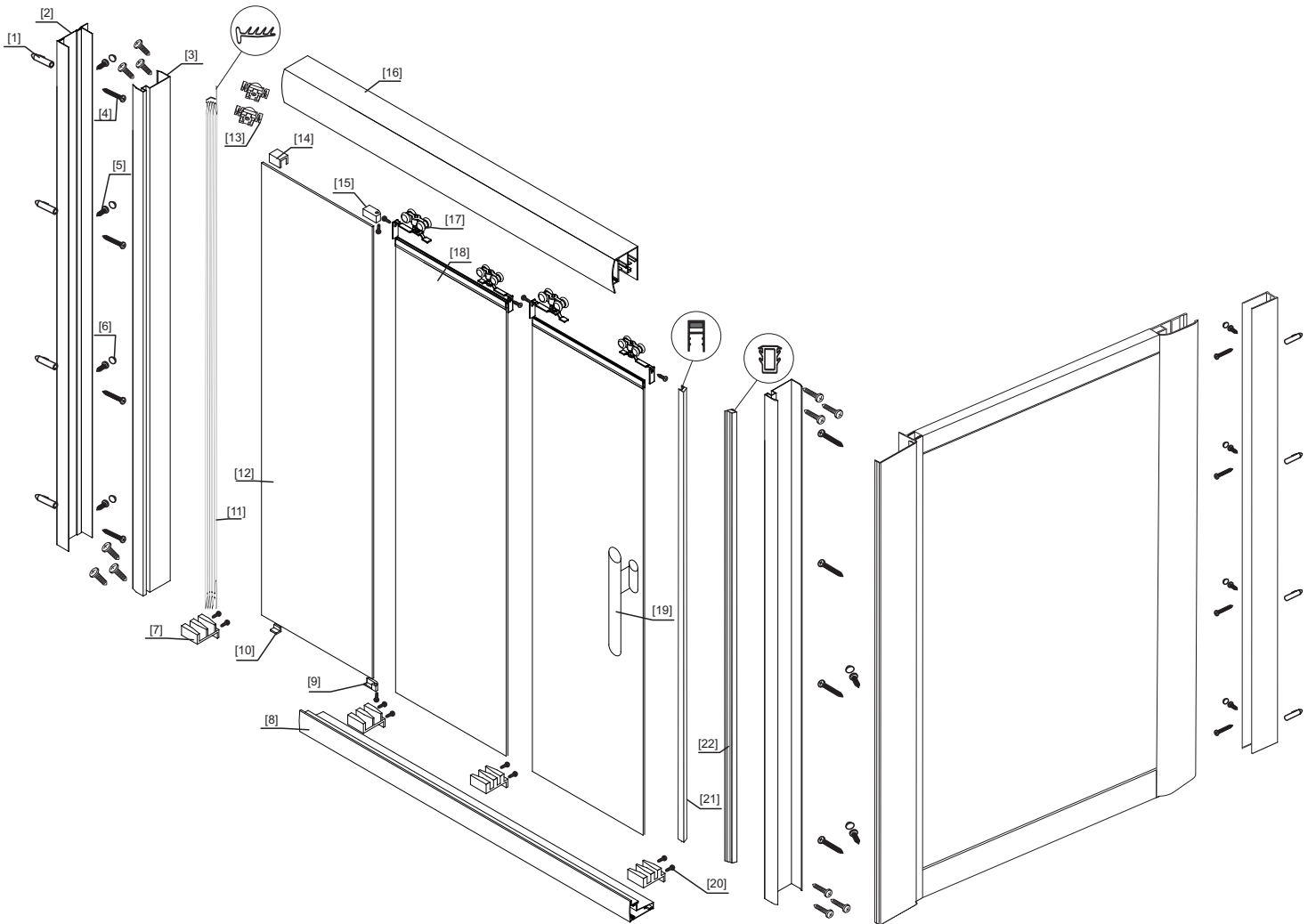
This product is heavy and may require two people to install.



◆ Box Contents:

<p>[1] 1xInstallation Instruction</p>	<p>➔</p>	
<p>[2] 8xWall Plugs 20xScrews M3.5x35 8xScrew Cover Caps</p>	<p>➔</p>	
<p>[3] 8xScrews M4x8 8xScrew Cover Caps</p>	<p>➔</p>	
<p>[4] 2xWall Posts</p>	<p>➔</p>	
<p>[5] 2xPosts</p>	<p>➔</p>	
<p>[6] 1xTop Horizontal Rail</p>	<p>➔</p>	
<p>[7] 1xBottom Horizontal Rail</p>	<p>➔</p>	
<p>[8] 2xFixed panel</p>	<p>➔</p>	
<p>[9] 2xDoor Panels</p>	<p>➔</p>	
<p>[10] 1xMagnetic Seal 1xWater Deflector 1xDeflector</p>	<p>➔</p>	
<p>[11] 1xSet piece 1xBumper Block 1xBumpers 4xScrews M4x14</p>	<p>➔</p>	
<p>[12] 4xBottom Rollers 4xScrews M4x14</p>	<p>➔</p>	
<p>[13] 4xGlass Tracks 8xScrews M4x14</p>	<p>➔</p>	
<p>[14] 1x"U"Shaped Groove 1x"L"Shaped Groove 1xHandle Set</p>	<p>➔</p>	

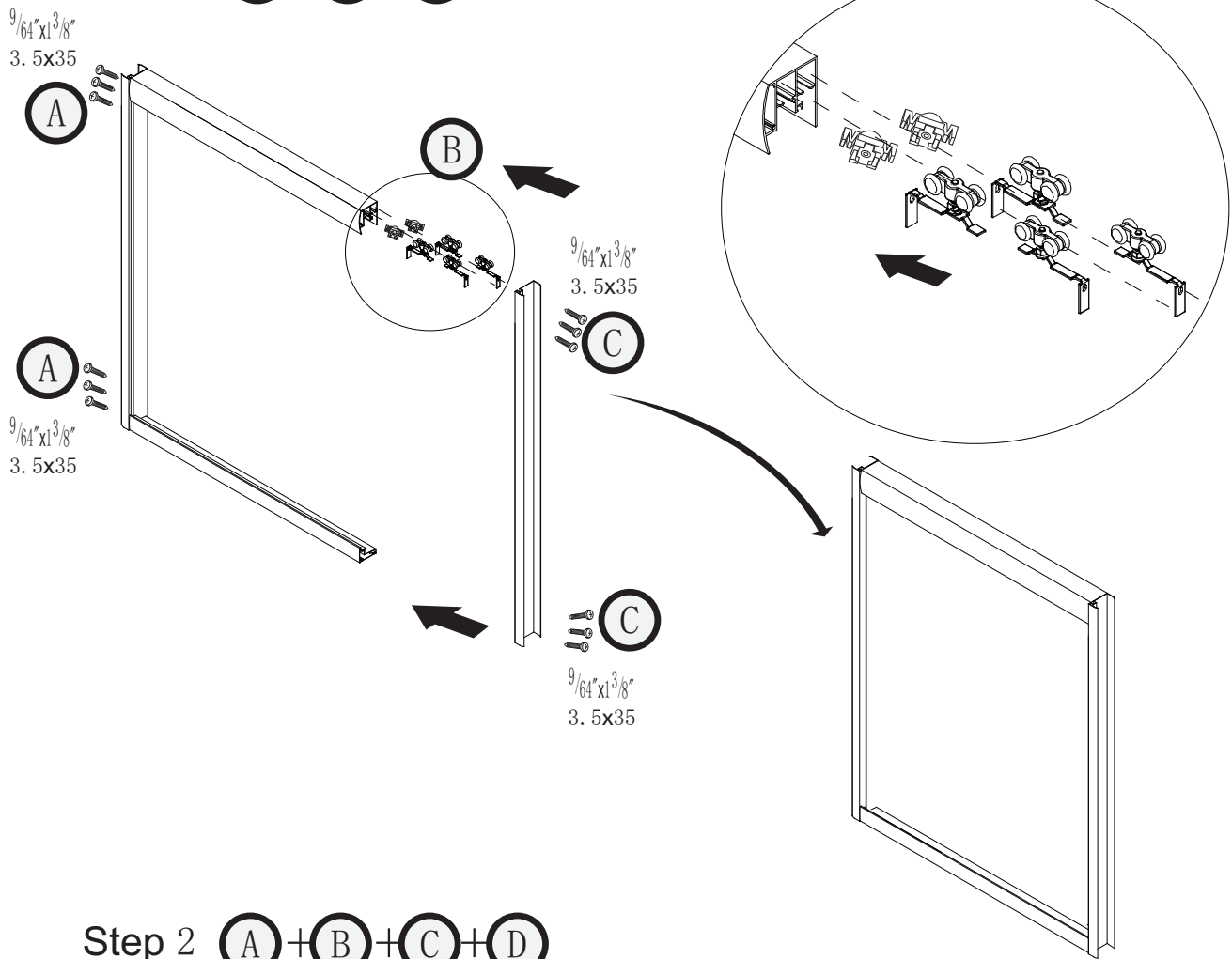
◆ Assembly Drawing



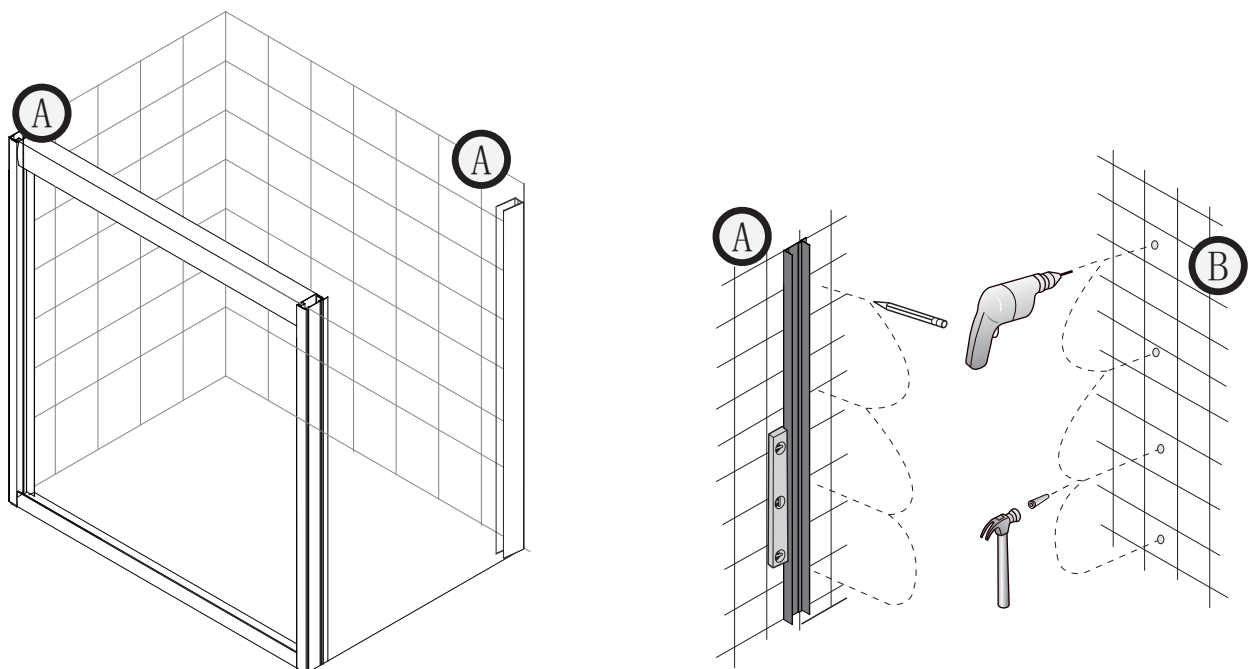
- | | |
|------------------------------|----------------------------|
| [1] 8xWall Plugs | [12] 1xFixed panel |
| [2] 2xWall Posts | [13] 1xSet piece |
| [3] 2xPosts | [14] 1x"U"Shaped Groove |
| [4] 8xScrews M3.5x35 | [15] 1xBumpers |
| [5] 8xScrews M4x8 | [16] 1xTop Horizontal Rail |
| [6] 8xScrew Cover Caps | [17] 4xBottom Rollers |
| [7] 4xGlass Tracks | [18] 2xDoor Panels |
| [8] 1xBottom Horizontal Rail | [19] 1xHandle Set |
| [9] 1xBumper Block | [20] 26xScrews M4x14 |
| [10] 1x"L"Shaped Groove | [21] 1xMagnetic Seal |
| [11] 1xWater Deflector | [22] 1xDeflector |

◆ Installation Steps

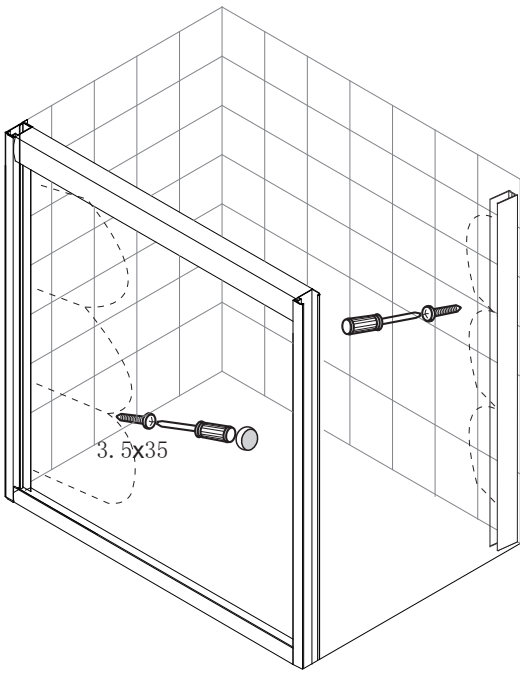
Step 1 (A) + (B) + (C)



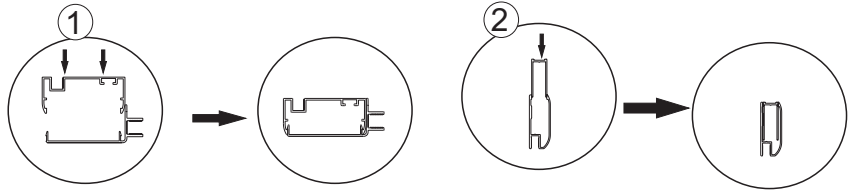
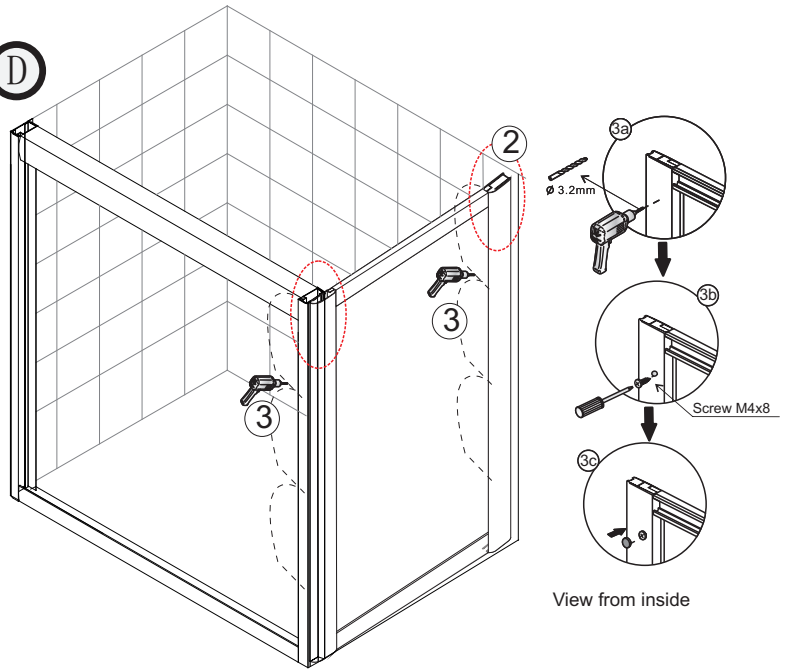
Step 2 (A) + (B) + (C) + (D)



C

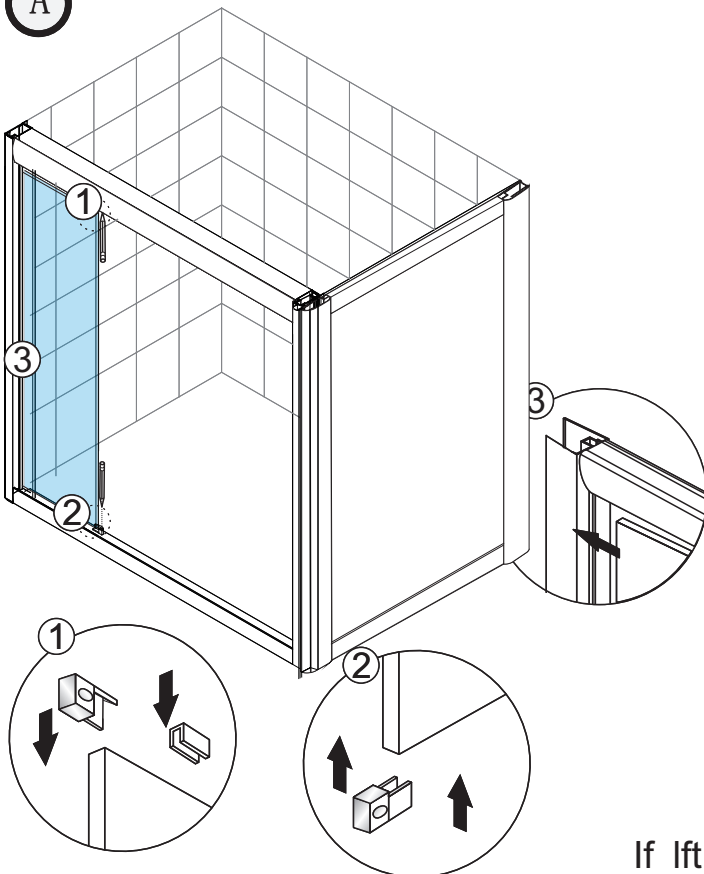


D

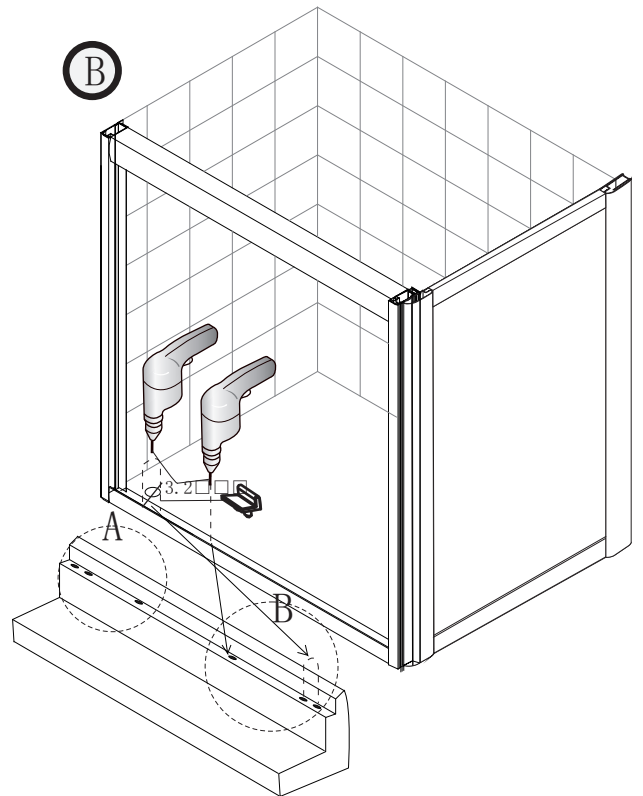


Step 3 A + B + C

A

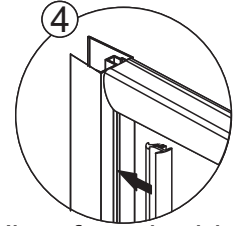
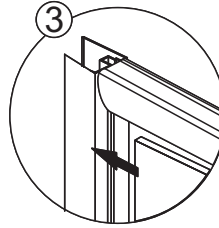
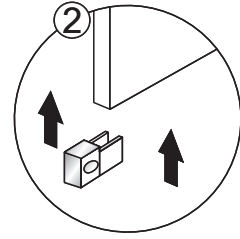
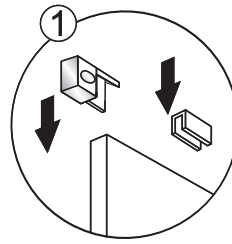
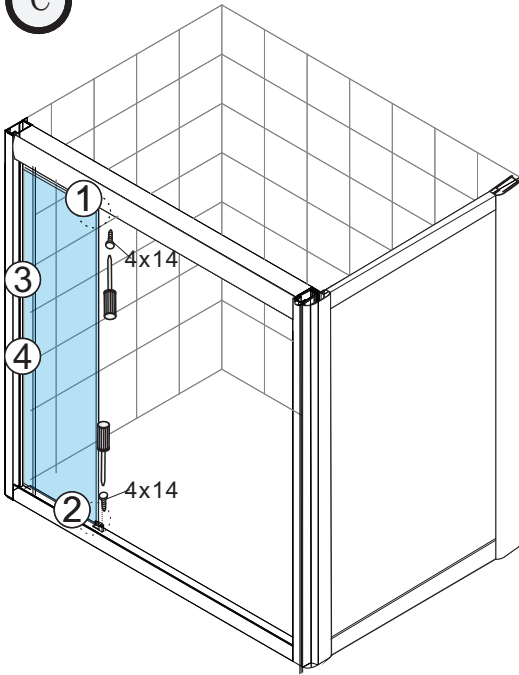


B



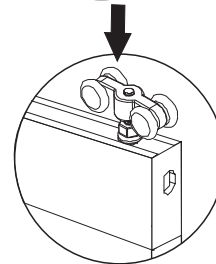
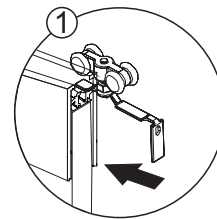
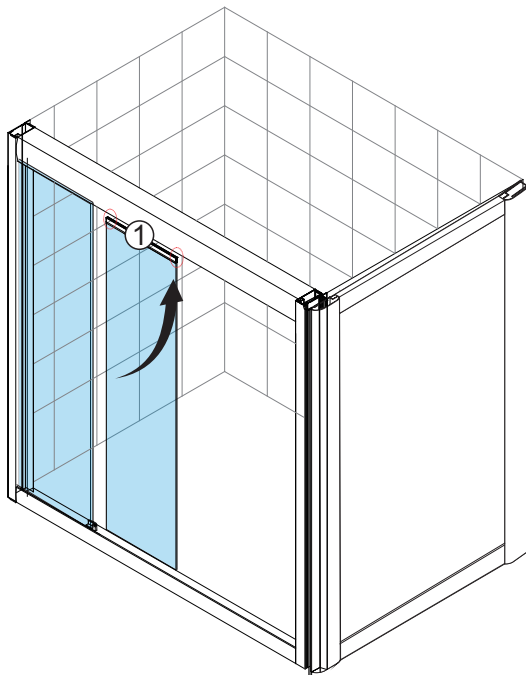
If left open, drill the hole on position A.
If right open, drill the hole on position B.

C

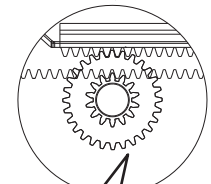
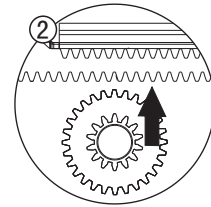
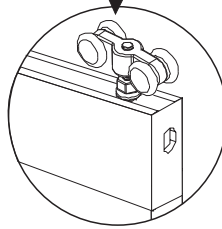
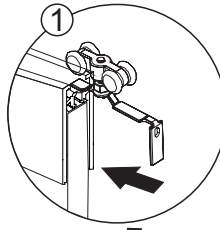
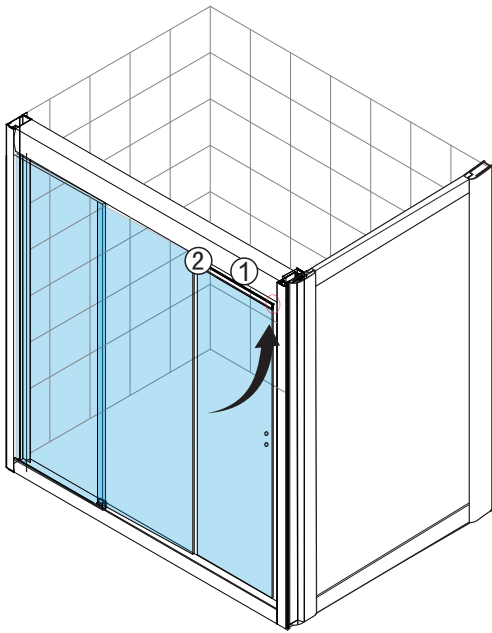


View from inside

Step 4

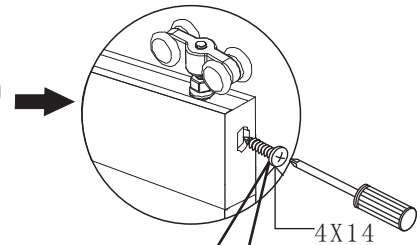
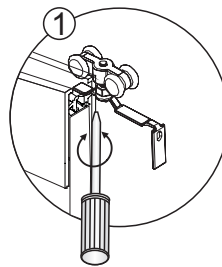
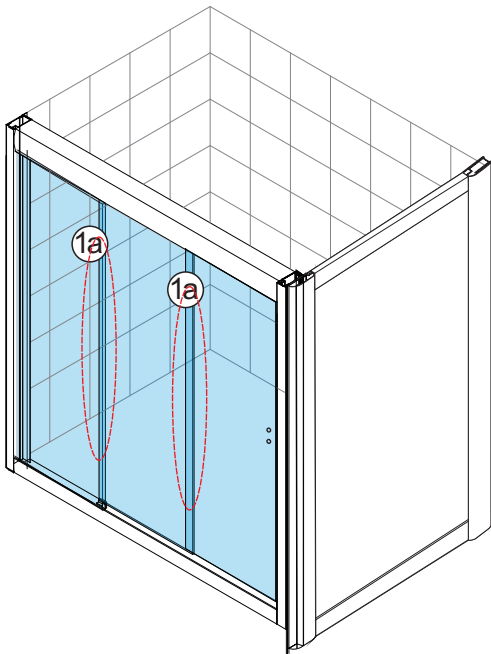


Step 5

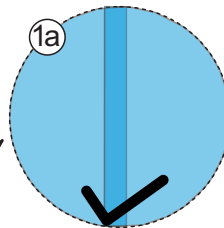
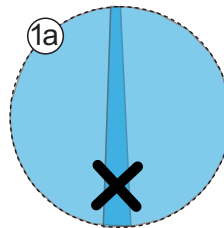


⚠ Put the gear wheel on rack;
Adjust make sure open and close smooth.

Step 6

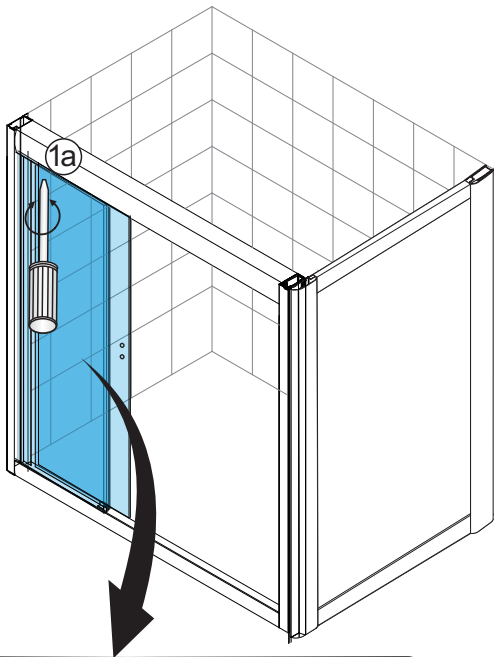


⚠ Adjust the galss parallel and 90° to floor, tight up M4*14screw.



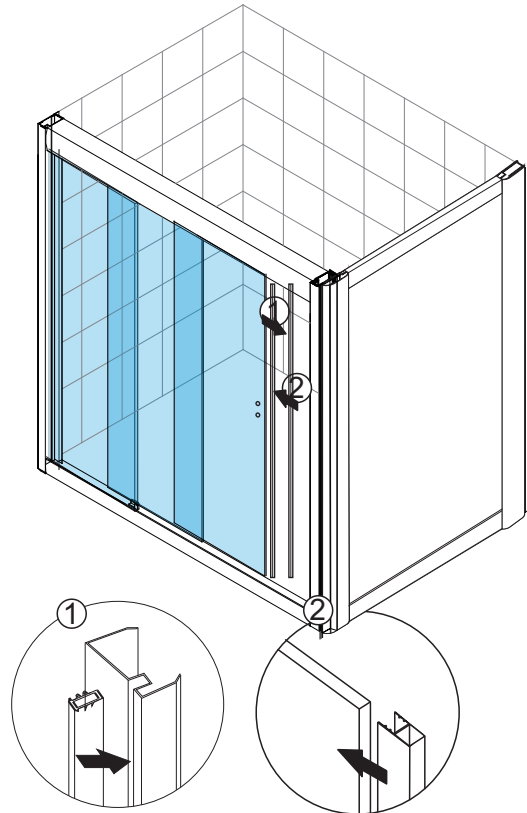
⚠ Adjust screws to make the glass parallel and 90 to floor.

Step 7

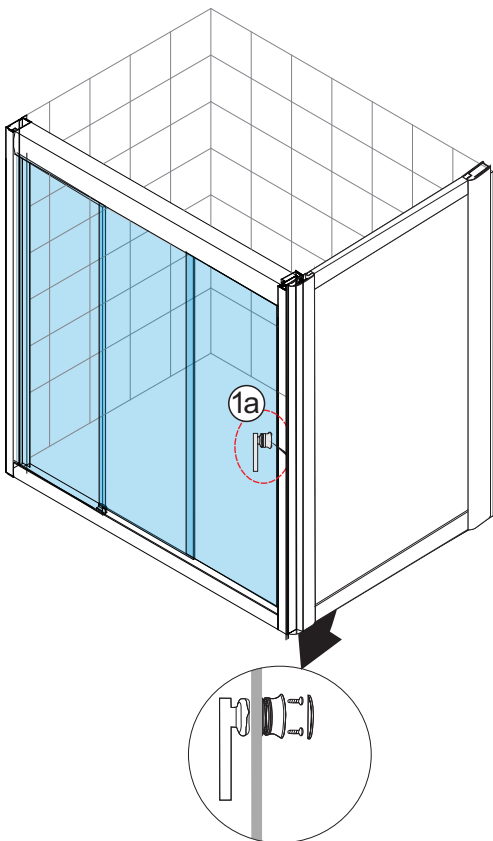


⚠ Adjust the door opening in right size, position the stoper.

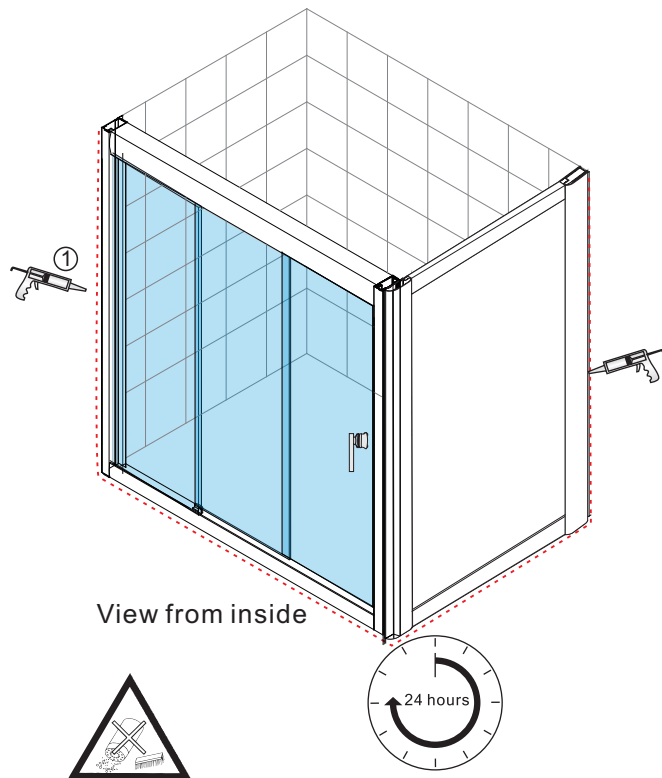
Step 8



Step 9



Step 10



Allow 24 hours for silicone to dry before use.