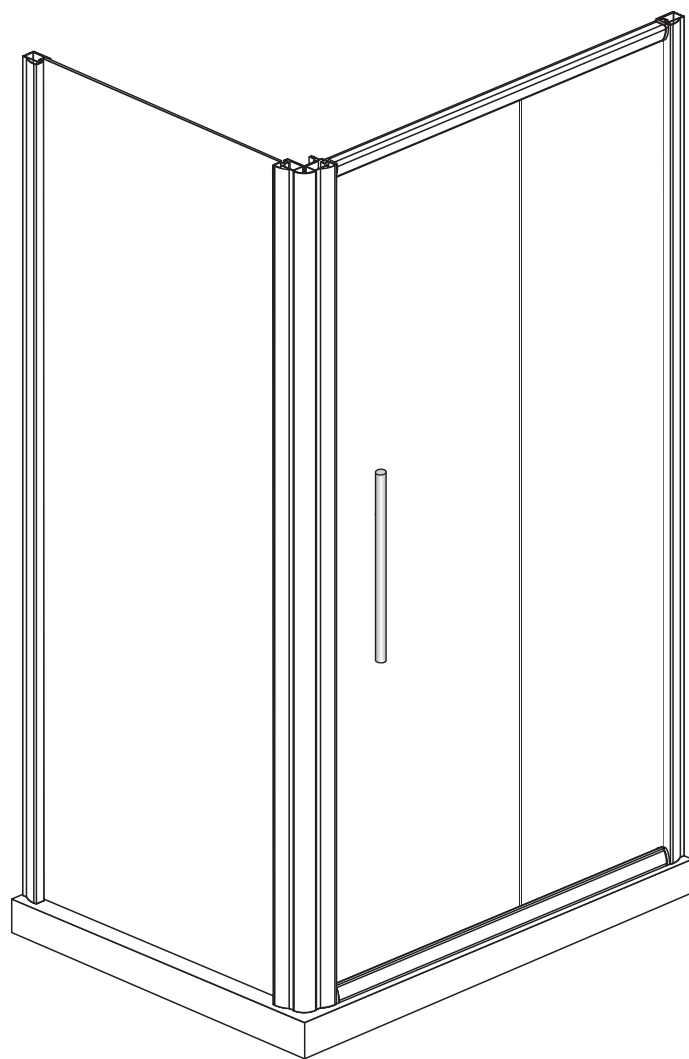


CG1231 Instruction Manual



◆ General Information

Please inspect the product immediately upon receipt for transit damage, missing packs/parts or manufacturing fault. Damage reported later cannot be accepted. Please handle the product with care avoiding knocks and shock loading to all sides and edges of the glass.

Notes: Safety glass can not be re-worked.

Please read these instructions carefully before start of installation.

Special care should be taken when drilling walls to avoid hidden pipes or electrical cables.

Note: This product is heavy and may require two people to install.

Aftercare instructions

After use, your shower should be cleaned with soap and water. This is particularly important in hard water districts where insoluble lime salts may be deposited and allowed to build up.

Cleaners of a gritty or abrasive nature should not be used. Care should be taken to avoid contact with strong chemicals such as organic solvents and strippers.

Glass cleaners can be used but with caution, if in doubt contact the manufacturer of the cleaner in question.

Please keep these instructions for aftercare and customer service details.

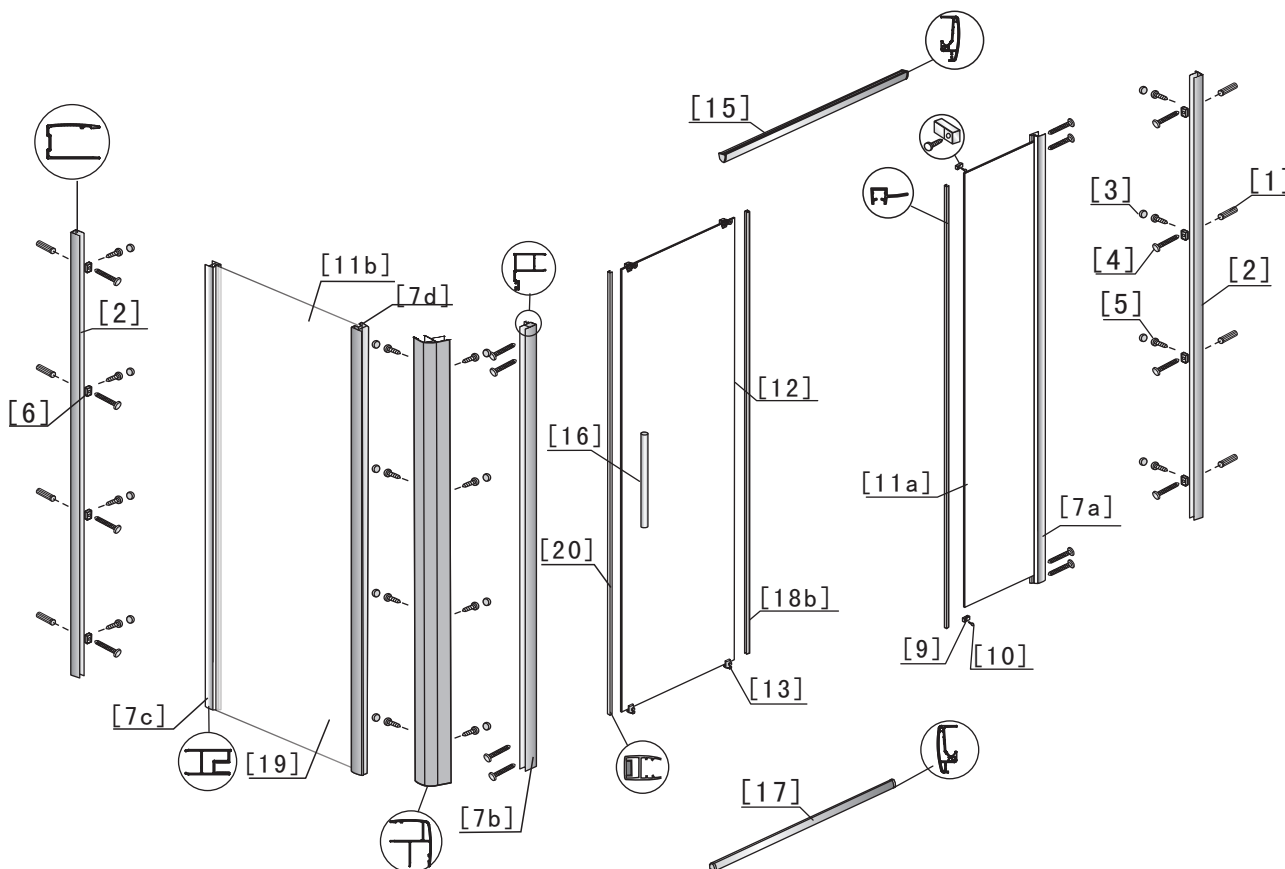
Tools Required



This product is heavy and may require two people to install.



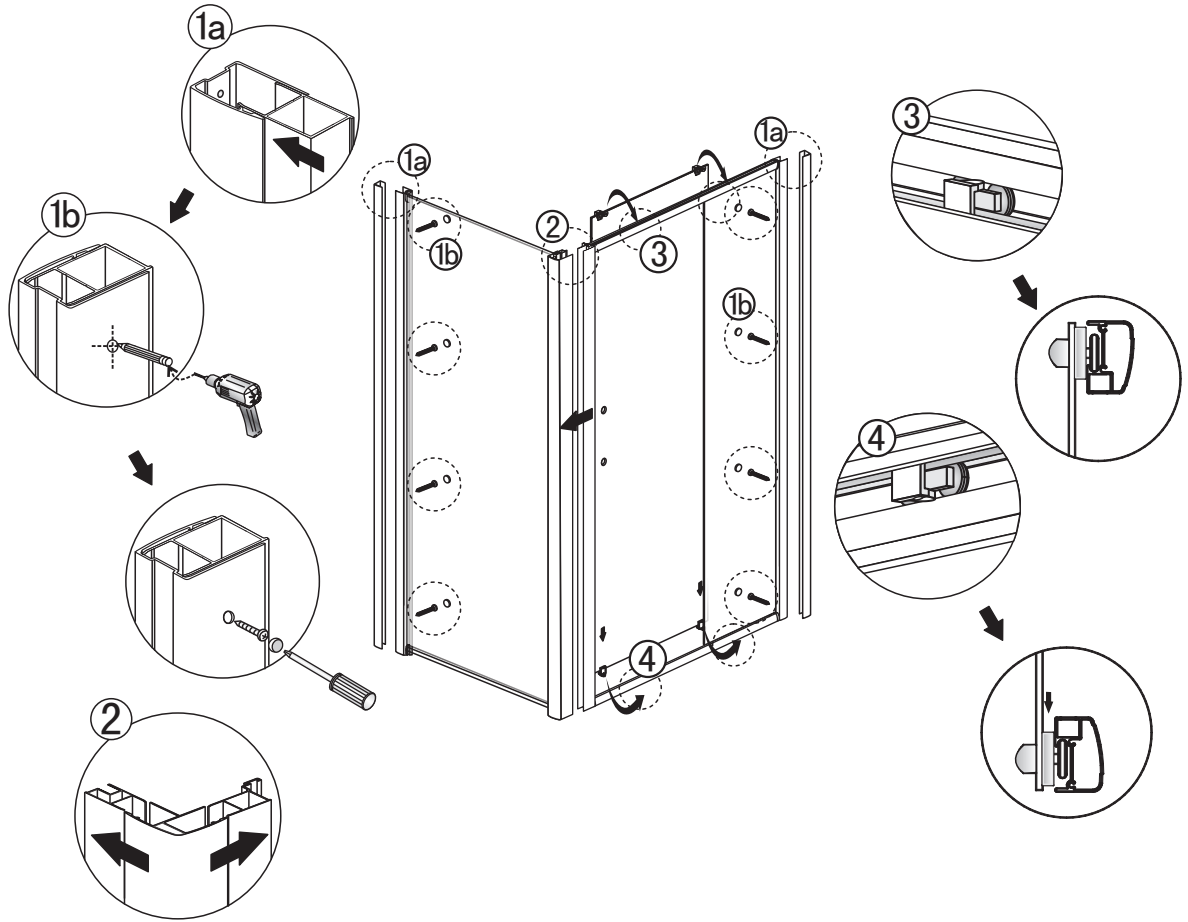
◆ Assembly Drawing



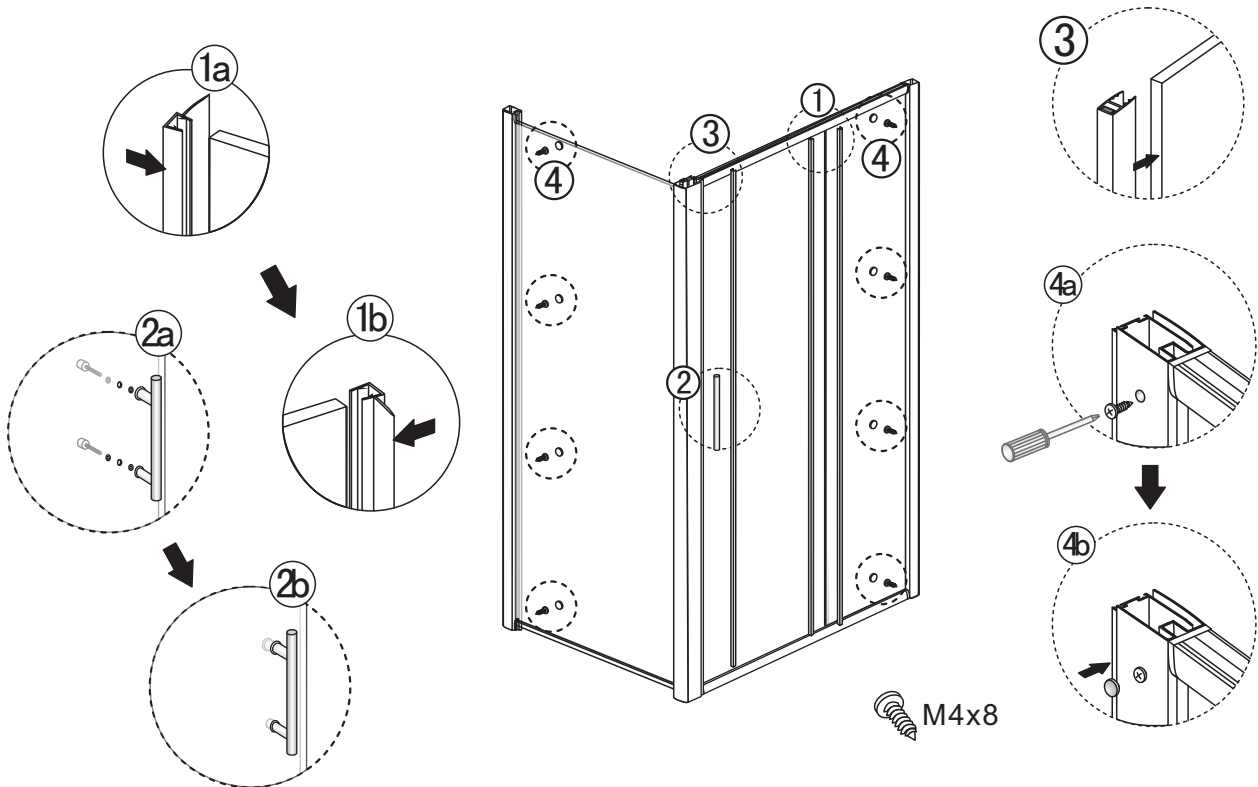
- [1] 入墙胶粒8个
- [2] 贴墙材两根
- [3] 螺丝护帽12个
- [4] M4x35自攻螺丝12个
- [5] M4x8自攻螺丝8个
- [6] 白色硬胶粒8个
- [7] 竖铝材4根 (a&b&c&d)
- [8] 堵头盖5个 (a&b&c)
- [9] 小压块2个
- [10] M4x12自攻螺丝2个

- [11] 固定门2扇 (a&b)
- [12] 活动门1扇
- [13] 下挂钩2套
- [14] 上滑轮2套
- [15] 上轨道1根
- [16] 拉手1套
- [17] 下轨道1根
- [18] 胶条4根 (a&b)
- [19] M4x25自攻螺丝4个
- [20] 磁条1根

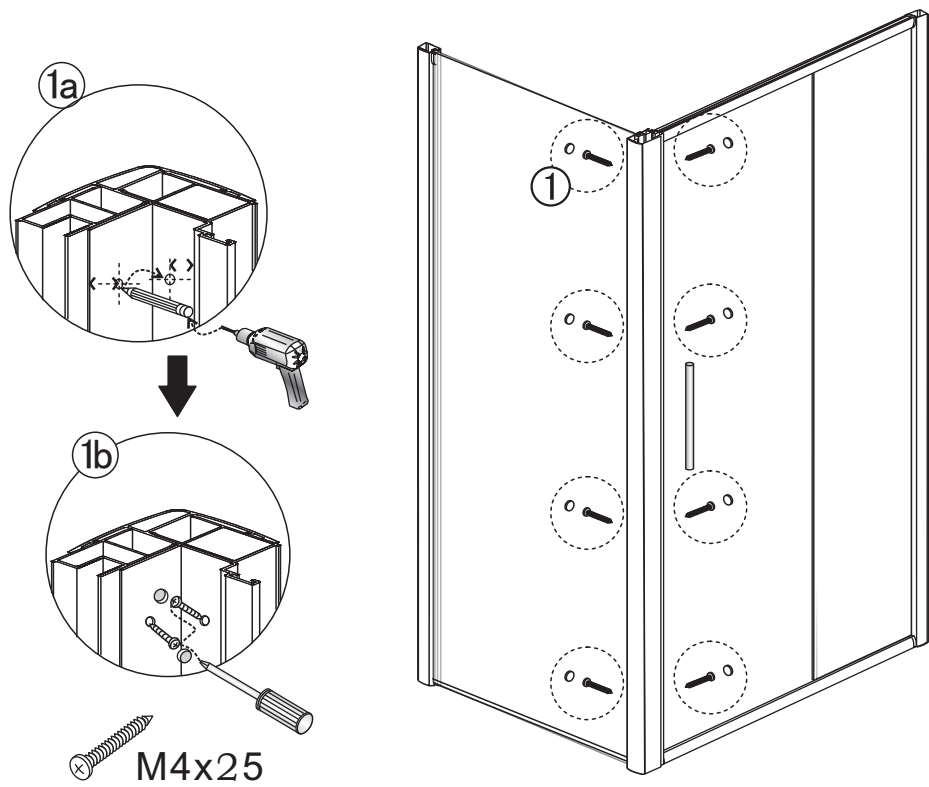
Step 3



Step 4



Step 5



Step 6

