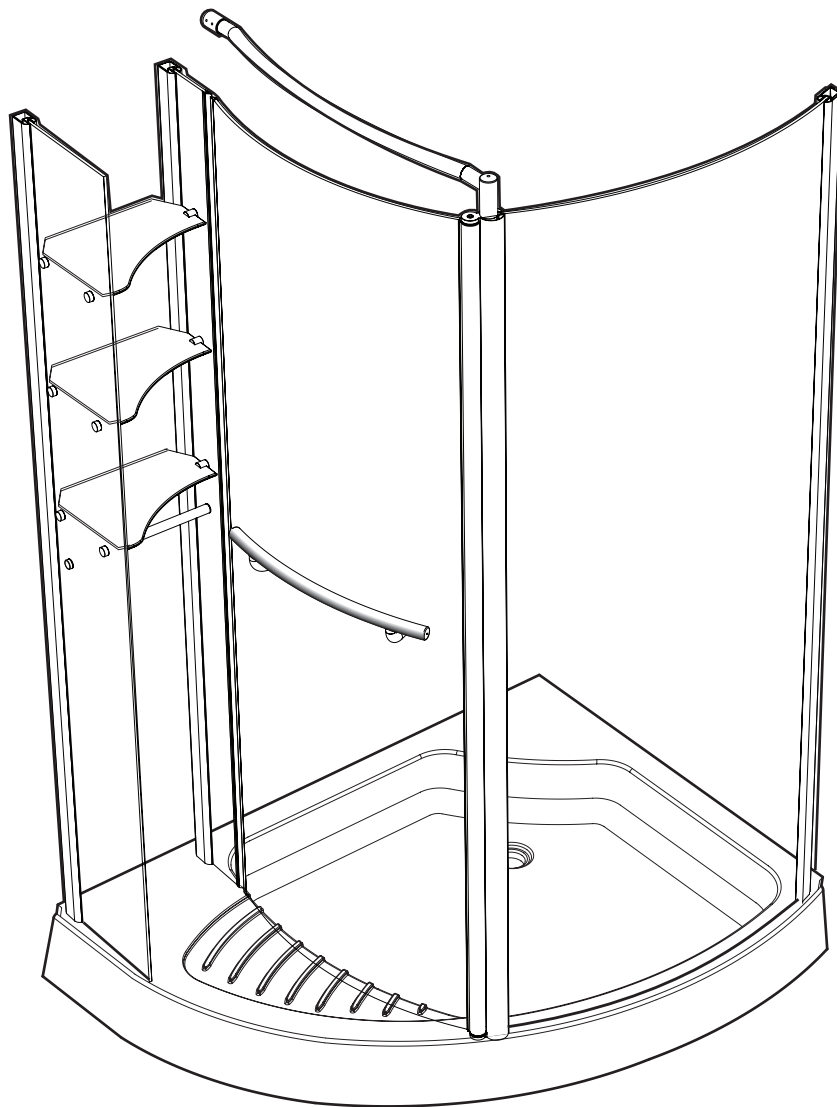


# CF5241 Instruction Manual



## ◆ General Information

Please inspect the product immediately upon receipt for transit damage, missing packs/parts or manufacturing fault. Damage reported later cannot be accepted. Please handle the product with care avoiding knocks and shock loading to all sides and edges of the glass.

### Notes: Safety glass can not be re-worked.

Please read these instructions carefully before start of installation.

Special care should be taken when drilling walls to avoid hidden pipes or electrical cables.

Note: This product is heavy and may require two people to install.

## Aftercare instructions

After use, your shower should be cleaned with soap and water. This is particularly important in hard water districts where insoluble lime salts may be deposited and allowed to build up.

Cleaners of a gritty or abrasive nature should not be used. Care should be taken to avoid contact with strong chemicals such as organic solvents and strippers.

Glass cleaners can be used but with caution, if in doubt contact the manufacturer of the cleaner in question.

Please keep these instructions for aftercare and customer service details.

---

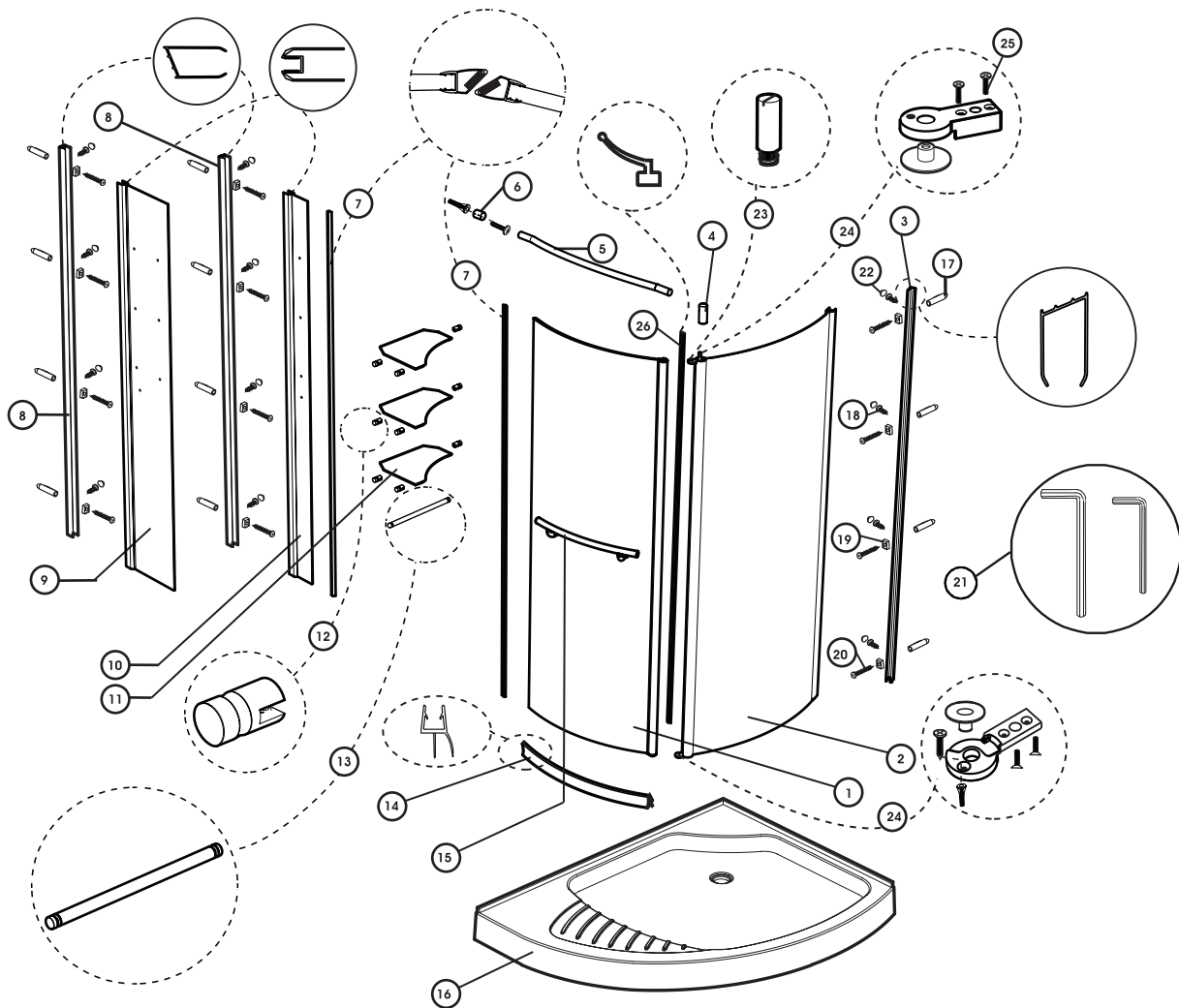
## Tools Required



**This product is heavy and may require two people to install.**



# ◆ Assembly Drawing



| Item no.in exploded drawing picture | Discription        | Q'TY | Item no.in exploded drawing picture | Discription        | Q'TY |
|-------------------------------------|--------------------|------|-------------------------------------|--------------------|------|
| 1                                   | DOOR PANEL         | 1    | 14                                  | BOTTOM DOOR GASKET | 1    |
| 2                                   | CURVED FIXED PANEL | 1    | 15                                  | SET OF HANDLE BAR  | 1    |
| 3                                   | WALL JAMB "A"      | 1    | 16                                  | BASE               | 1    |
| 4                                   | CONNECTOR          | 1    | 17                                  | WALL PLUGS         | 14   |
| 5                                   | SUPPORT BAR        | 1    | 18                                  | SCREWS M4x8        | 12   |
| 6                                   | WALL BRACKET       | 1    | 19                                  | BUMPER MOULDINGS   | 12   |
| 7                                   | MAGNET GASKET      | 2    | 20                                  | SCREWS M4x35       | 14   |
| 8                                   | WALL JAMB "B"      | 2    | 21                                  | ALLEN WRENCH       | 2    |
| 9                                   | BIG FIXED PANEL    | 1    | 22                                  | SCREW CAP CAPS     | 12   |
| 10                                  | SMALL FIXED PANEL  | 1    | 23                                  | ROD                | 1    |
| 11                                  | SHELF              | 3    | 24                                  | PIVOT SUPPORT      | 2    |
| 12                                  | SHELF HOLDERS      | 9    | 25                                  | SCREWS M4x25       | 4    |
| 13                                  | TOWEL BAR          | 1    | 26                                  | SIDE GASKET        | 1    |

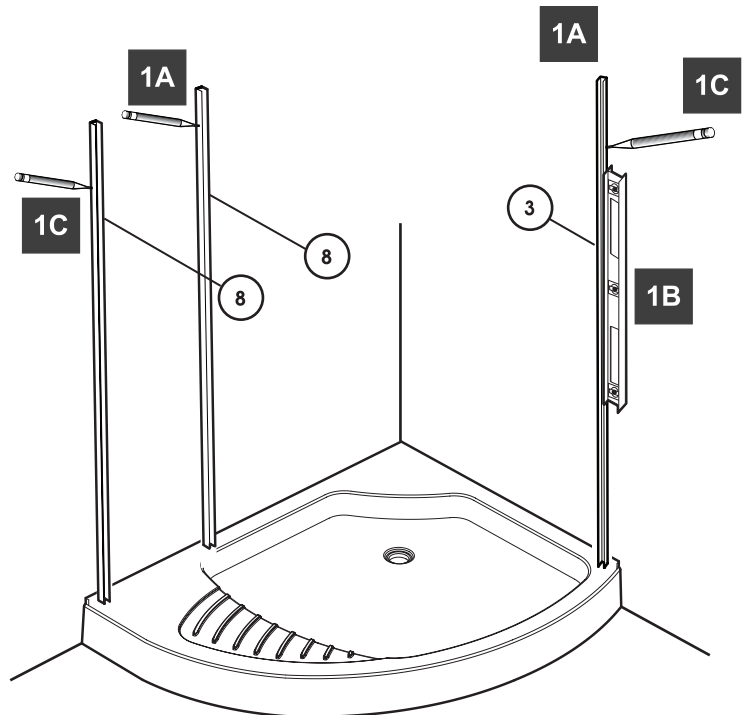
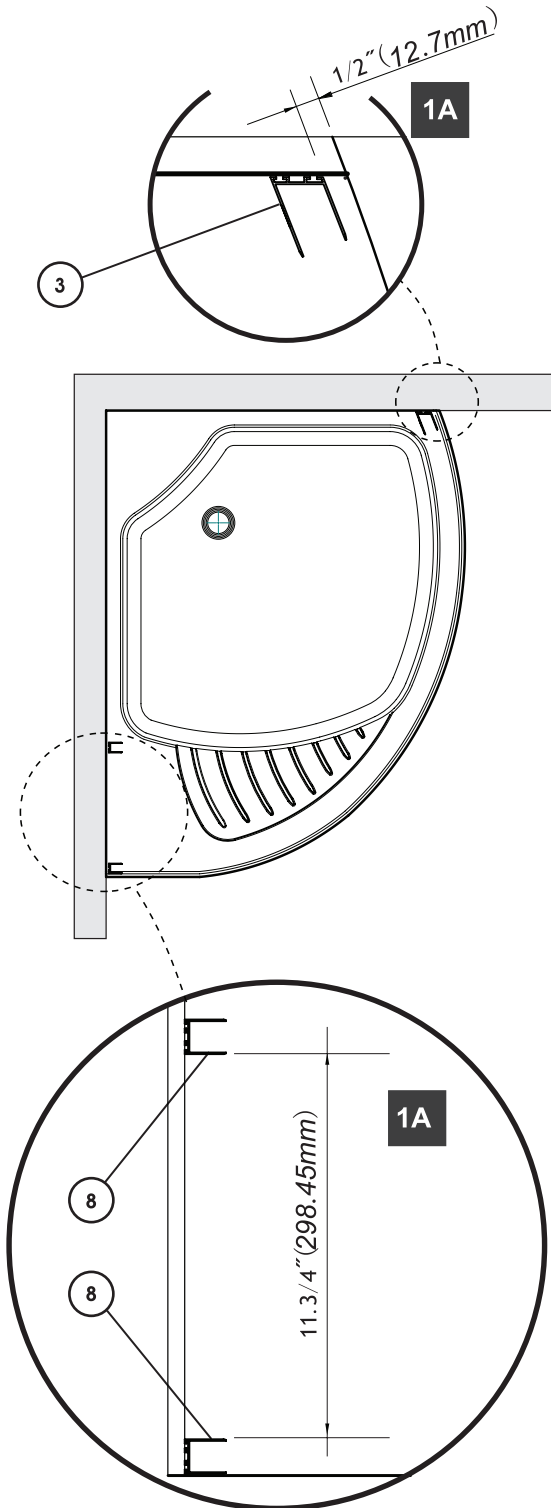
# ◆ Installation Steps

## Step 1

1A. Refer to the provided figure, position and center the wall jambs (#3 & #8) on the shower threshold.

1B. Verify wall jambs verticality using a level.

1C. Trace outer edge of wall jambs.



## Step 2

2A. Reposition the wall jamba "A" (#3) on the shower threshold.

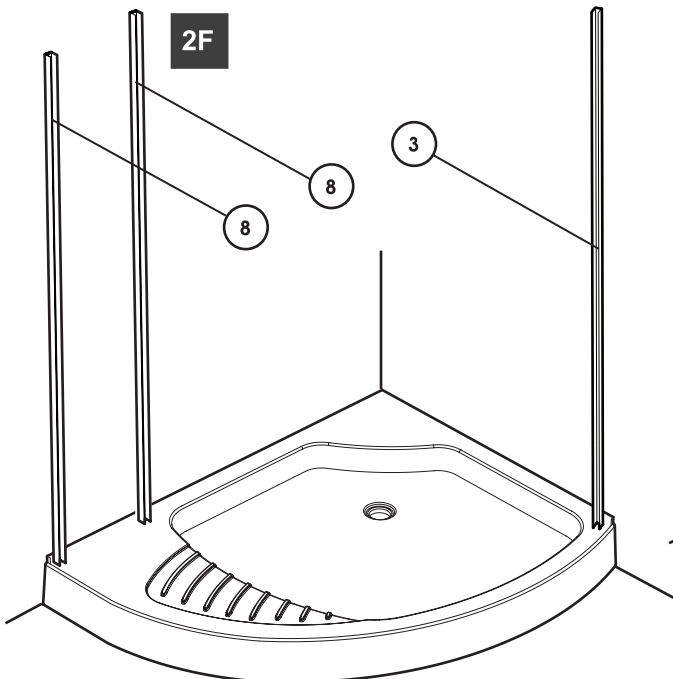
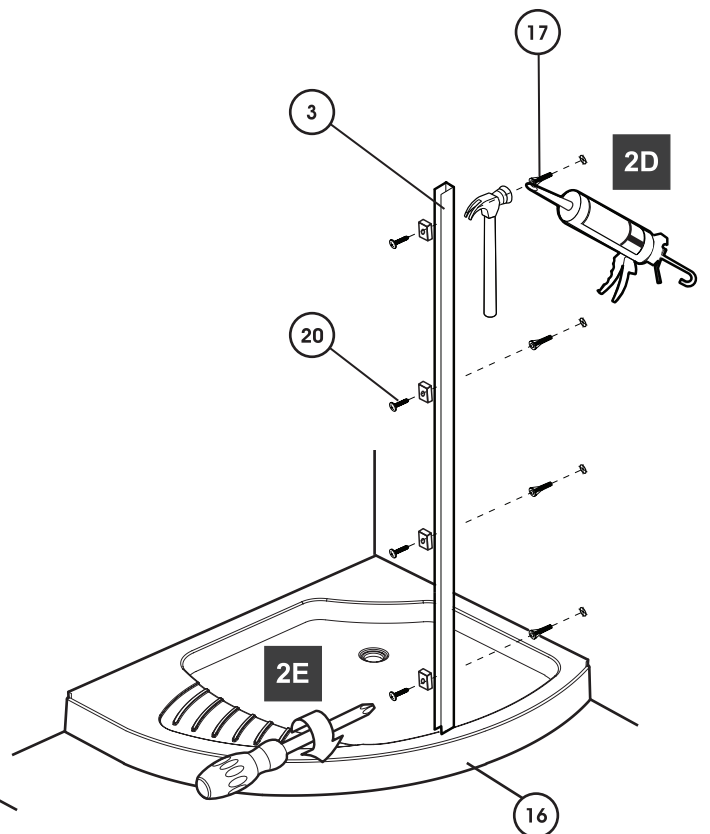
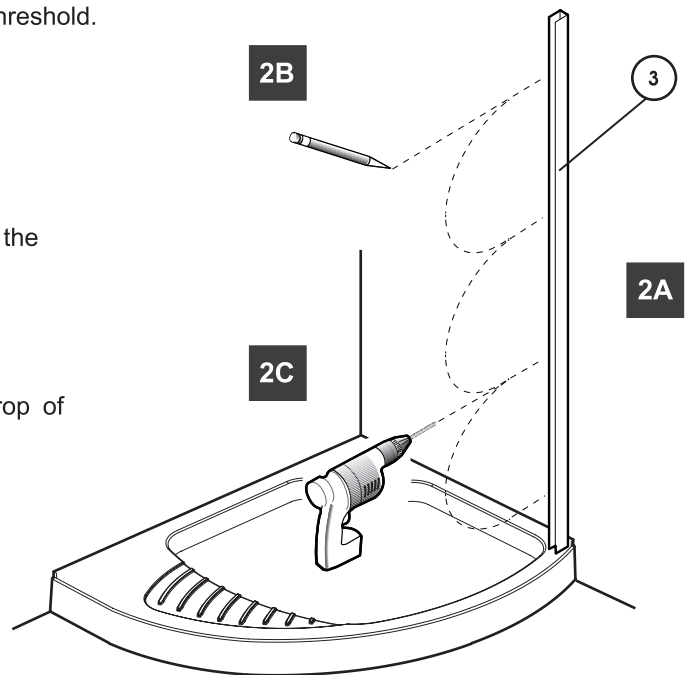
2B. Mark drilling location.

2C. With a 1/4" drill bit, drill 4 holes into the wall using the marks as a guide

2D. Insert 4 wall plugs (#17) and put in each a drop of silicone.

2E. Secure the wall jamb "A" (#3) using the 1 3/8" screws (#20).

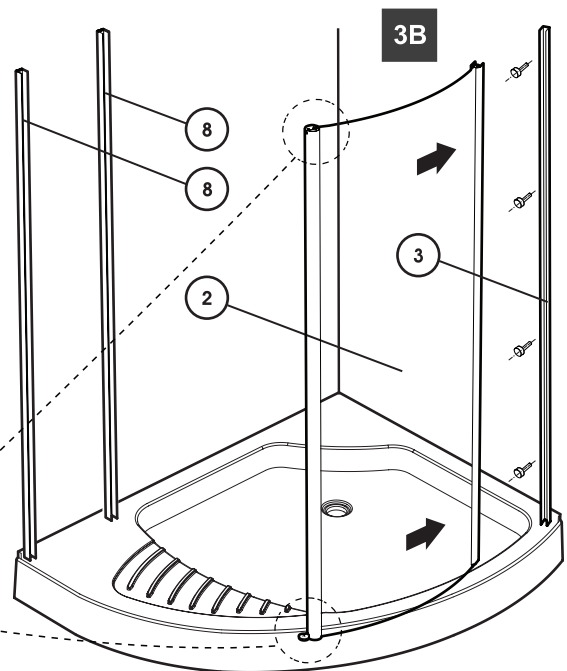
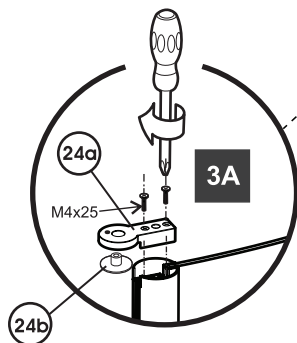
2F. Repeat step 2 for the wall jamb "B" (#8).



## Step 3

3A. Insert the pivot support(#24)door into fixed panel, (top and bottom of the panel). Tighten screw (#25) lightly permit door panel assembly. (only on the top panel).

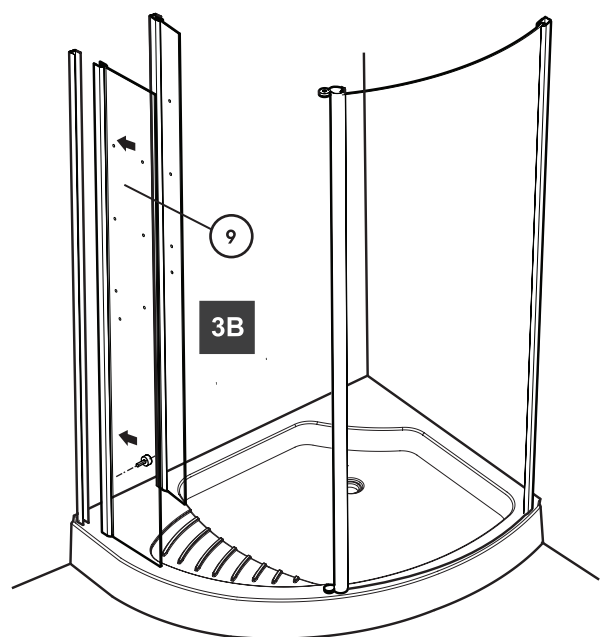
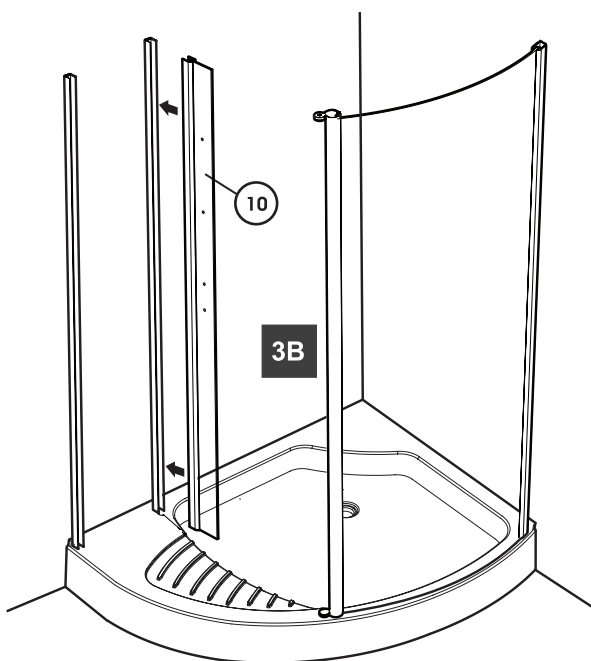
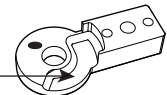
3B. Insert fixed panels(#2, #9, #10)into wall jambs(#3, #8x2).



NOTICE: Location of the drain of the pivot support(#24) into the inside of the shower door.



drain

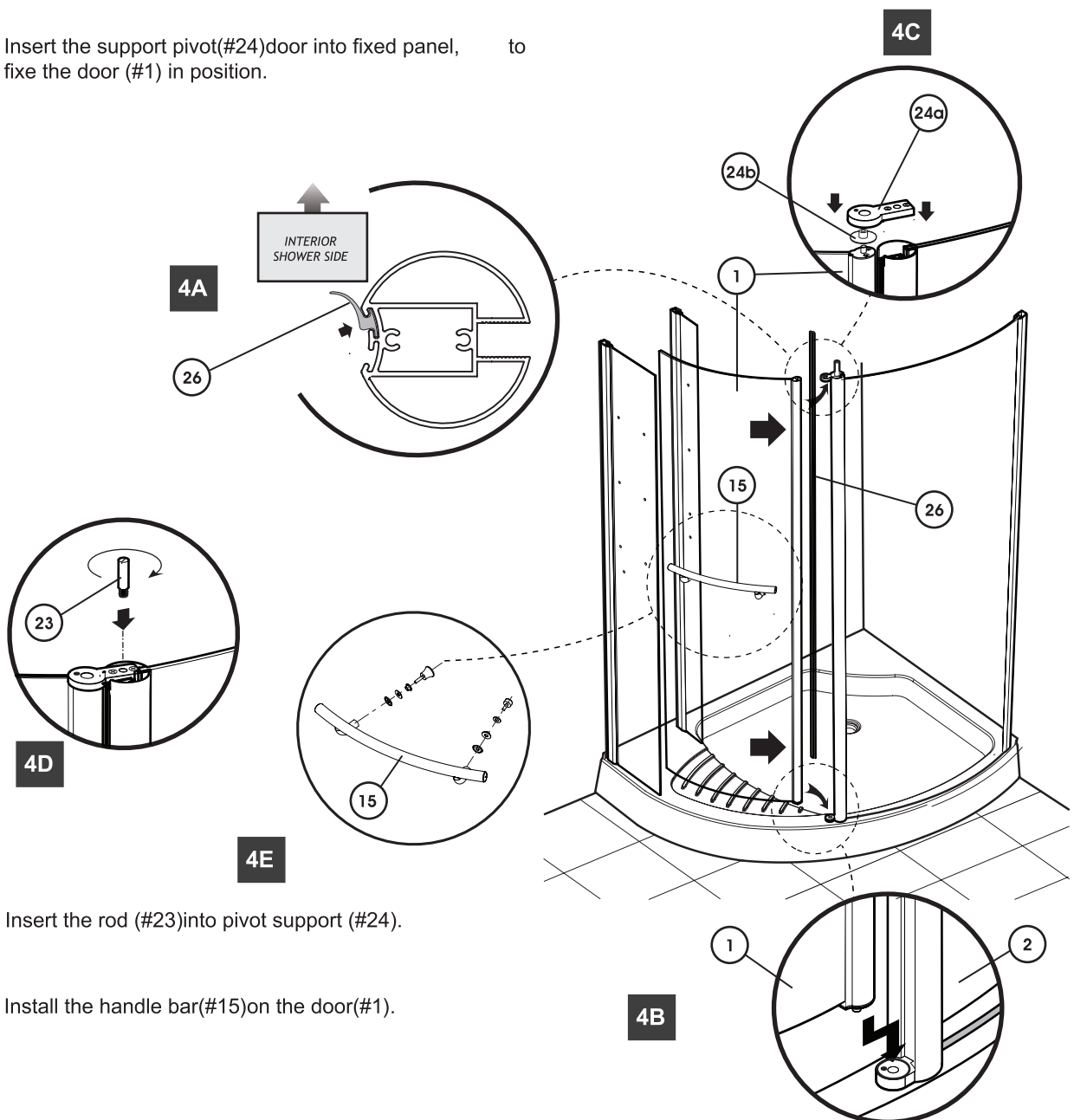


## Step 4

4A. Insert the side gasket (#26) into existing profil of the fixed panel.

4B. Insert the door (#1) into existing pivot support .

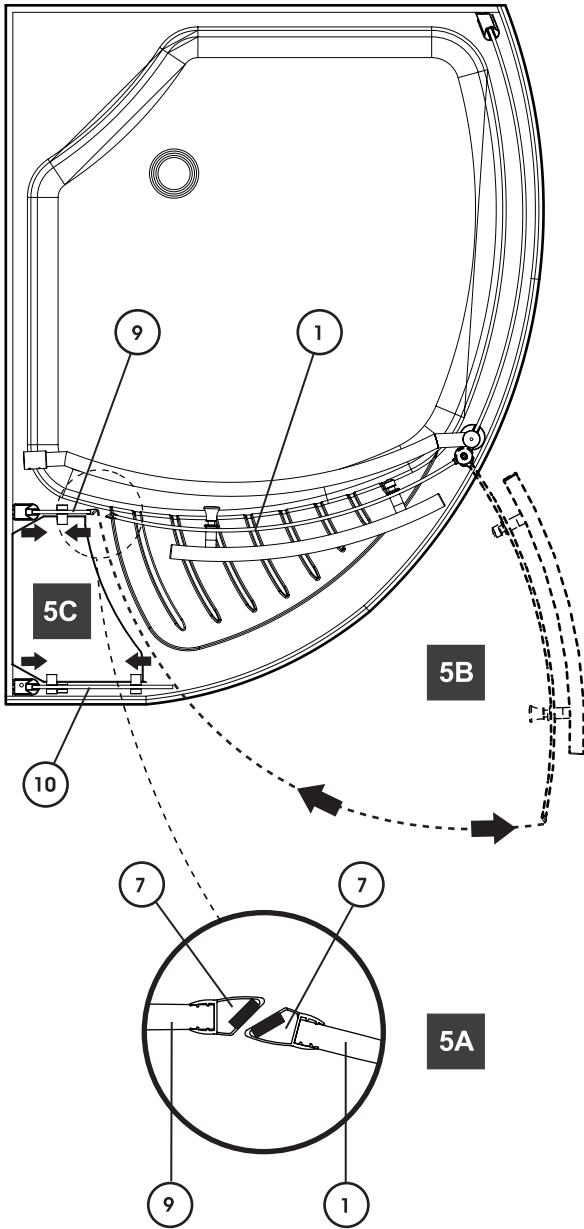
4C. Insert the support pivot(#24)door into fixed panel, to fixe the door (#1) in position.



4D. Insert the rod (#23)into pivot support (#24).

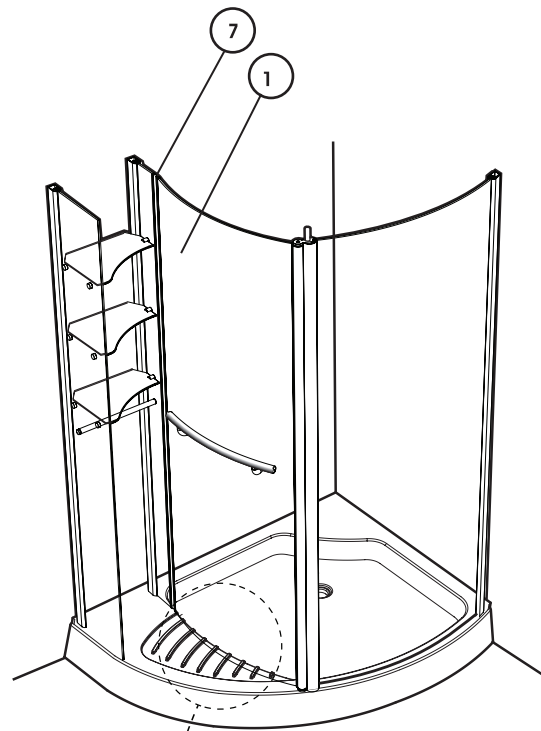
4E. Install the handle bar(#15)on the door(#1).

# Step 5



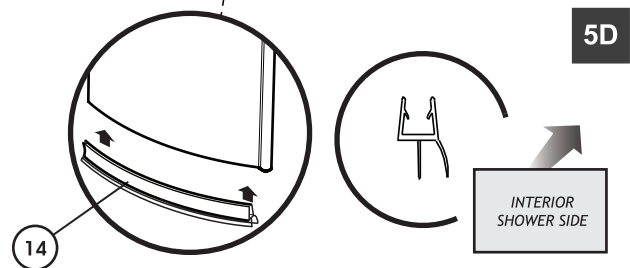
5A. Insert magnetic gasket (#7) into fixed panels(#10) and door(#1).

5B. Verify rotation door.



5C. Adjust in consequence the fixed panels (#9 & #10).

5D. Insert bottom gasket (#14) into the door(#1).





## Step 6

6A. Insert connector (#4) into the rod (#23).

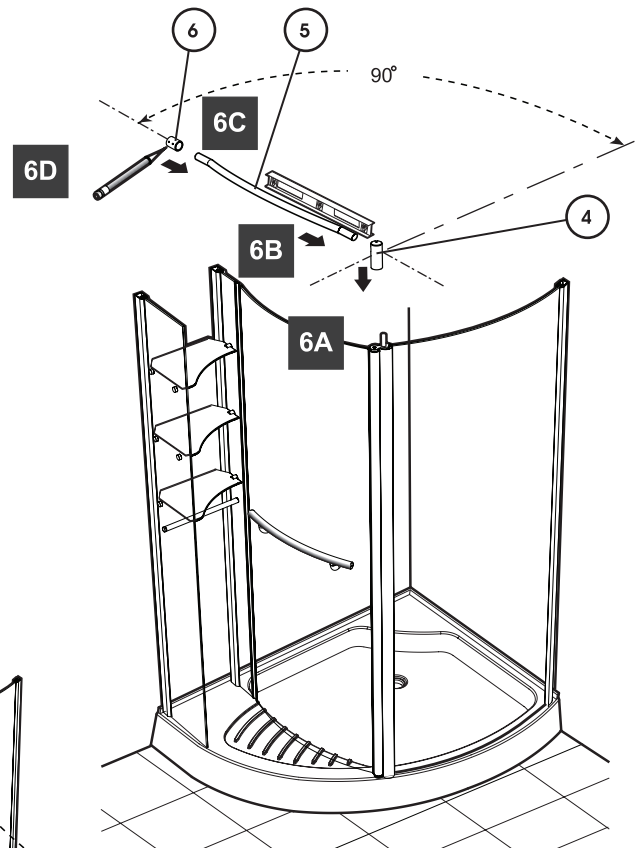
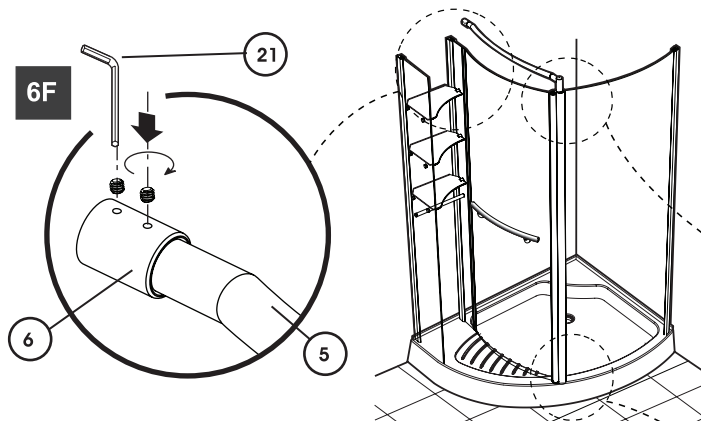
6B. Insert temporarily the adjustment bar(#5)into connector(#4)

6C. Insert temporarily the wall braket(#6)into adjusting bar(#5).

6D. Mark drilling location.

6E. Secure the connector (#4).

6F. Secure the wall bracket (#6).



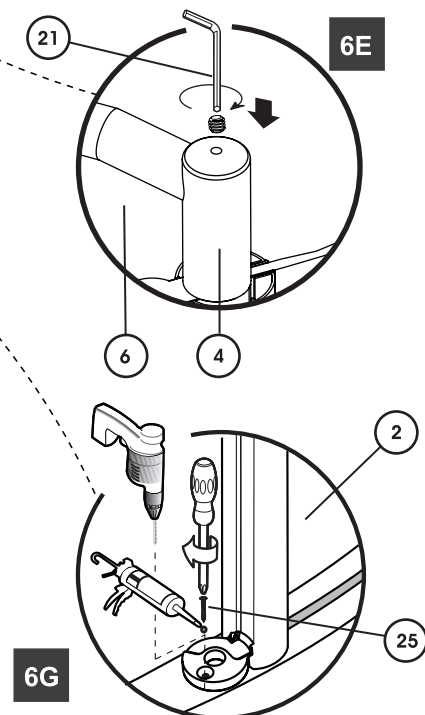
6G. Remove door panel.

Using a drill bit  $\text{Ø}1/16''$  into the base through the pivot support.

Put a bead of silicon inside the hole.

Screw in the provided retainer piece.

Put back door panel.

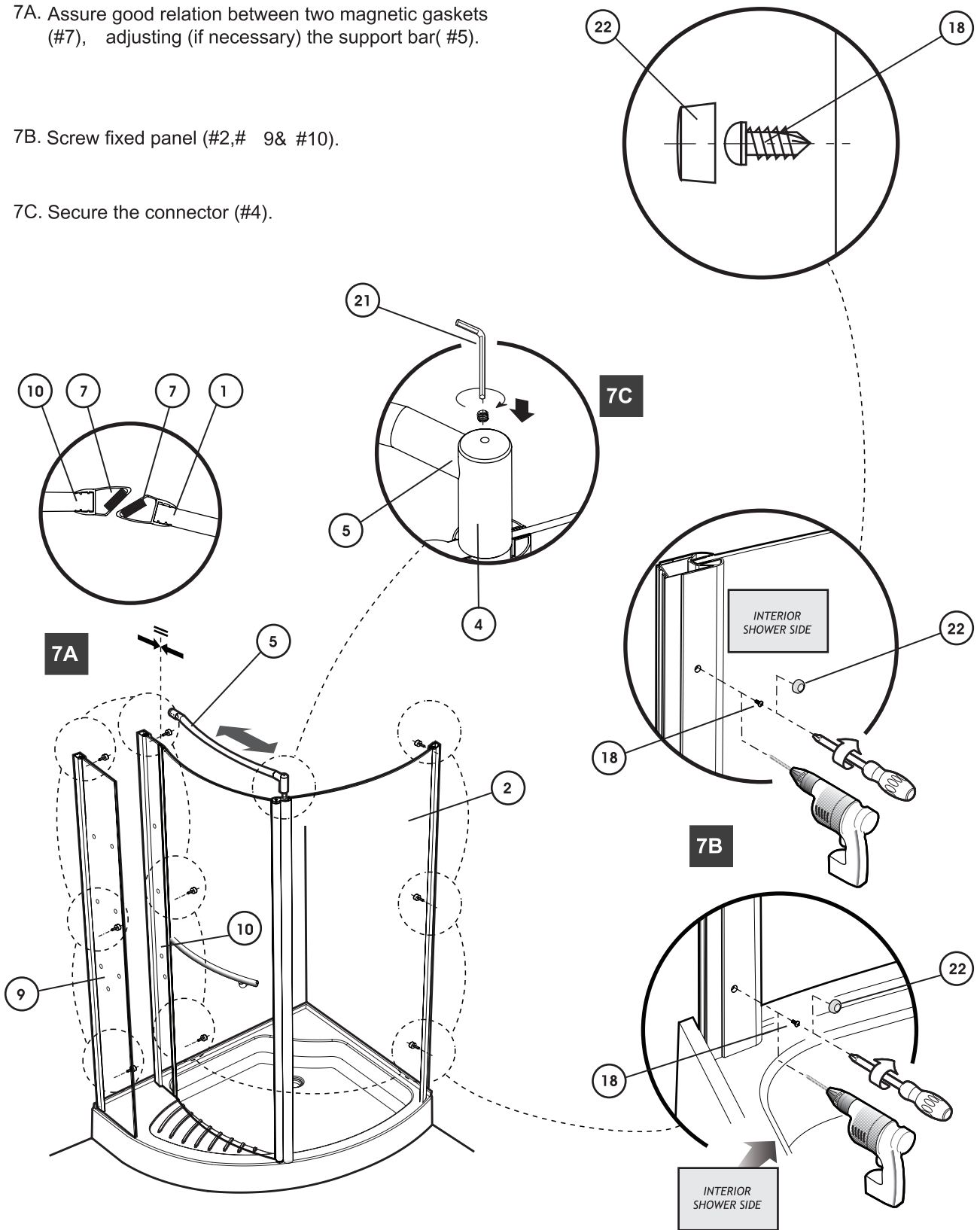


# Step 7

7A. Assure good relation between two magnetic gaskets (#7), adjusting (if necessary) the support bar (#5).

7B. Screw fixed panel (#2, #9 & #10).

7C. Secure the connector (#4).



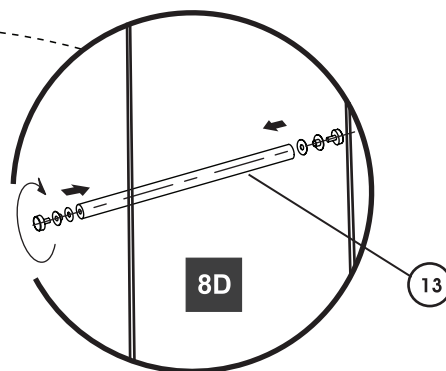
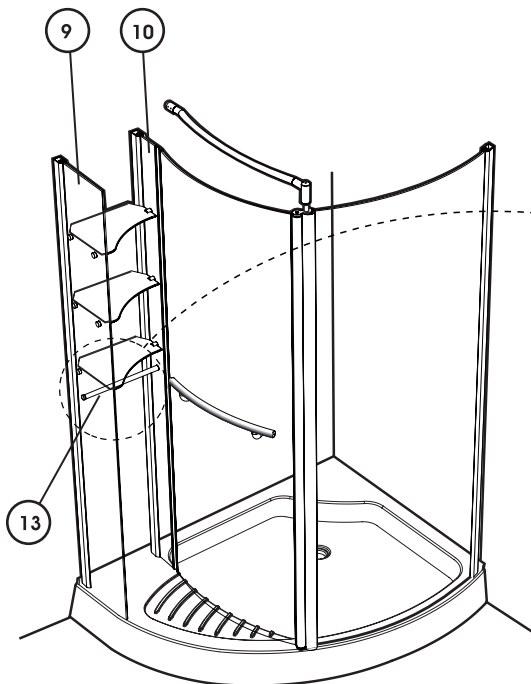
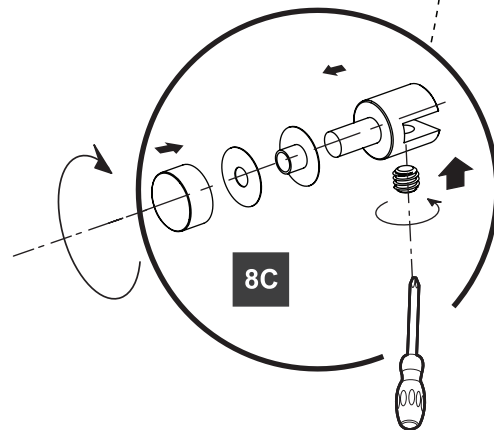
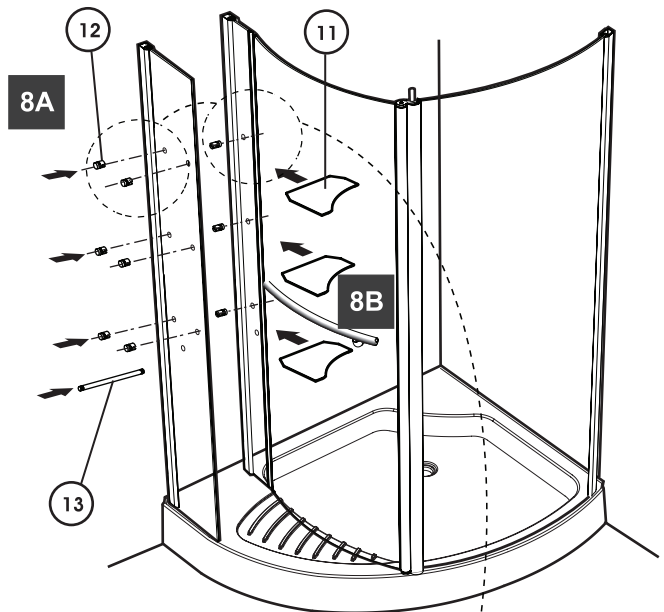
## Step 8

8A. Insert shelf holders (#12) between the fixed panels.(#9,#10).

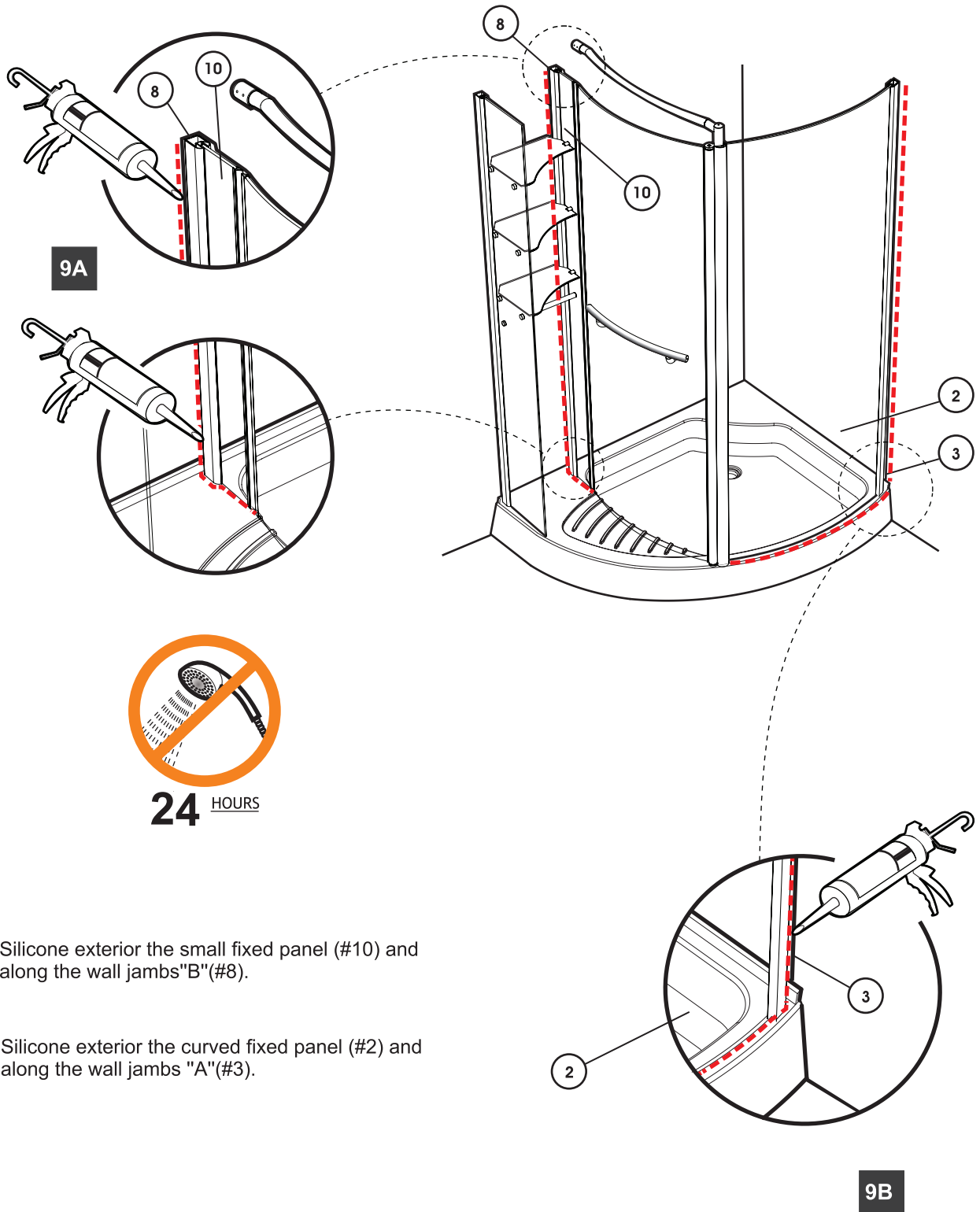
8B. Insert shelf (#11) between two fixed panel.

8C. Tighten the shelf holders.

8D. Install towel bar (#13).



## Step 9



9A. Silicone exterior the small fixed panel (#10) and along the wall jamb "B" (#8).

9B. Silicone exterior the curved fixed panel (#2) and along the wall jamb "A" (#3).