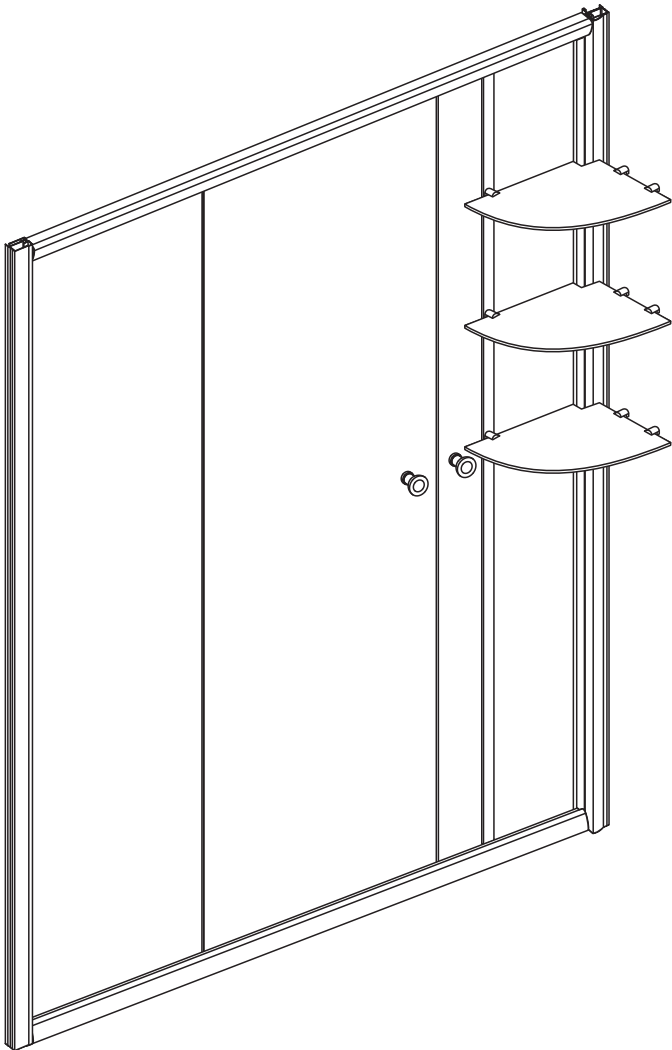


# CD6132Z2 Instruction Manual



## ◆ General Information

Please inspect the product immediately upon receipt for transit damage, missing packs/parts or manufacturing fault. Damage reported later cannot be accepted. Please handle the product with care avoiding knocks and shock loading to all sides and edges of the glass.

### **Notes: Safety glass can not be re-worked.**

Please read these instructions carefully before start of installation.

Special care should be taken when drilling walls to avoid hidden pipes or electrical cables.

Note: This product is heavy and may require two people to install.

## Aftercare instructions

After use, your shower should be cleaned with soap and water. This is particularly important in hard water districts where insoluble lime salts may be deposited and allowed to build up.

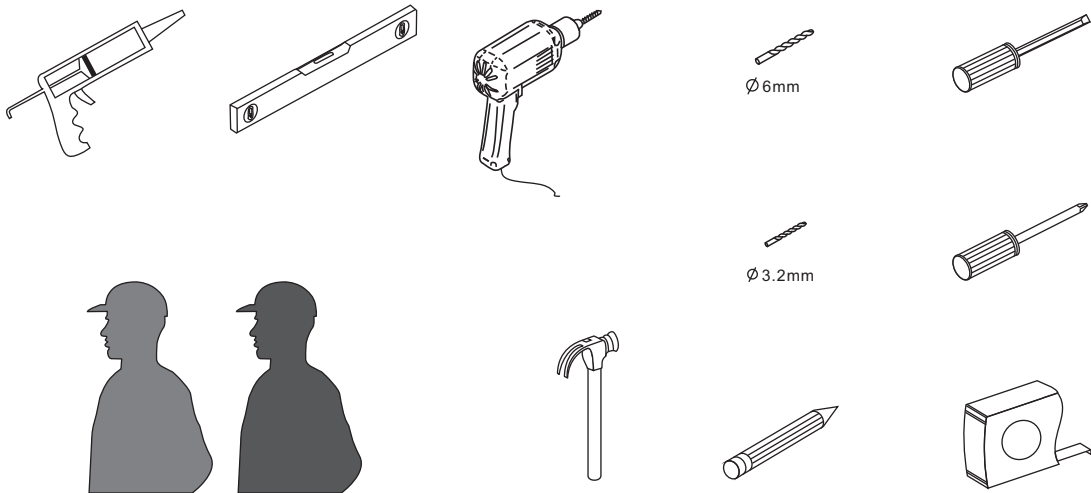
Cleaners of a gritty or abrasive nature should not be used. Care should be taken to avoid contact with strong chemicals such as organic solvents and strippers.

Glass cleaners can be used but with caution, if in doubt contact the manufacturer of the cleaner in question.

Please keep these instructions for aftercare and customer service details.

---

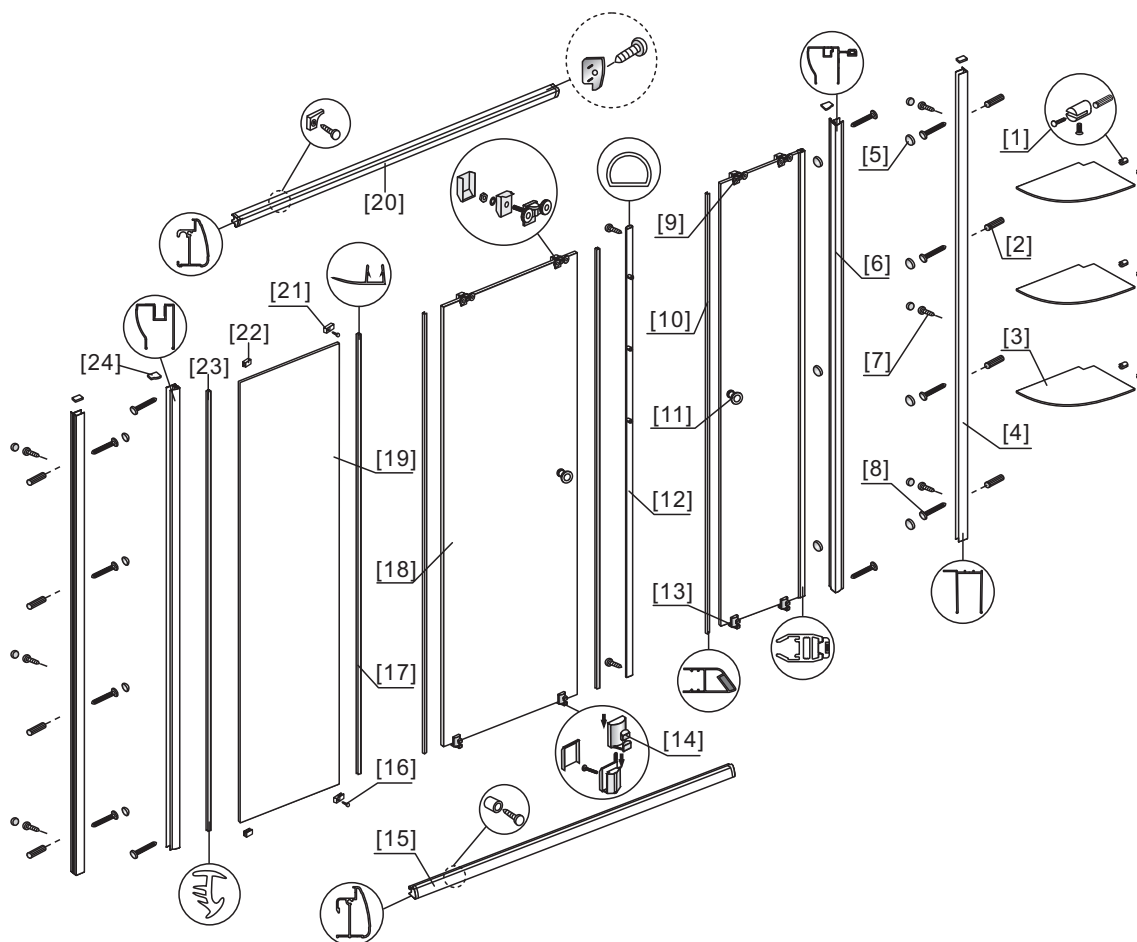
## Tools Required



**This product is heavy and may require two people to install.**



## ◆ Assembly Drawing

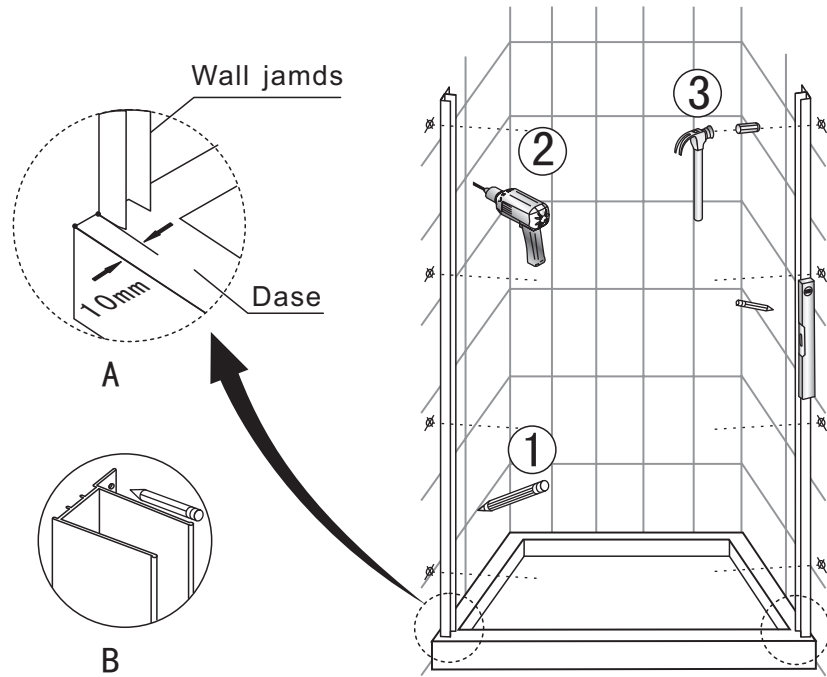


- [1] 墙接头6套
- [2] 入墙胶粒8个
- [3] 置物架玻璃3片
- [4] 靠墙材2根
- [5] 螺丝盖帽17个
- [6] 铝材2根
- [7] M4x8自攻螺丝8个
- [8] M4x35自攻螺丝8个
- [9] 上滑轮4套
- [10] 磁条2根
- [11] 拉手2套
- [12] 置物架铝材1根

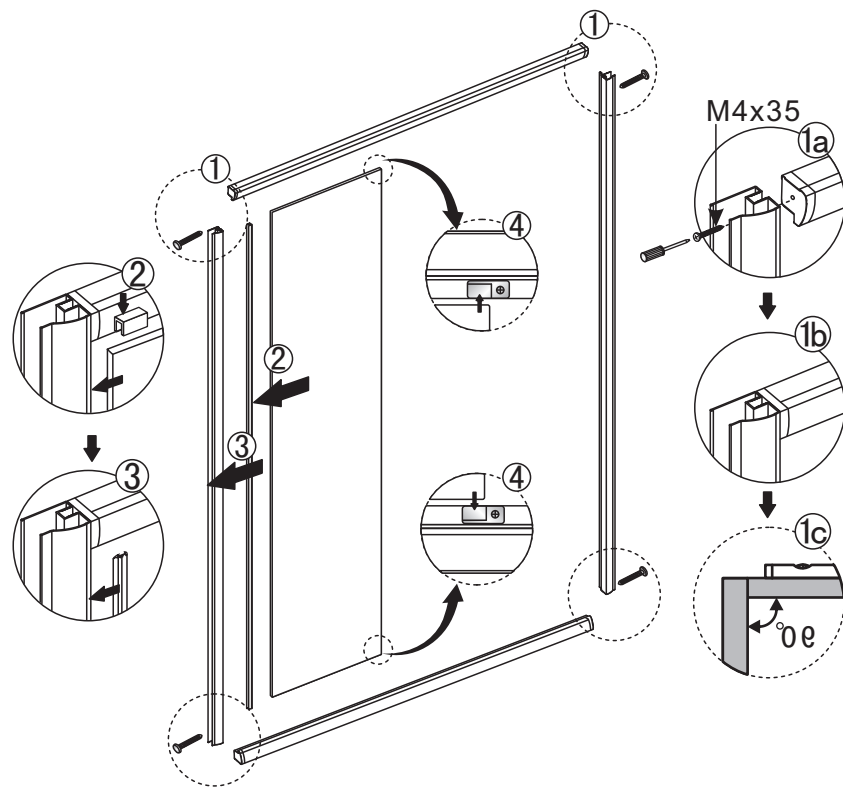
- [13] 下挂钩4套
- [14] 斜帽4个
- [15] 下轨道1根
- [16] M4x14自攻螺丝2个
- [17] 门侧挡水胶条2根
- [18] 活动门2扇
- [19] 固定扇1扇
- [20] 上轨道1根
- [21] 小压块2个
- [22] 小“U”槽2个
- [23] 胶条1根
- [24] 堵头盖4个

# ◆ Installation Steps

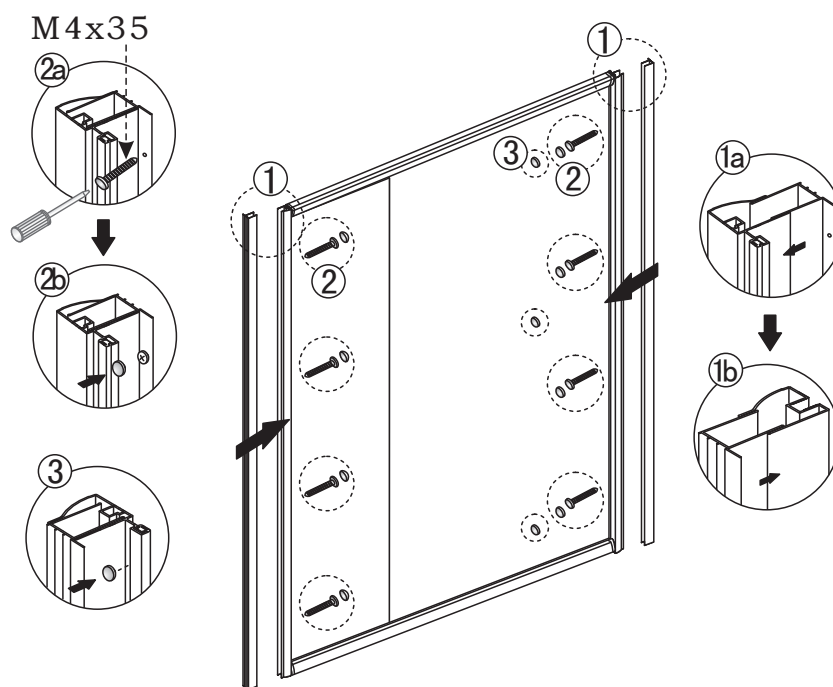
## Step 1



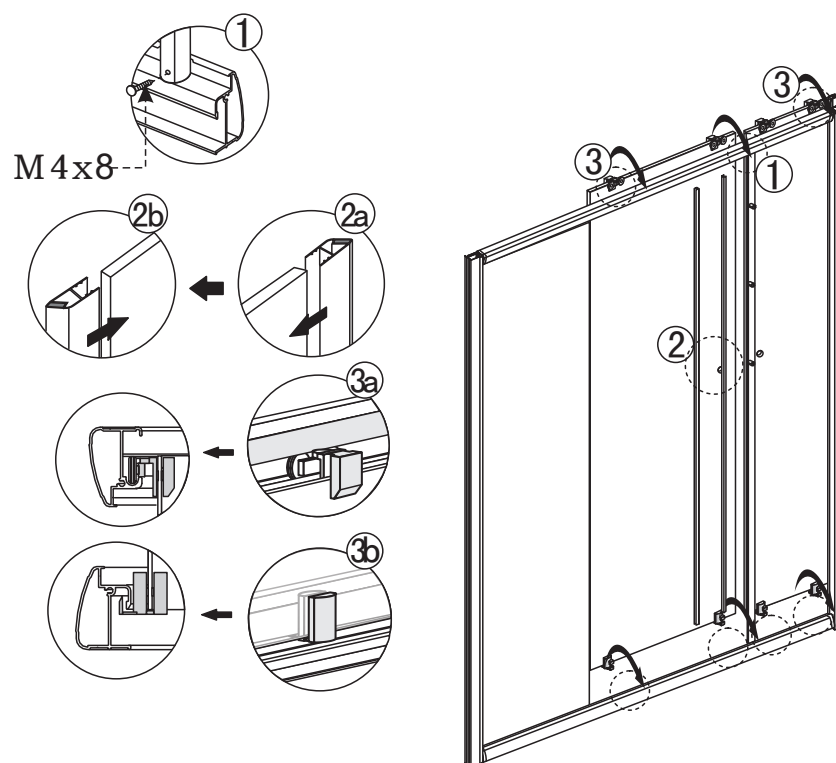
## Step 2



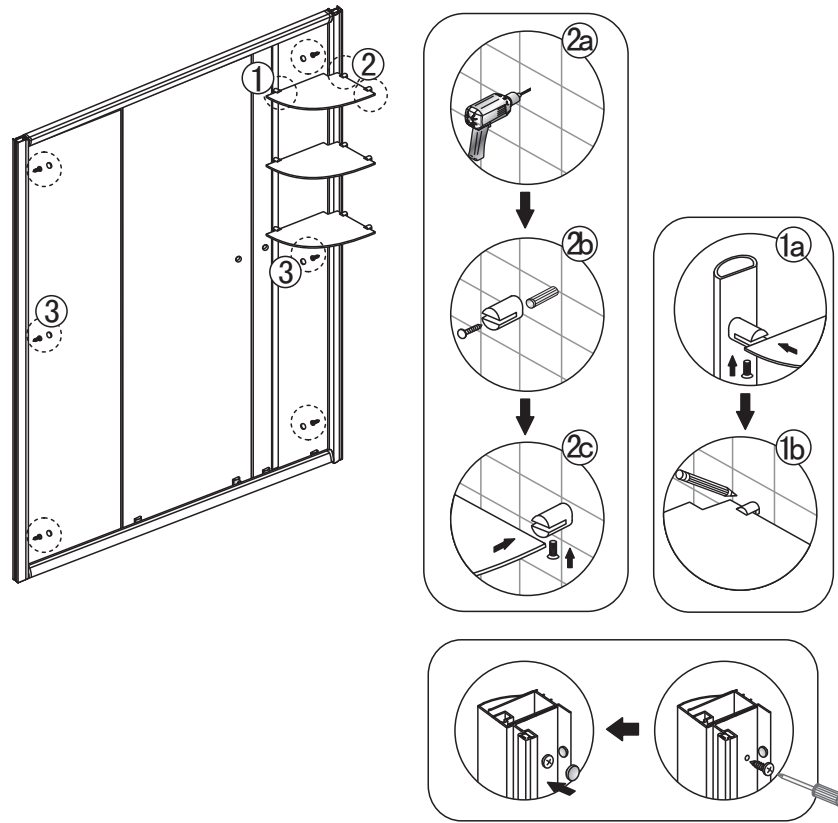
### Step 3



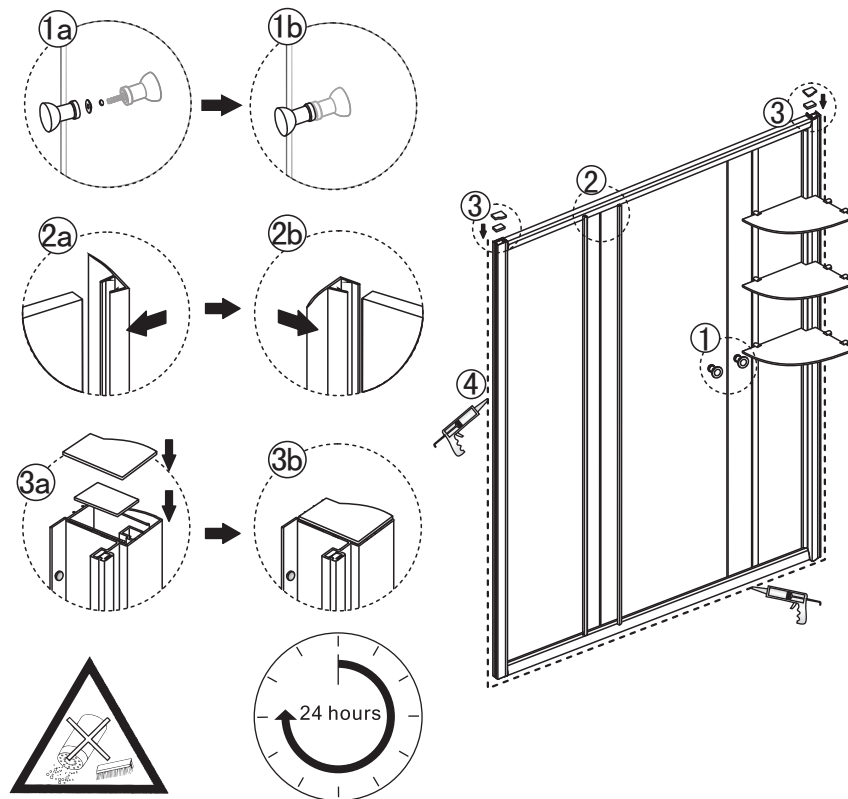
### Step 4



## Step 5



## Step 6



Allow 24 hours for silicone to dry before use.