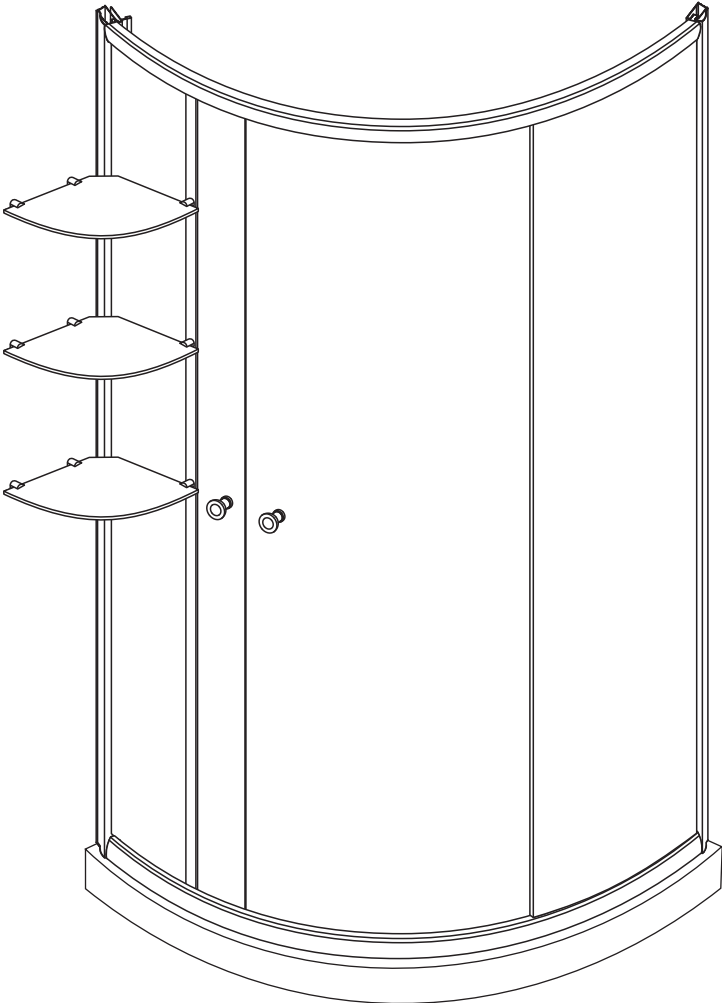


CD4132Z2 Instruction Manual



◆ General Information

Please inspect the product immediately upon receipt for transit damage, missing packs/parts or manufacturing fault. Damage reported later cannot be accepted. Please handle the product with care avoiding knocks and shock loading to all sides and edges of the glass.

Notes: Safety glass can not be re-worked.

Please read these instructions carefully before start of installation.

Special care should be taken when drilling walls to avoid hidden pipes or electrical cables.

Note: This product is heavy and may require two people to install.

Aftercare instructions

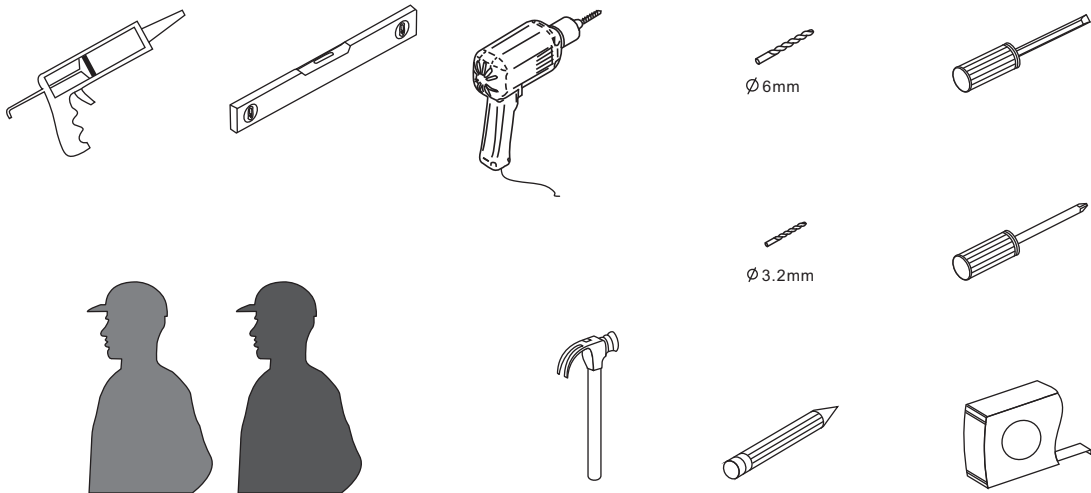
After use, your shower should be cleaned with soap and water. This is particularly important in hard water districts where insoluble lime salts may be deposited and allowed to build up.

Cleaners of a gritty or abrasive nature should not be used. Care should be taken to avoid contact with strong chemicals such as organic solvents and strippers.

Glass cleaners can be used but with caution, if in doubt contact the manufacturer of the cleaner in question.

Please keep these instructions for aftercare and customer service details.

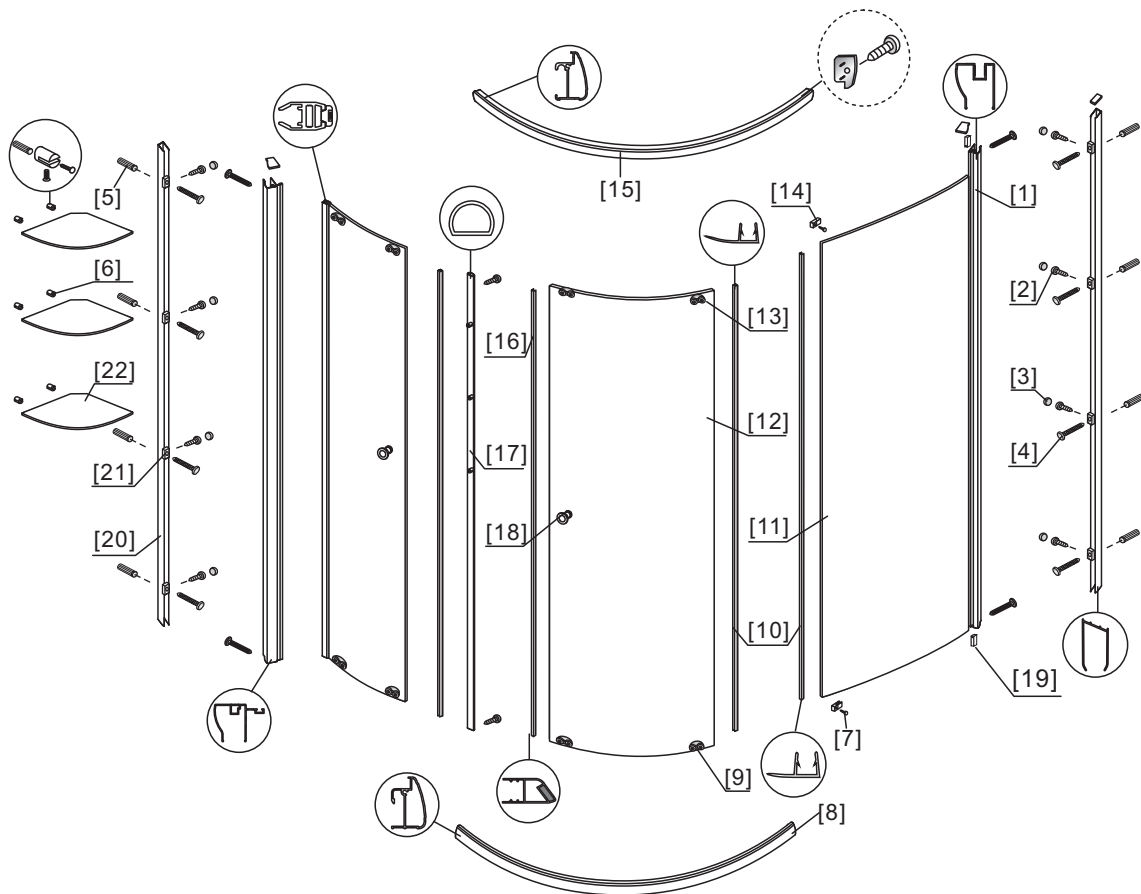
Tools Required



This product is heavy and may require two people to install.



◆ Assembly Drawing

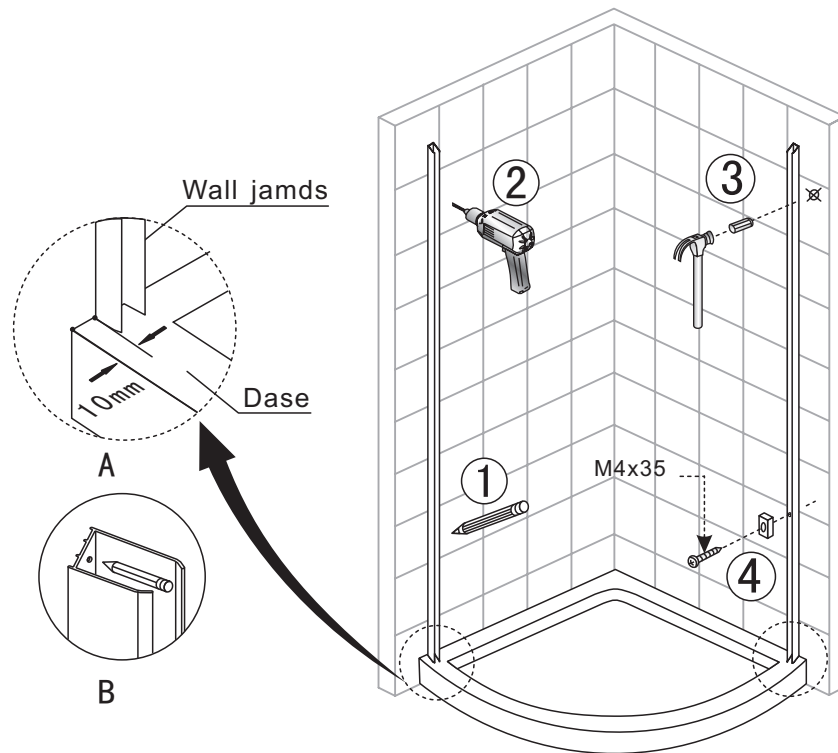


- [1] 铝材2根
- [2] M4x8自攻螺丝10个
- [3] 螺丝盖帽8个
- [4] M4x35自攻螺丝12个
- [5] 入墙胶粒8个
- [6] 墙接头6个
- [7] M4x14自攻螺丝2个
- [8] 下轨道1根
- [9] 下滑轮4套
- [10] 挡水胶条2根(4mm&12mm)
- [11] 固定扇1扇

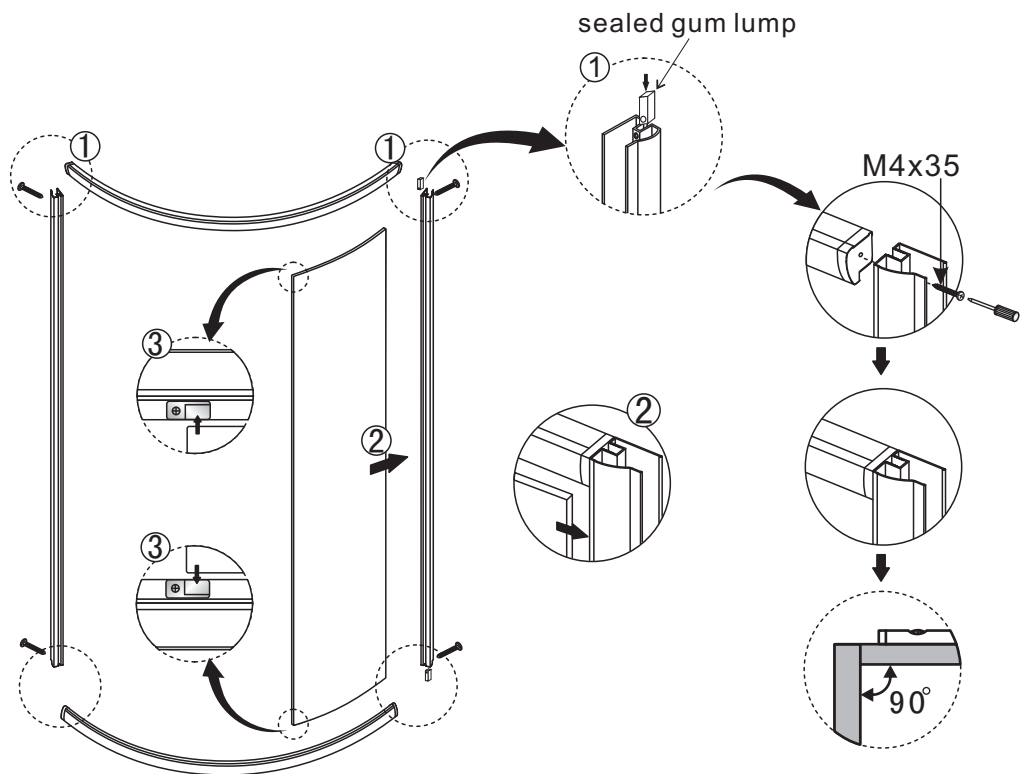
- [12] 活动门2扇
- [13] 上滑轮4套
- [14] 小压块2个
- [15] 上轨道1根
- [16] 磁条2根
- [17] 置物架1根
- [18] 拉手2套
- [19] 2xSealed Gum Lump
- [20] 靠墙材2根
- [21] 硬胶粒8个
- [22] 置物架玻璃3片

◆ Installation Steps

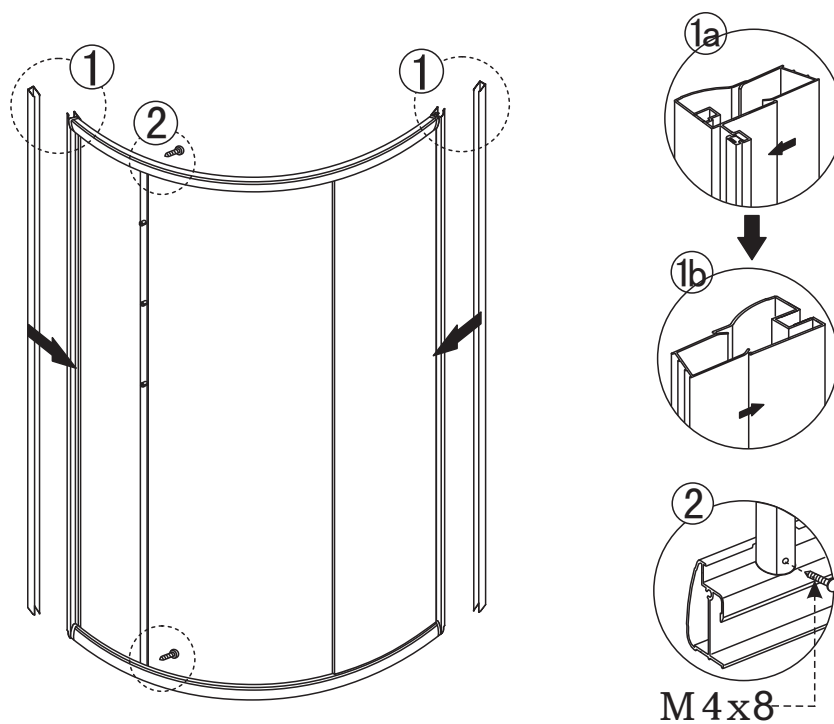
Step 1



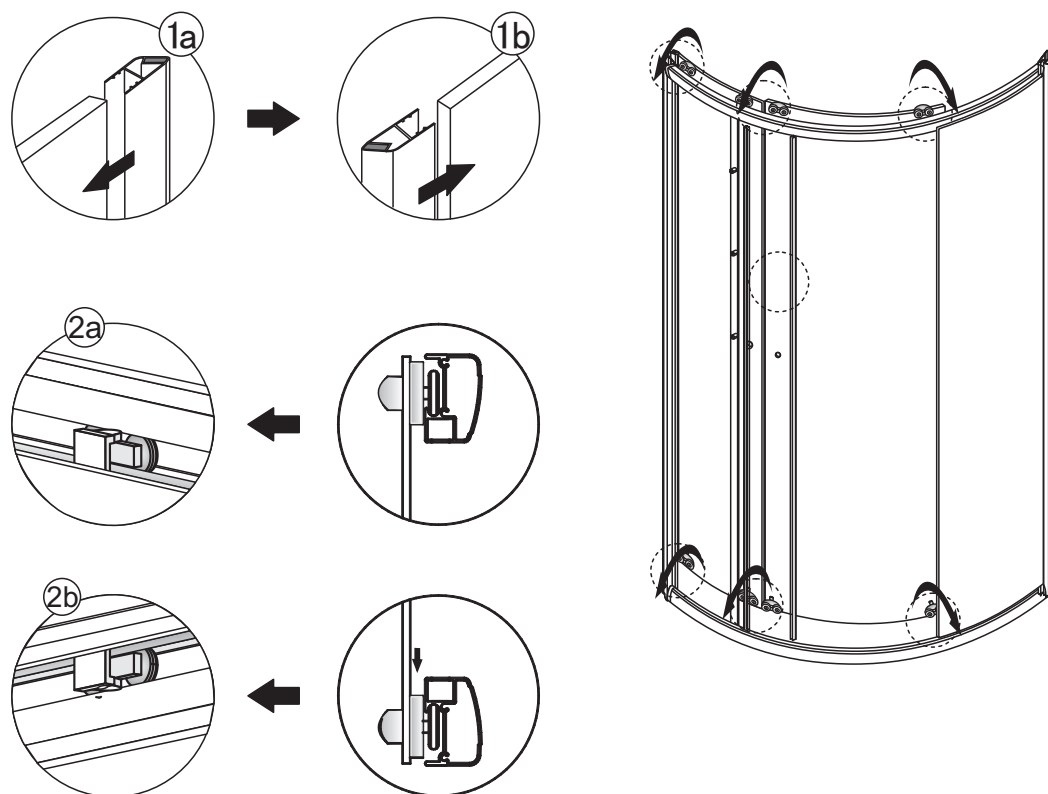
Step 2



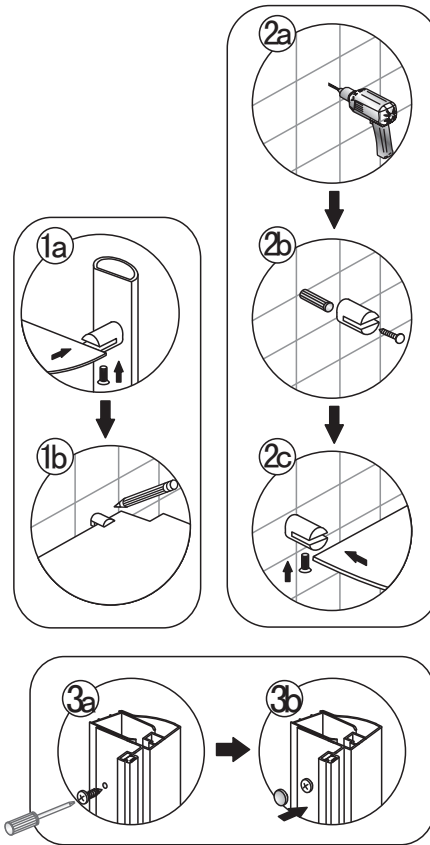
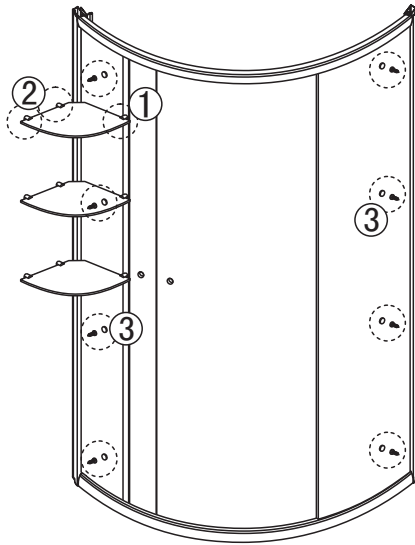
Step 3



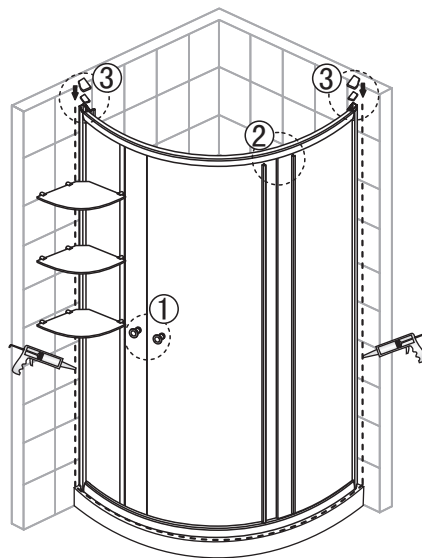
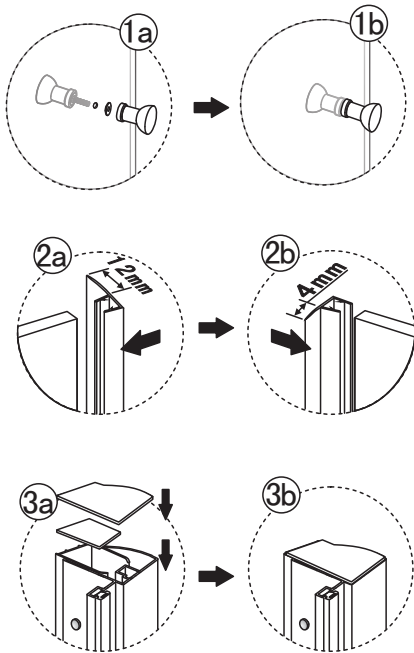
Step 4



Step 5



Step 6



Allow 24 hours for silicone to dry before use.