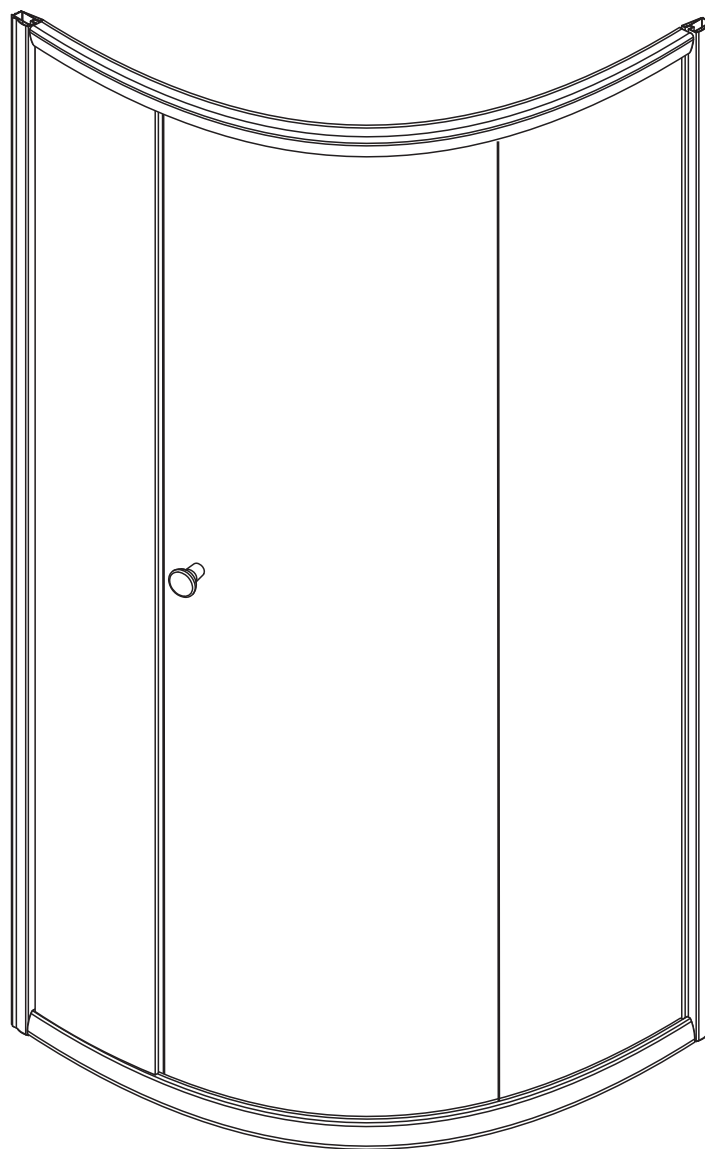


# INSTALLATION INSTRUCTIONS

CD4131



## ◆ General Information

Please inspect the product immediately upon receipt for transit damage, missing packs/parts or manufacturing fault. Damage reported later cannot be accepted. Please handle the product with care avoiding knocks and shock loading to all sides and edges of the glass.

### **Notes: Safety glass can not be re-worked.**

Please read these instructions carefully before start of installation.

Special care should be taken when drilling walls to avoid hidden pipes or electrical cables.

Note: This product is heavy and may require two people to install.

## Aftercare instructions

After use, your shower should be cleaned with soap and water. This is particularly important in hard water districts where insoluble lime salts may be deposited and allowed to build up.

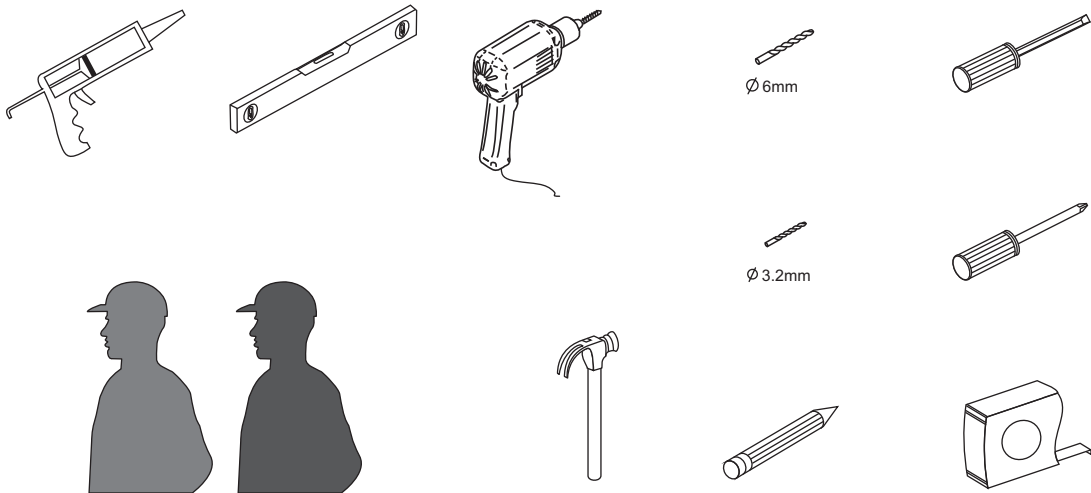
Cleaners of a gritty or abrasive nature should not be used. Care should be taken to avoid contact with strong chemicals such as organic solvents and strippers.

Glass cleaners can be used but with caution, if in doubt contact the manufacturer of the cleaner in question.

Please keep these instructions for aftercare and customer service details.

---

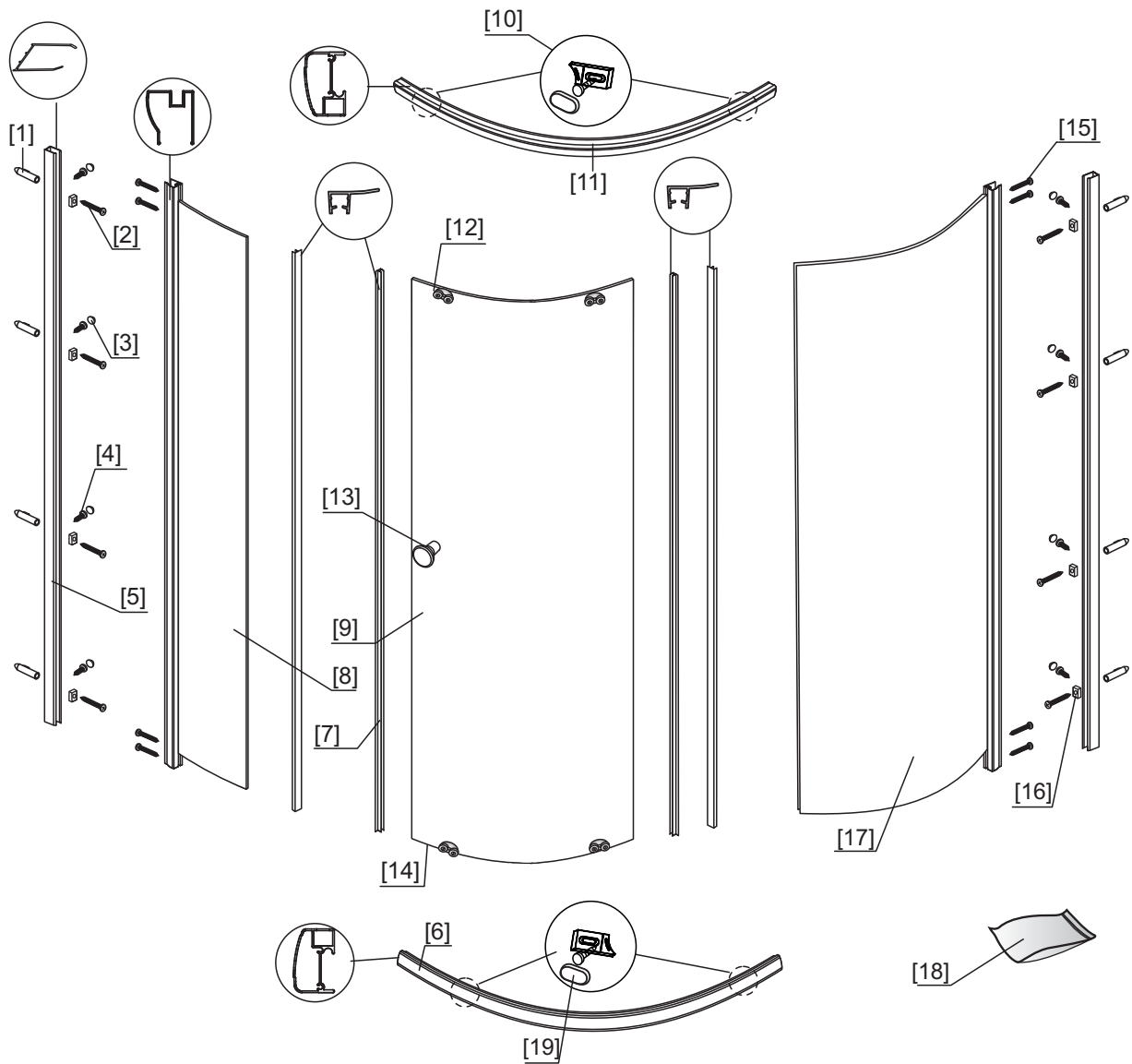
## Tools Required



**This product is heavy and may require two people to install.**



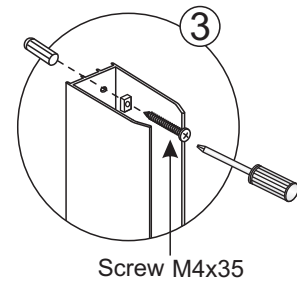
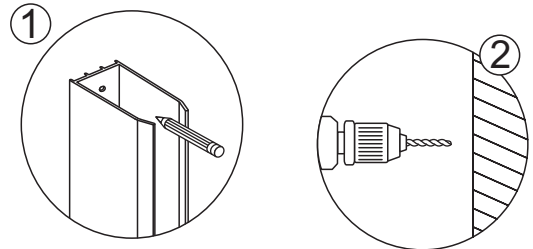
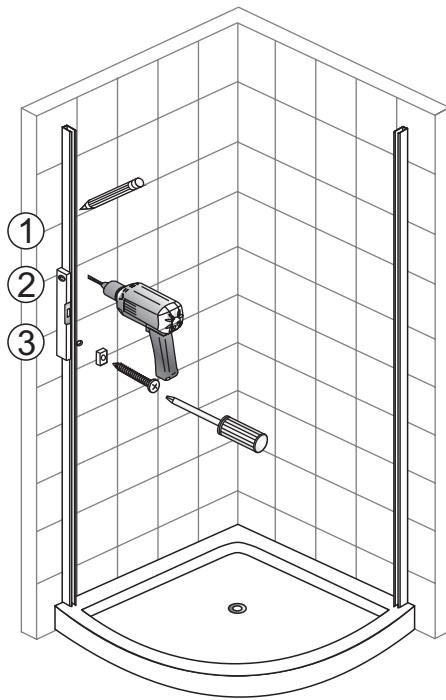
# ◆ Assembly Drawing



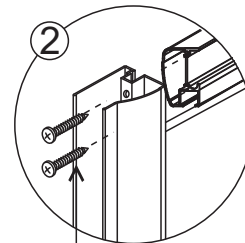
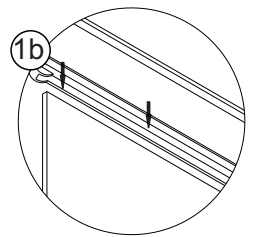
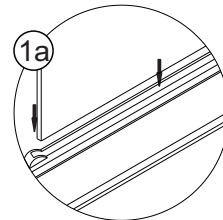
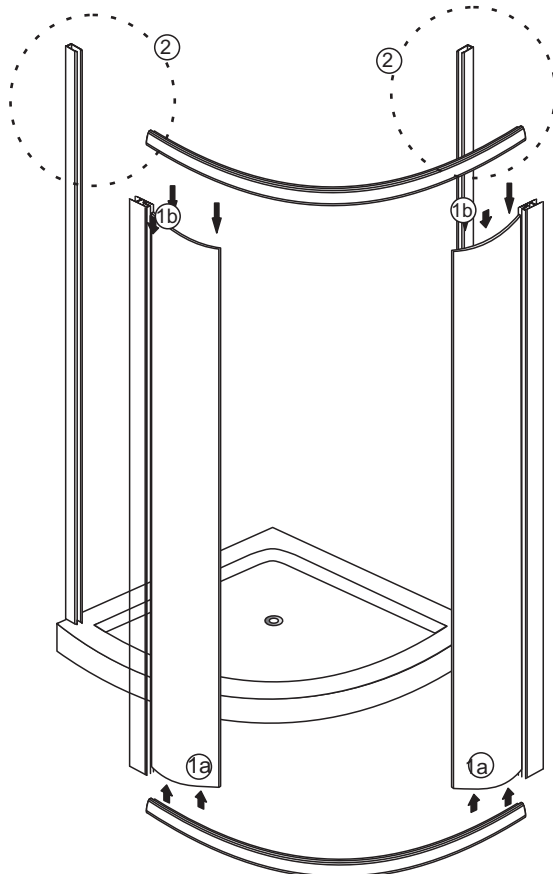
Item no.in exploded drawing picture	Description	Q'TY	Item no.in exploded drawing picture	Description	Q'TY
1	Wall Plugs	8	11	Top Horizontal Rail	1
2	Flat Screws M4x35	8	12	Top Rollers	2
3	Screw Cover Caps	8	13	Handle Set	1
4	Screws M4x8	8	14	Bottom Rollers	2
5	Wall Posts	2	15	Screws M4x35	8
6	Bottom Horizontal Rail	1	16	Bumper Mouldings	8
7	Water Deflectors	4	17	Fixed Side Panel	1
8	Fixed Panel	1	18	Jubrication oil	1
9	Door Panel	1	19	Set piece Caps	2
10	Set pieces	2			

# ◆ Installation steps:

## Step 1

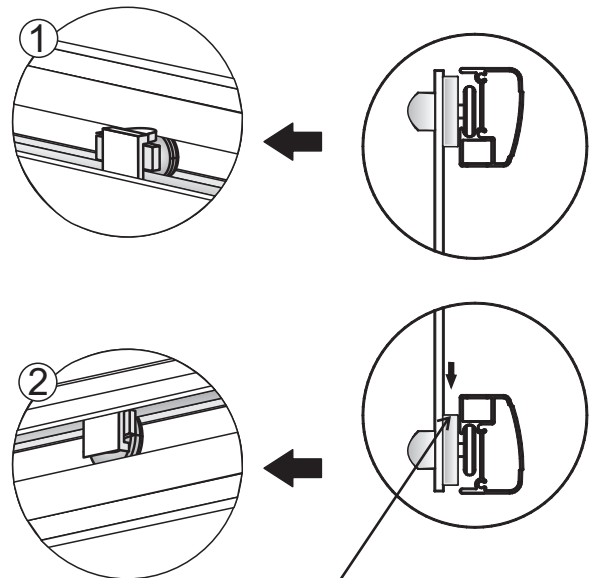
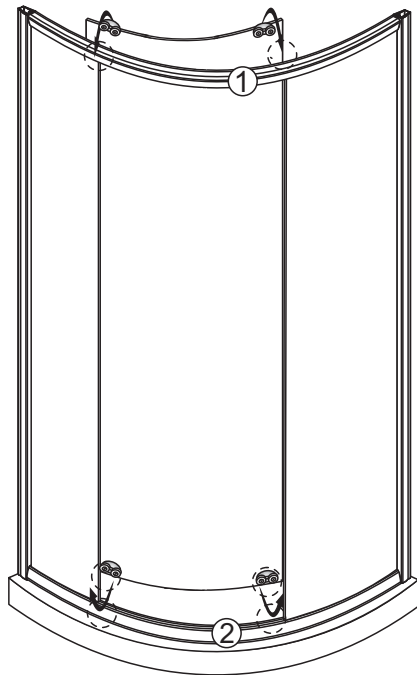



## Step 2



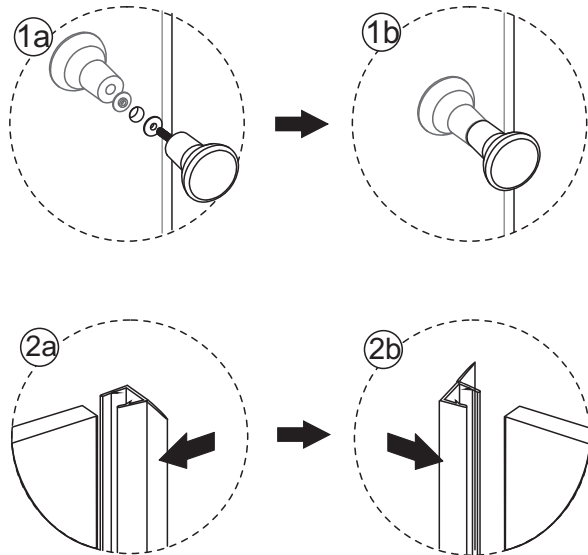
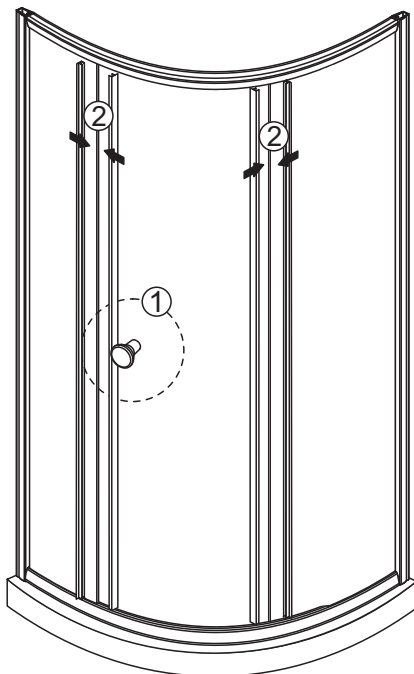
View from inside


### Step 3



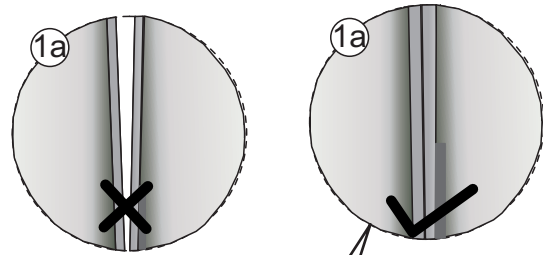
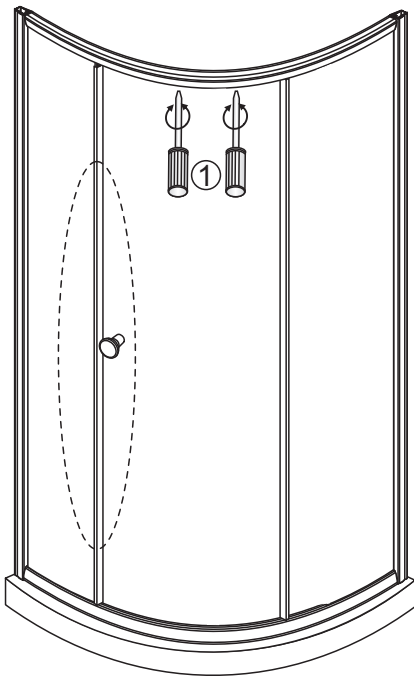
 Clip the bottom of the door in the bottom rail . The rollers are pressed down to allow the rollers clip to be into the rail.


### Step 4



 Ensure wall profiles are plumb.  
Adjust enclosure to be square and level.  
Wheels should be adjusted to square the doors and ensure smooth running.

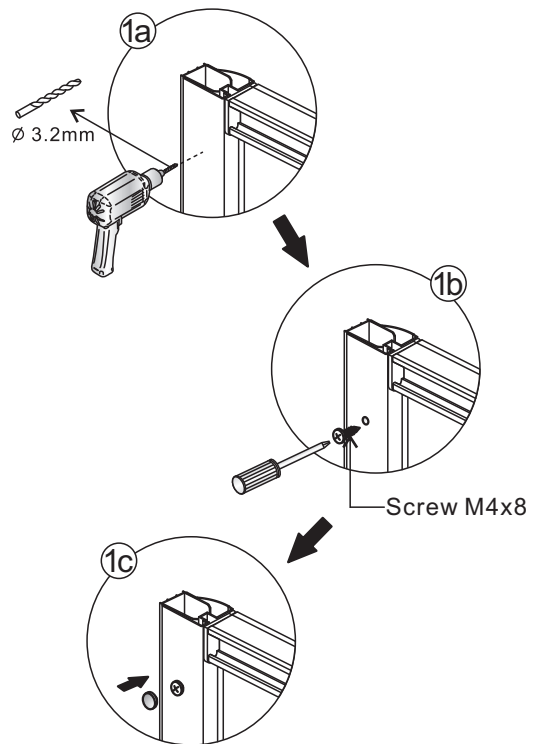
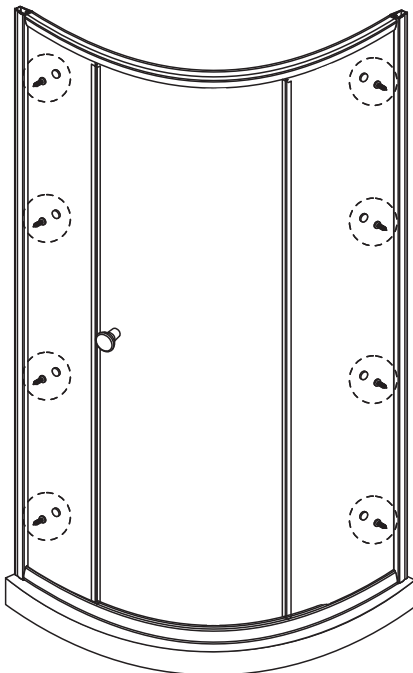
## Step 5



 Adjust the sliding doors using the screws located on the bottom of top roller assemblies Adjust rollers so that the sliding doors are parallel to the fixed panels and parallel to each other.

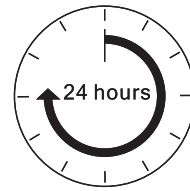
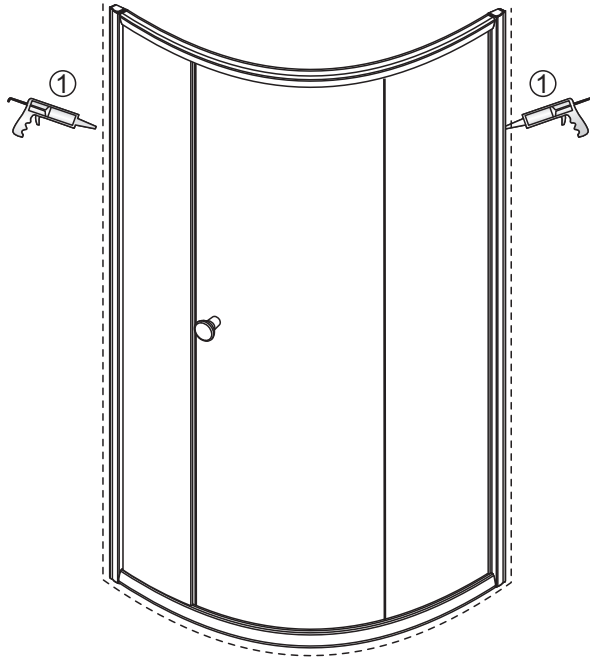
Note: Do not overtighten top rollers as this will cause the bottom rollers to jamb and or break.

## Step 6



View from inside

## Step 7



Allow 24 hours for silicone to dry before use.