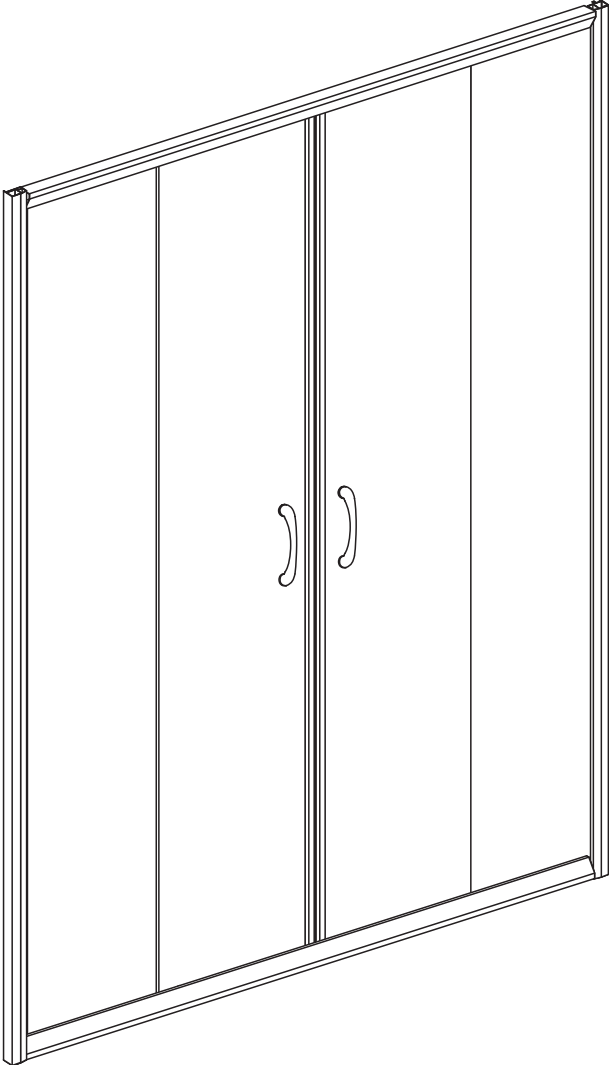


# CB6142 Instruction Manual



## ◆ General Information

Please inspect the product immediately upon receipt for transit damage, missing packs/parts or manufacturing fault. Damage reported later cannot be accepted. Please handle the product with care avoiding knocks and shock loading to all sides and edges of the glass.

### **Notes: Safety glass can not be re-worked.**

Please read these instructions carefully before start of installation.

Special care should be taken when drilling walls to avoid hidden pipes or electrical cables.

Note: This product is heavy and may require two people to install.

## Aftercare instructions

After use, your shower should be cleaned with soap and water. This is particularly important in hard water districts where insoluble lime salts may be deposited and allowed to build up.

Cleaners of a gritty or abrasive nature should not be used. Care should be taken to avoid contact with strong chemicals such as organic solvents and strippers.

Glass cleaners can be used but with caution, if in doubt contact the manufacturer of the cleaner in question.

Please keep these instructions for aftercare and customer service details.

---

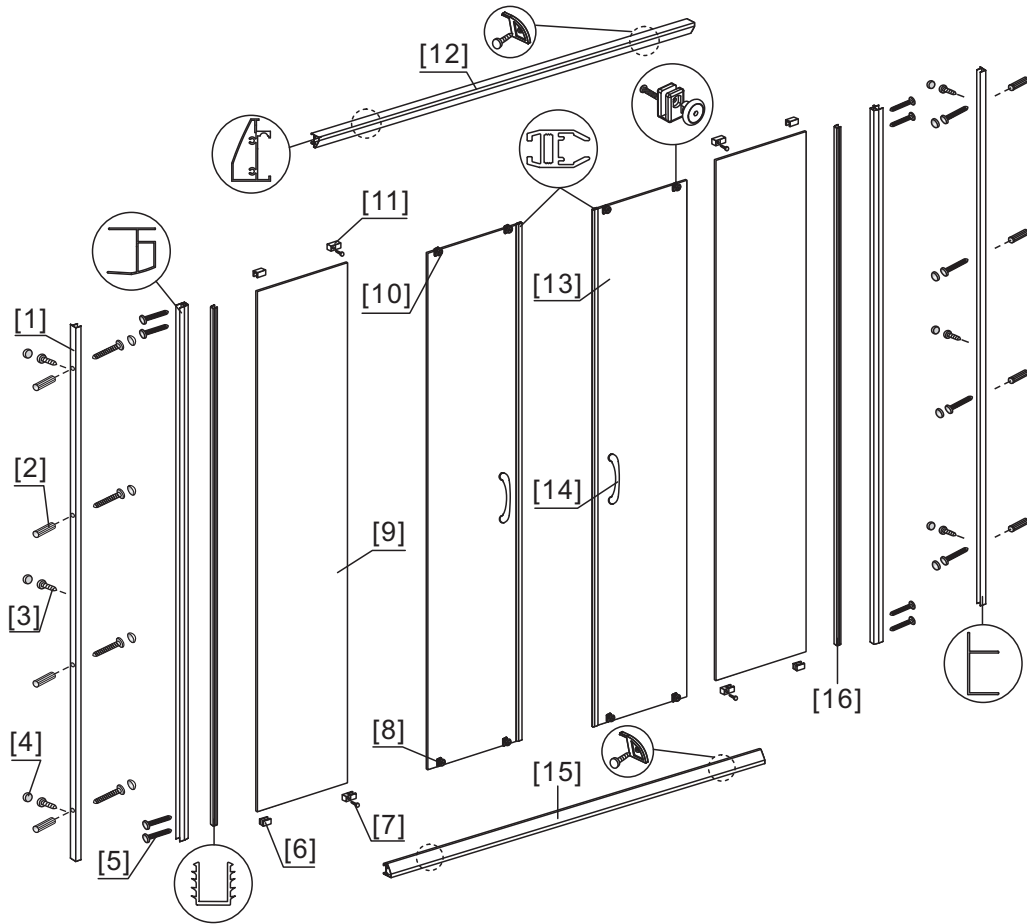
## Tools Required



**This product is heavy and may require two people to install.**



## ◆ Assembly Drawing

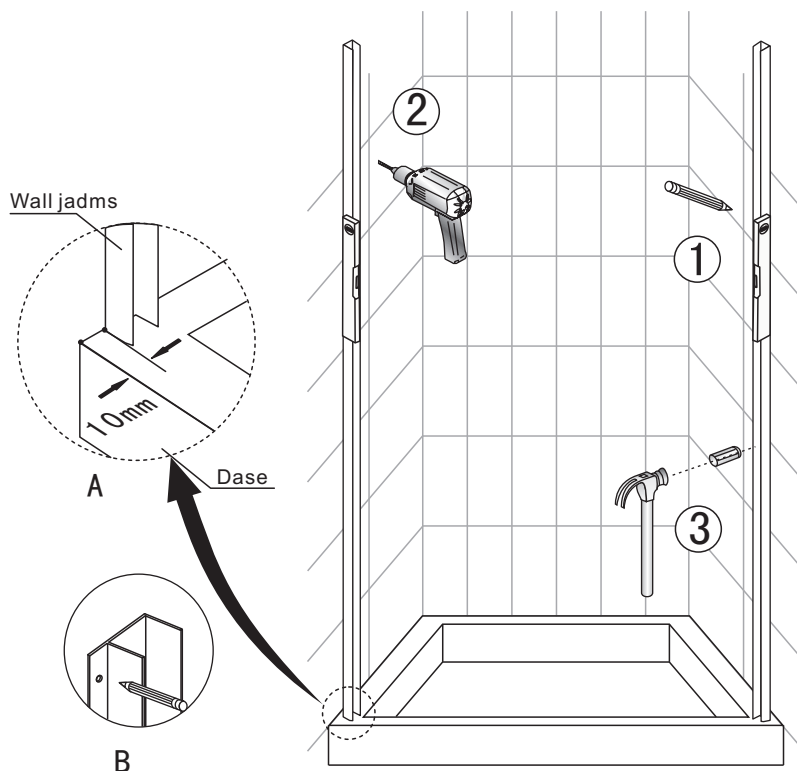


- [1] 靠墙材2根
- [2] 入墙胶粒8个
- [3] M4x8自攻螺丝6个
- [4] 螺丝盖帽6个
- [5] M4x35自攻螺丝16个
- [6] 小“U”槽4个
- [7] M4x12自攻螺丝4个
- [8] 下滑轮4套

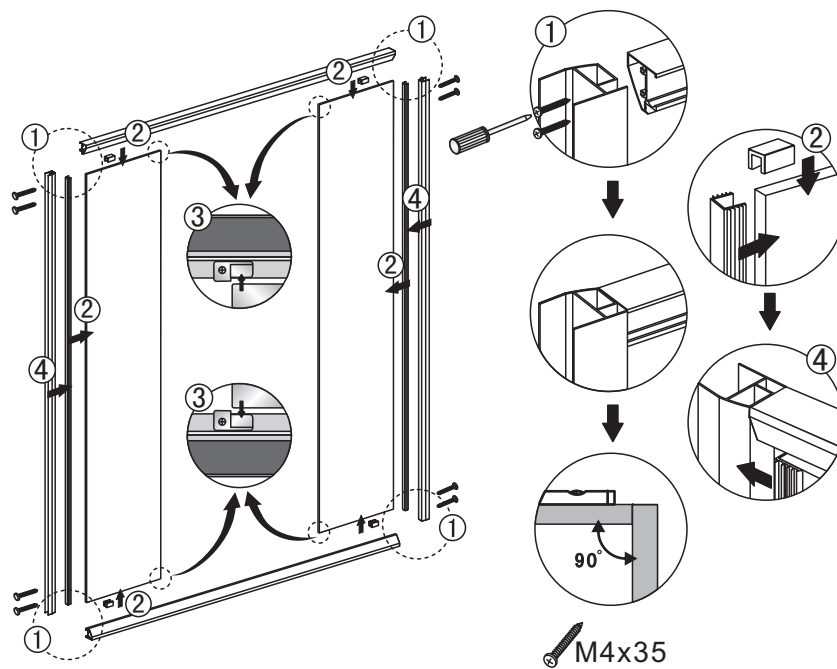
- [9] 固玻2扇
- [10] 上滑轮4套
- [11] 小压块4个
- [12] 上轨道1根
- [13] 门玻2扇
- [14] 拉手2套
- [15] 下轨道1根
- [16] 胶条2根

# ◆ Installation Steps

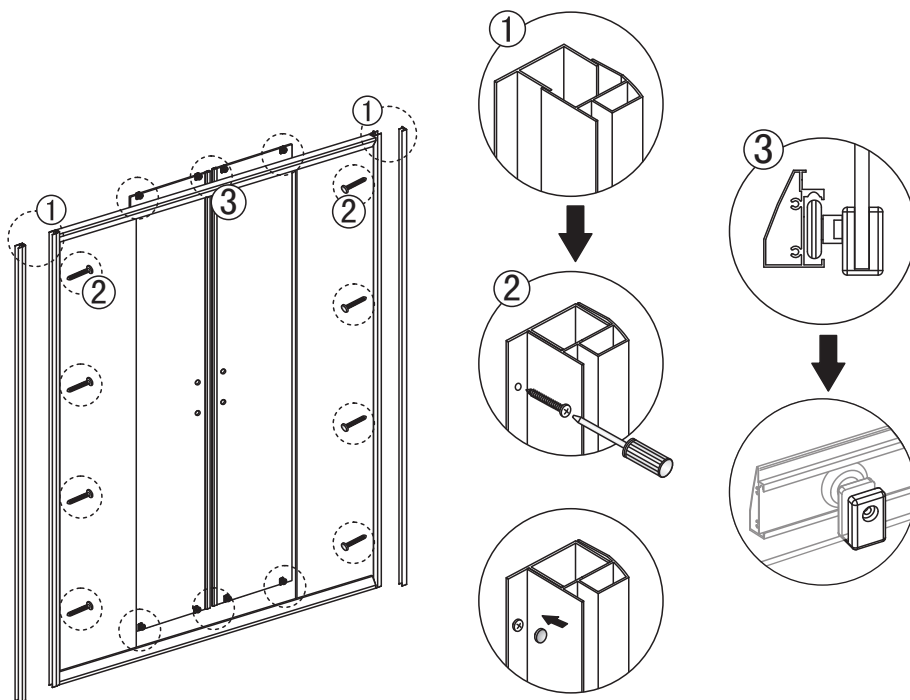
## Step 1



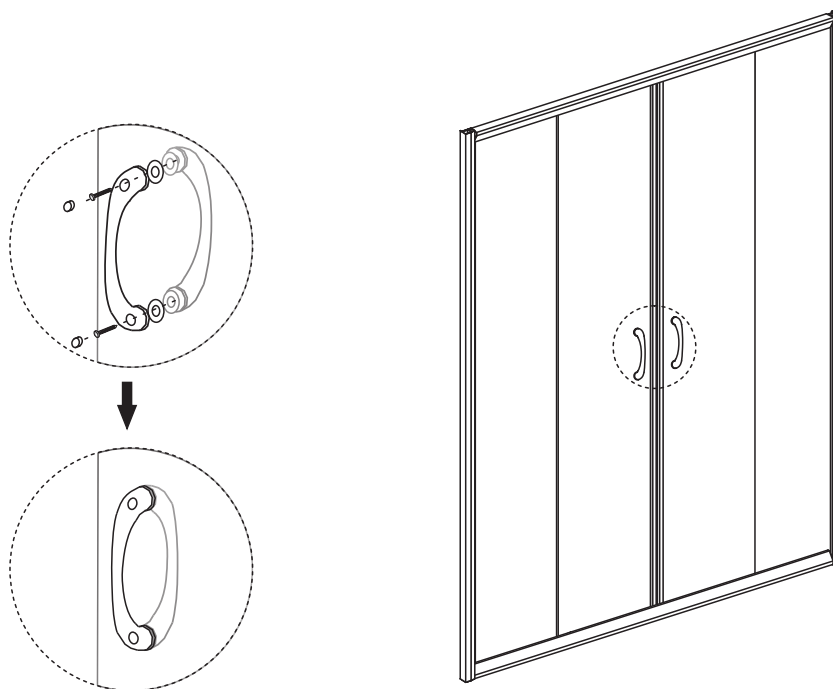
## Step 2



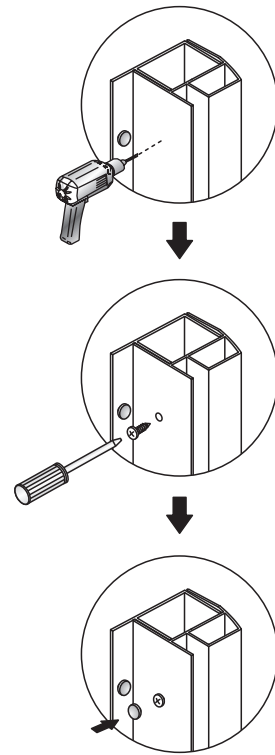
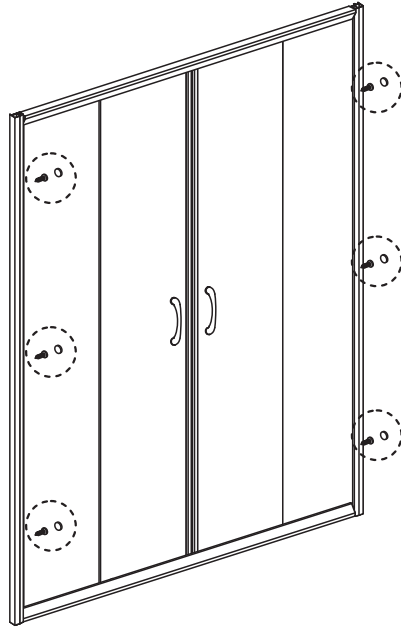
### Step 3



### Step 4



## Step 5



## Step 6

