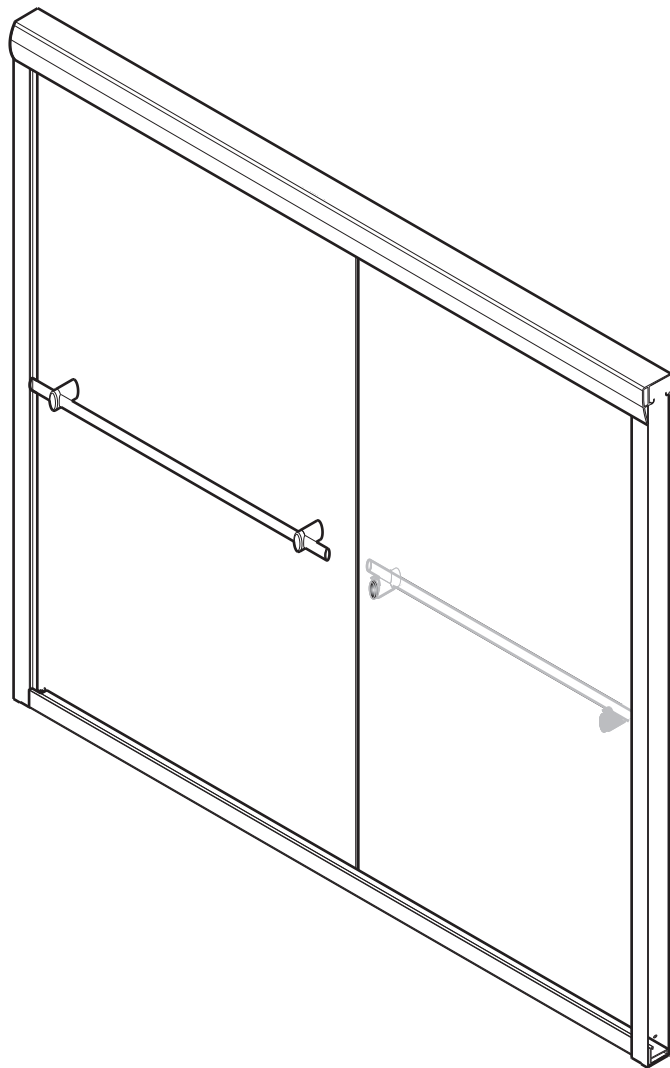


INSTALLATION INSTRUCTIONS

CB6122T



◆ General Information

Please inspect the product immediately upon receipt for transit damage, missing packs/parts or manufacturing fault. Damage reported later cannot be accepted. Please handle the product with care avoiding knocks and shock loading to all sides and edges of the glass.

Notes: Safety glass can not be re-worked.

Please read these instructions carefully before start of installation.

Special care should be taken when drilling walls to avoid hidden pipes or electrical cables.

Note: This product is heavy and may require two people to install.

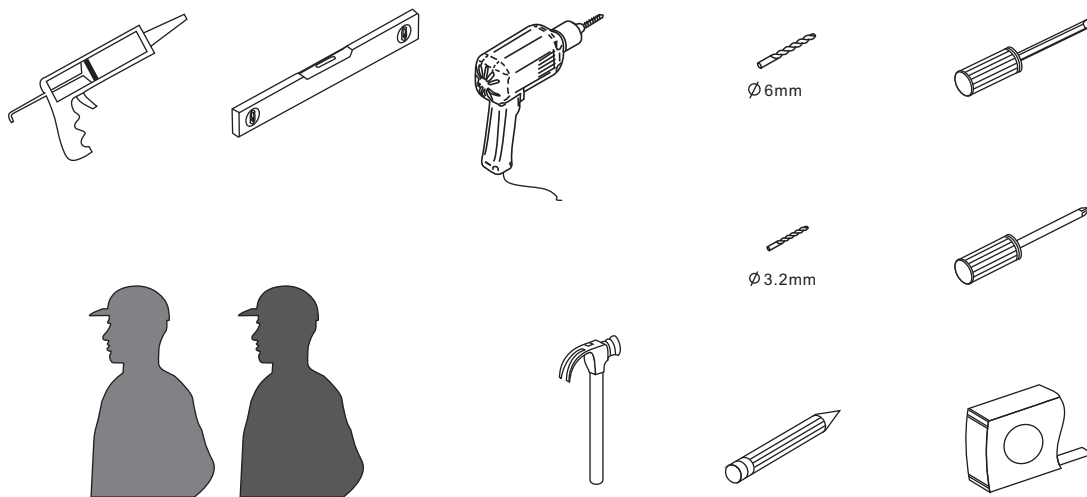
Aftercare instructions

After use, your shower should be cleaned with soap and water. This is particularly important in hard water districts where insoluble lime salts may be deposited and allowed to build up. Cleaners of a gritty or abrasive nature should not be used. Care should be taken to avoid contact with strong chemicals such as organic solvents and strippers.

Glass cleaners can be used but with caution, if in doubt contact the manufacturer of the cleaner in question.

Please keep these instructions for aftercare and customer service details.

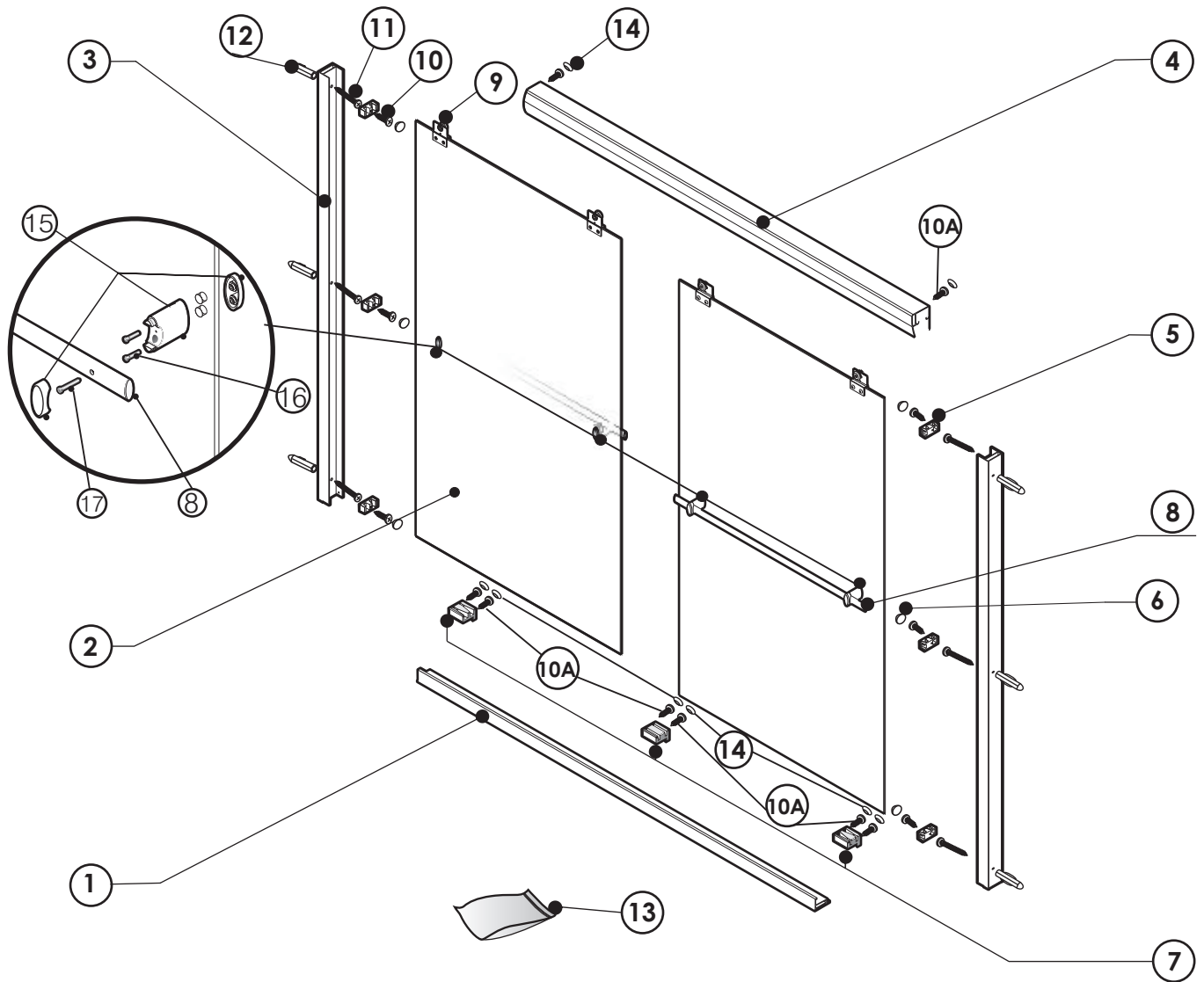
Tools Required



This product is heavy and may require two people to install.



◆ Assembly Drawing



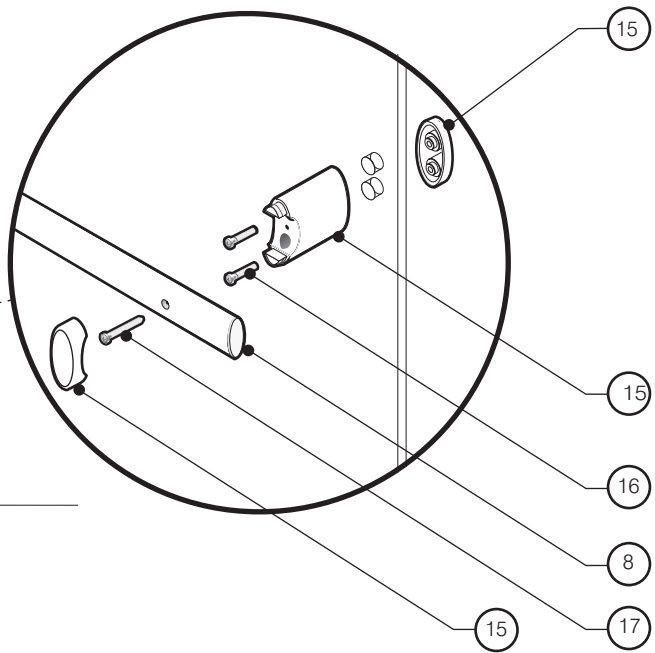
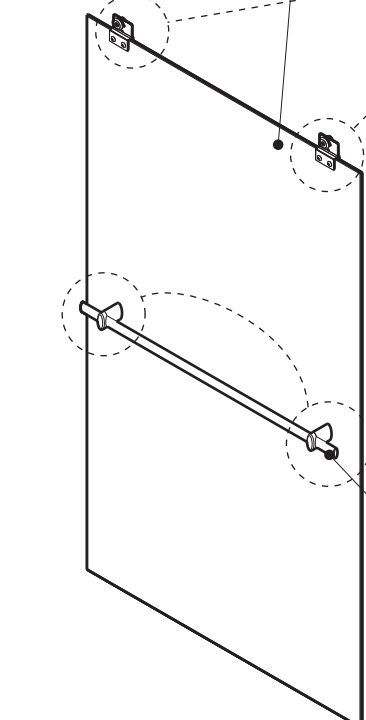
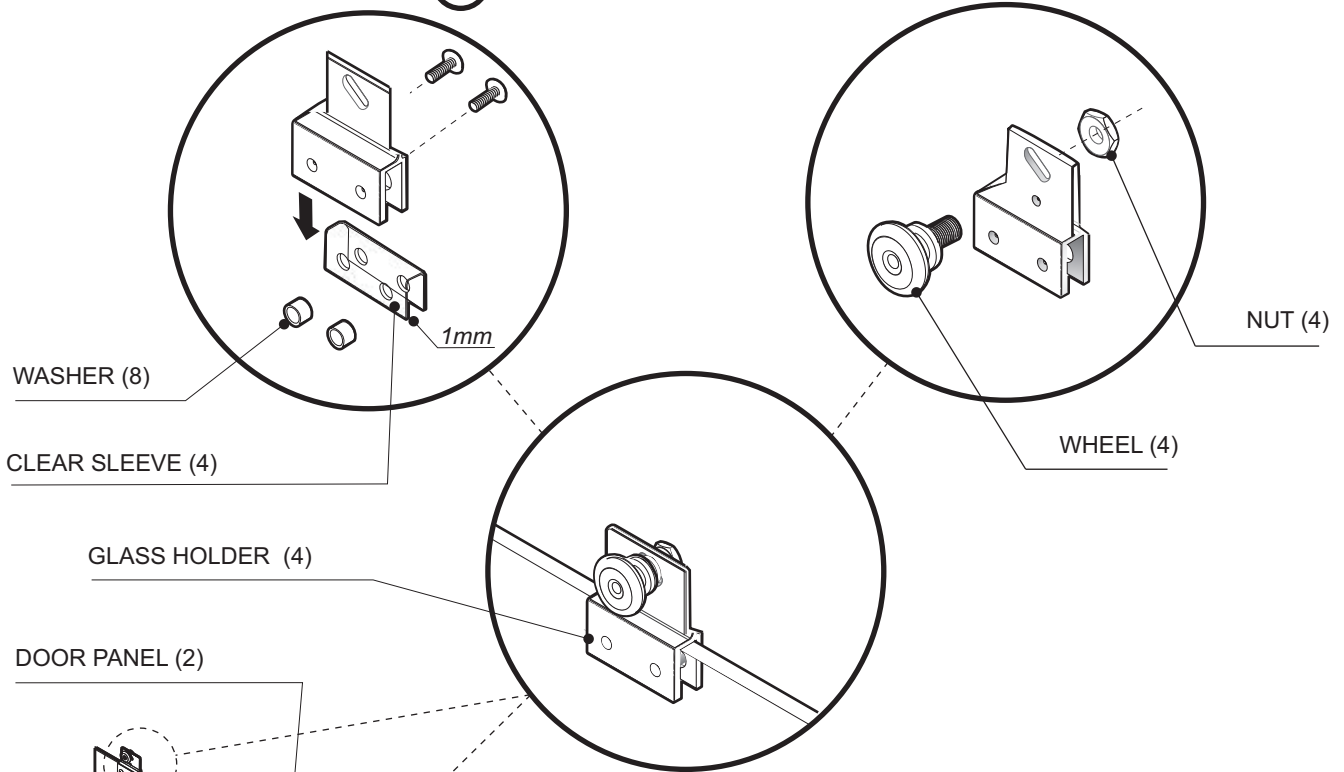
Item no.in exploded drawing picture	Description	Q'TY	Item no.in exploded drawing picture	Description	Q'TY
1	Bottom Horizontal Rail	1	10	M4 Screw caps-16mm	6
2	Door Panels	2	10A	Fixed Panel M4 Screw caps-16mm	8
3	Left Wall Jambs	2	11	Fixed Panel Wall jamb fixing M3.5 Screws-35mm	6
4	Top Horizontal Rail	1	12	Wall Plugs	6
5	Glass Blocks	6	13	Jubrication oil	1
6	Glass Block Caps	6	14	Fired Pauer Screw Caps	8
7	Glass Tracks	3	15	Handle Sets	4
8	Handles	2	16	Handle Sets M4 Screws-25mm	8
9	Wheels	4	17	Handle Sets M3.5 Screws-25mm	4

◆ Installation steps:

Step

1

INSTALL GLASS HOLDER (4)

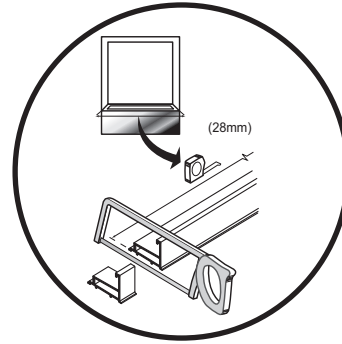
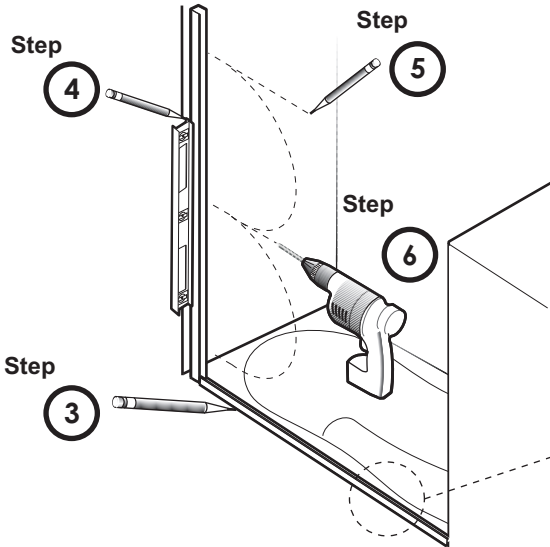


Step

2

INSTALL TOWEL BAR (2)

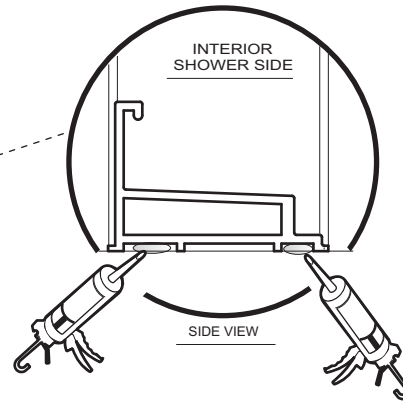
REPEAT ON BOTH SIDE



Step

7A MEASURE THE BOTTON OF INSTALLATION, CUT THE SPARE LENGTH (MEASUREMENTLENGTH SUBTRACT 28mm) WIT A SAW IF THE SIZE GOU WANT IS LESS THAN 1500mm

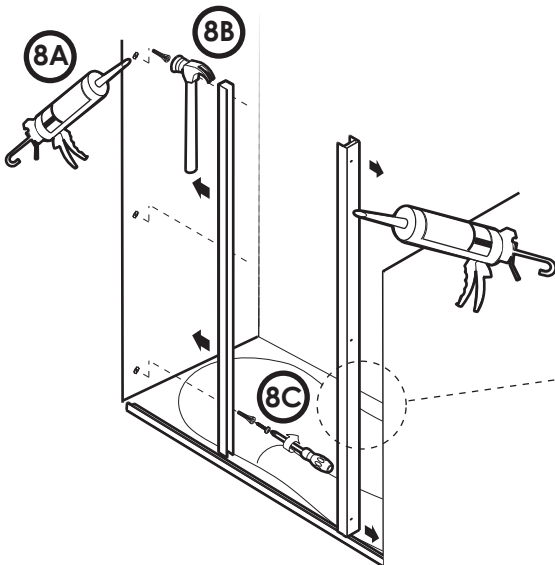
7A



Step

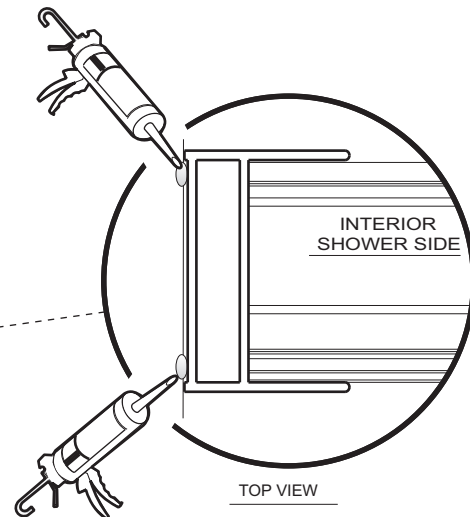
8 WALL PLUG (6)

8



7B BOTTOM TRACK (1) SILICONE UNDERNEATH

7B



Step

9 WALL JAMB (2) SILICONE ON BACKSIDE

9

REPEAT ON BOTH SIDE

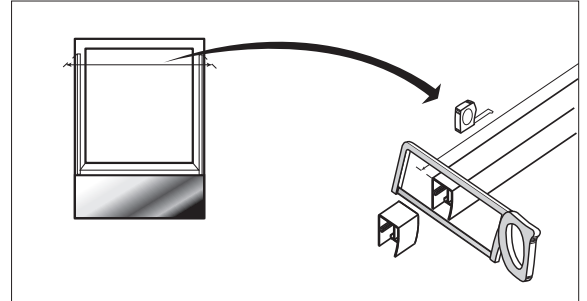
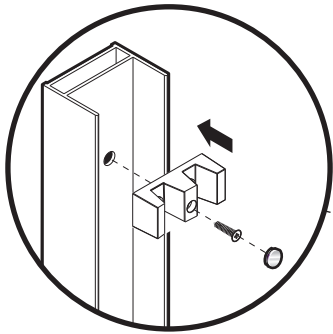
Step

10 SCREW 1 3/8" LG (6) ATTACH BOTH WALL JAMBS

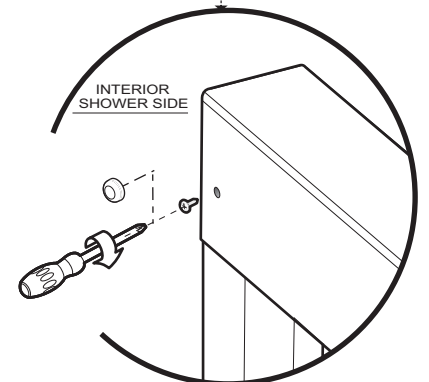
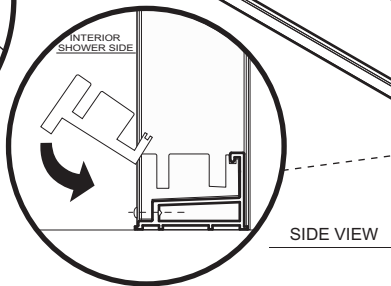
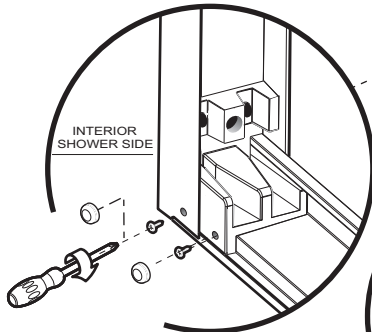
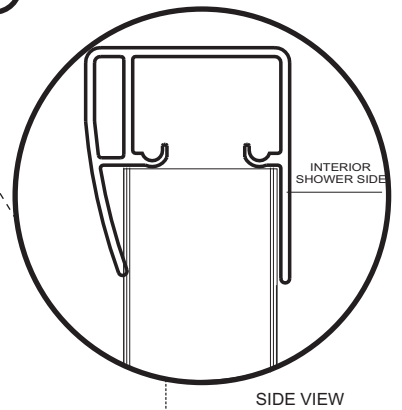
10

Step 13A MEASURE THE TOP OF INSTALLATION, CUT THE SPARE LENGTH WITH A SAW IF IT'S LESS THAN 1500mm

Step 11 FASTEN BUMPER (6) ONTO BOTH WALL JAMBS WITH 5/8" SCREW



13B PLACE TOP RAIL ON THE WALLJAMBS.

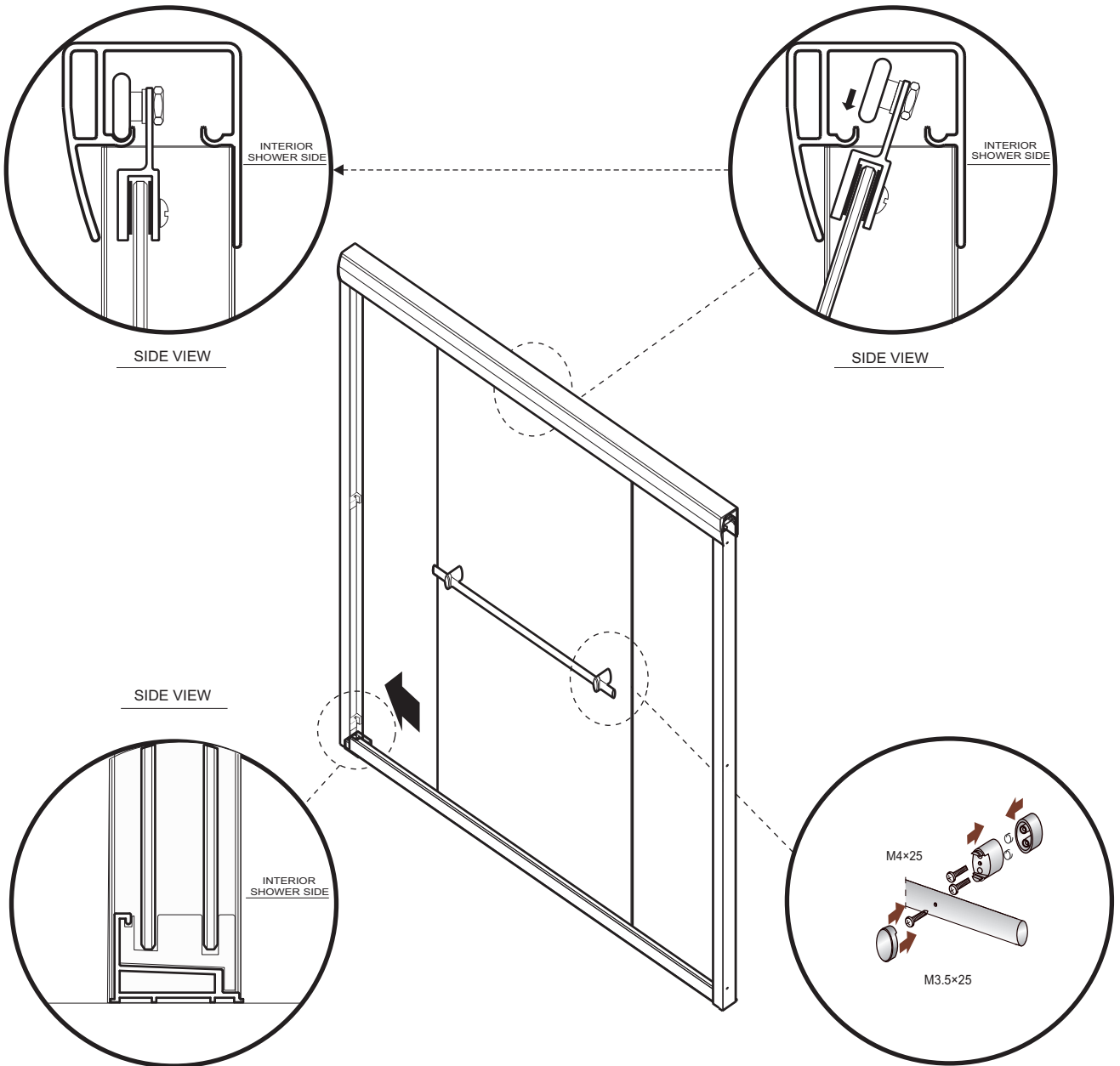


Step 12 - FASTEN SIDE GUIDES (2) ONTO WALL JAMBS AND BOTTOM TRACK WITH 5/8" SCREW
- PUT SCREW CAP.

Step 14 - FASTEN TOP TRACK ONTO WALL JAMBS WITH 5/8" SCREW.
- PUT SCREW CAP.

Step

15 INSERT OUTER DOOR PANEL BY LIFTING UP & INTO TOP TRACK

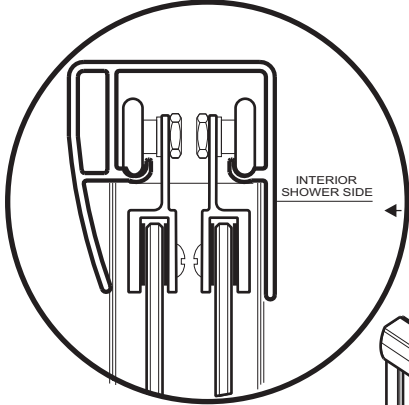


Step

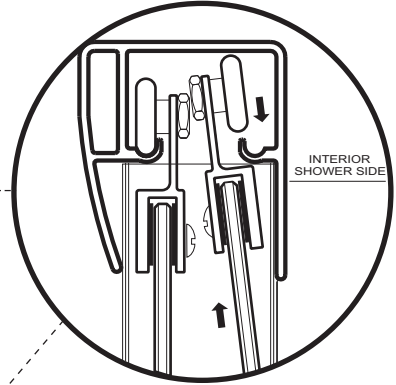
16 SLIDE OUTER PANEL INTO SIDE GUIDE.

Step

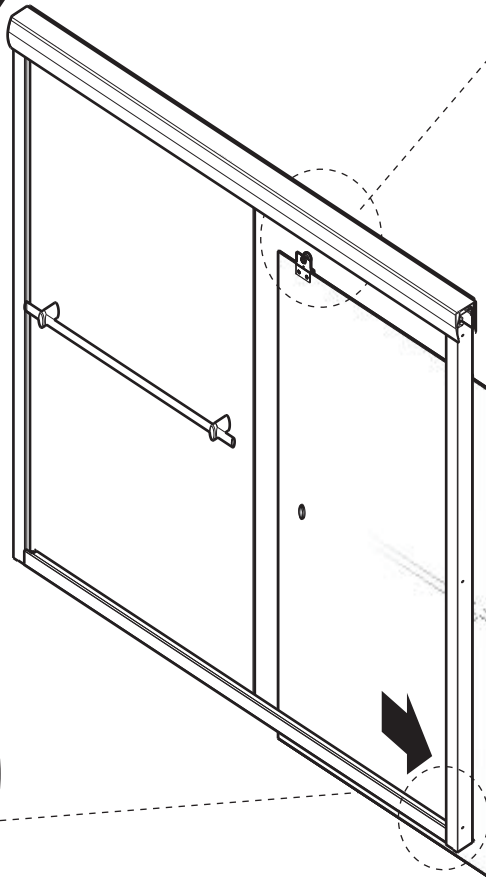
17 INSERT INNER DOOR PANEL BY LIFTING UP & INTO TOP TRACK



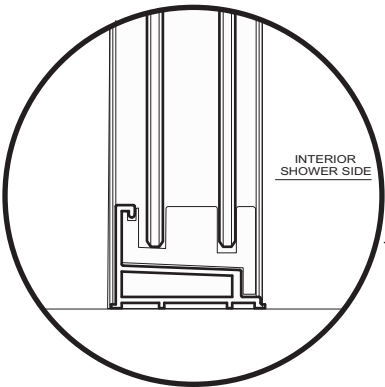
SIDE VIEW



SIDE VIEW



SIDE VIEW



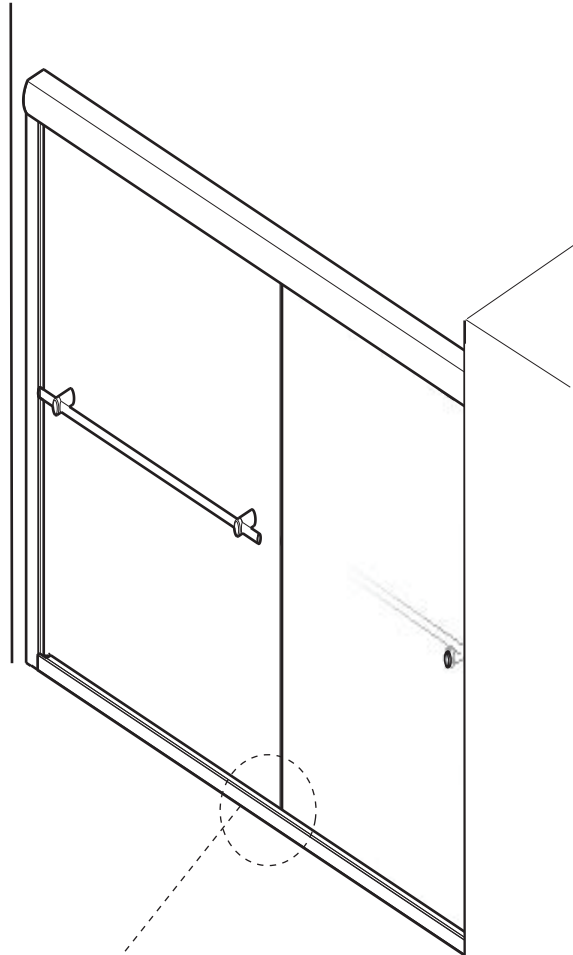
Step

18 SLIDE INNER PANEL INTO SIDE GUIDE.

Step

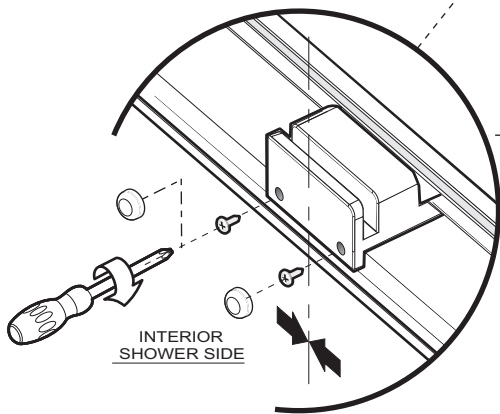
19

- PUT THE CENTER GUIDE IN THE MIDDLE OF THE BOTTOM TRACK
- FASTEN GUIDE WITH SCREW 3/8" LG (2) + SCREW CAP (2)

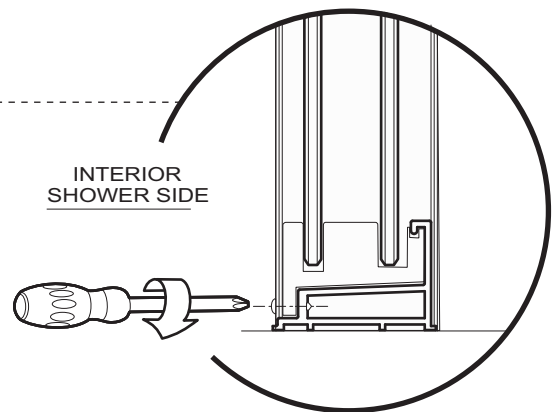


24 Hours

SIDE VIEW



INTERIOR SHOWER SIDE



INTERIOR SHOWER SIDE