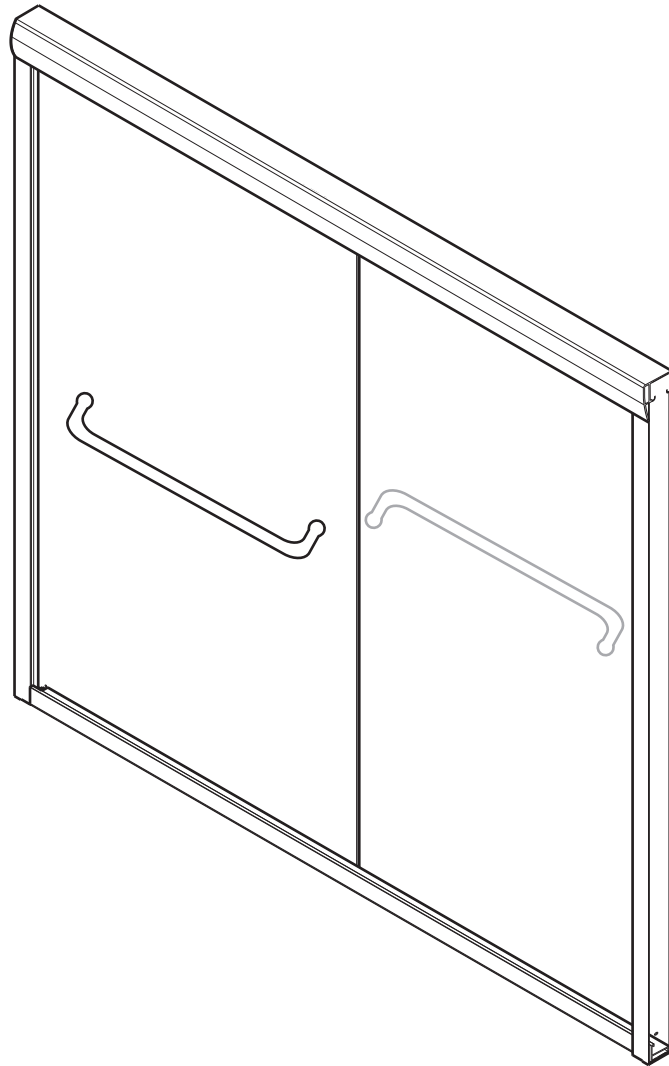


INSTALLATION INSTRUCTIONS

2062



◆ General Information

Please inspect the product immediately upon receipt for transit damage, missing packs/parts or manufacturing fault. Damage reported later cannot be accepted. Please handle the product with care avoiding knocks and shock loading to all sides and edges of the glass.

Notes: Safety glass can not be re-worked.

Please read these instructions carefully before start of installation.

Special care should be taken when drilling walls to avoid hidden pipes or electrical cables.

Note: This product is heavy and may require two people to install.

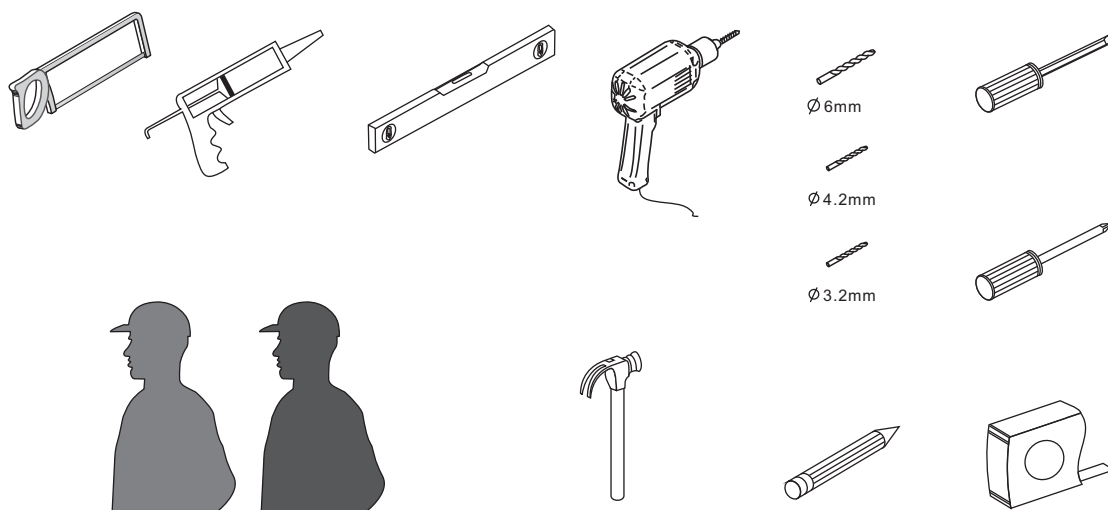
Aftercare instructions

After use, your shower should be cleaned with soap and water. This is particularly important in hard water districts where insoluble lime salts may be deposited and allowed to build up. Cleaners of a gritty or abrasive nature should not be used. Care should be taken to avoid contact with strong chemicals such as organic solvents and strippers.

Glass cleaners can be used but with caution, if in doubt contact the manufacturer of the cleaner in question.

Please keep these instructions for aftercare and customer service details.

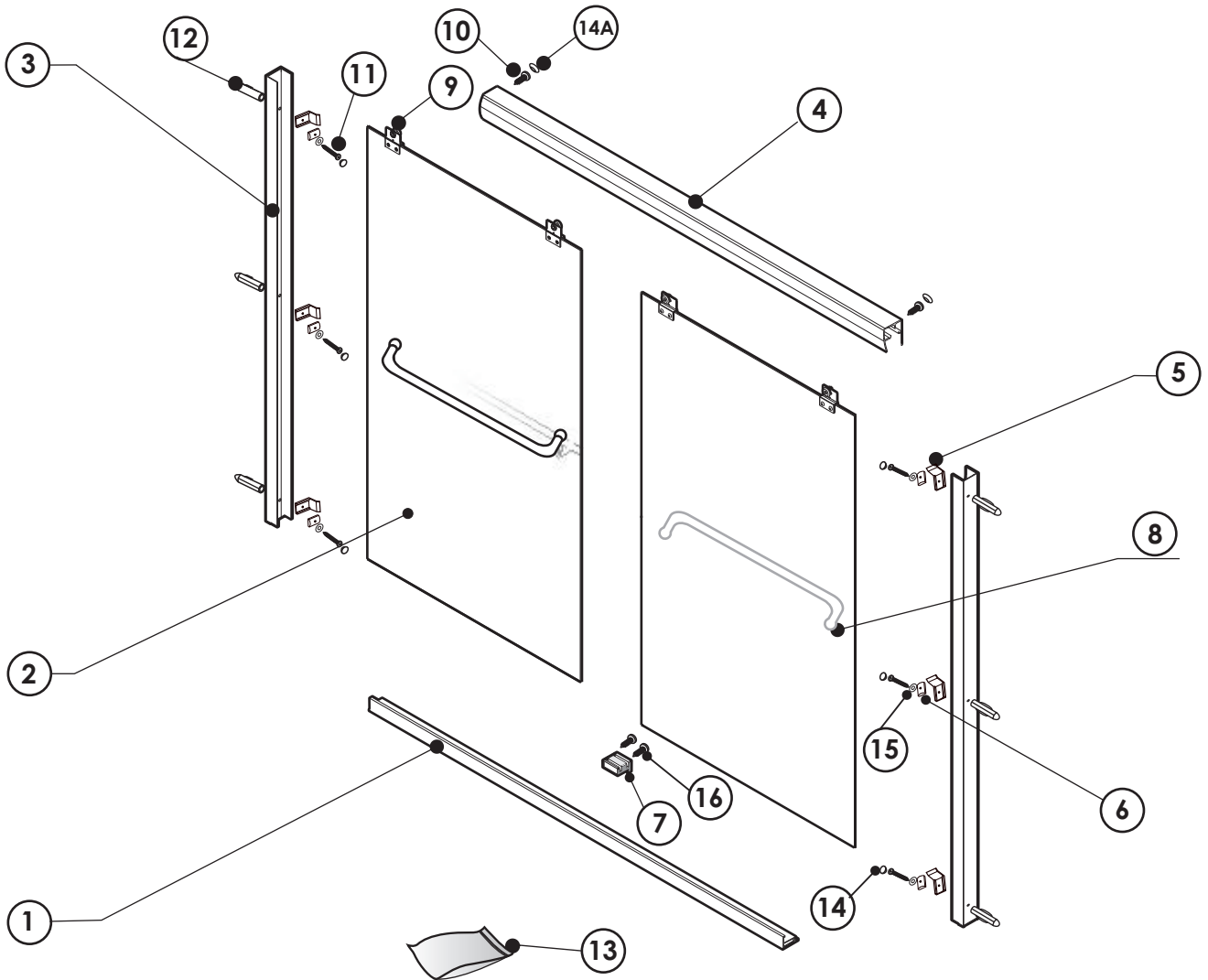
Tools Required



This product is heavy and may require two people to install.



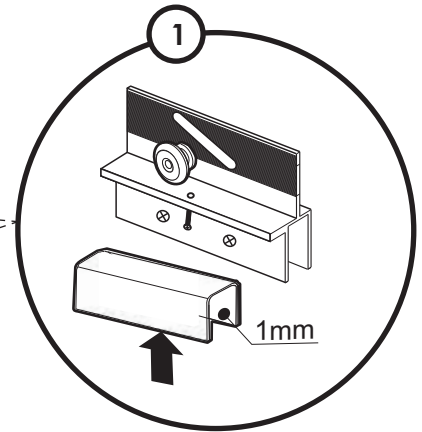
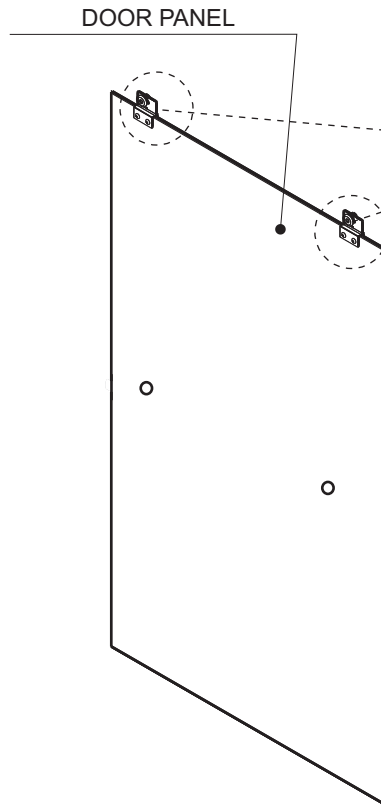
◆ Assembly Drawing



Item no.in exploded drawing picture	Discription	Q'TY	Item no.in exploded drawing picture	Discription	Q'TY
1	Bottom Horizontal Rail	1	10	M4 Screw caps-10mm	2
2	Door Panels	2	11	Fixed Panel Wall jamb fixing M4 Screws-35mm	6
3	Wall Jambs	2	12	Wall Plugs	6
4	Top Horizontal Rail	1	13	Jubrication oil	1
5	Glass Blocks-A	6	14	Fired Pael Screw Caps	6
6	Glass Blocks-B	6	14A	Bottom Horizontal Rail Screw Caps	2
7	Glass Tracks	1	15	M4 Washers	6
8	Handles	2	16	M4 Screw caps-14mm	2
9	Wheels	4			

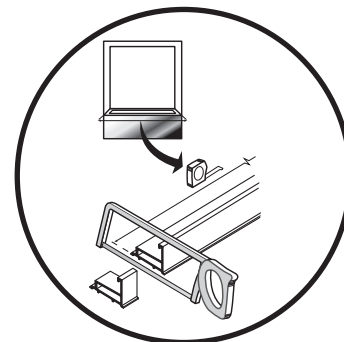
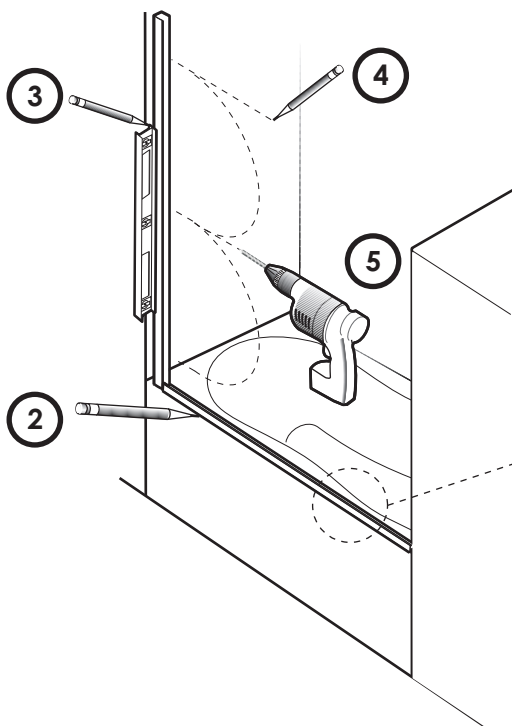
◆ Installation steps:

Step 1

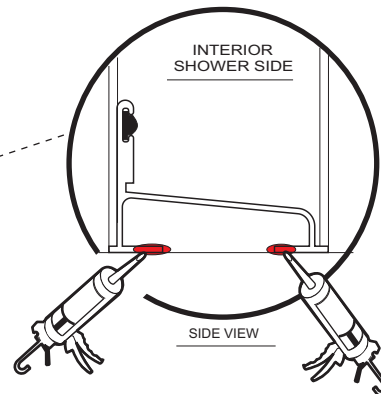


Step 2

REPEAT ON BOTH SIDE



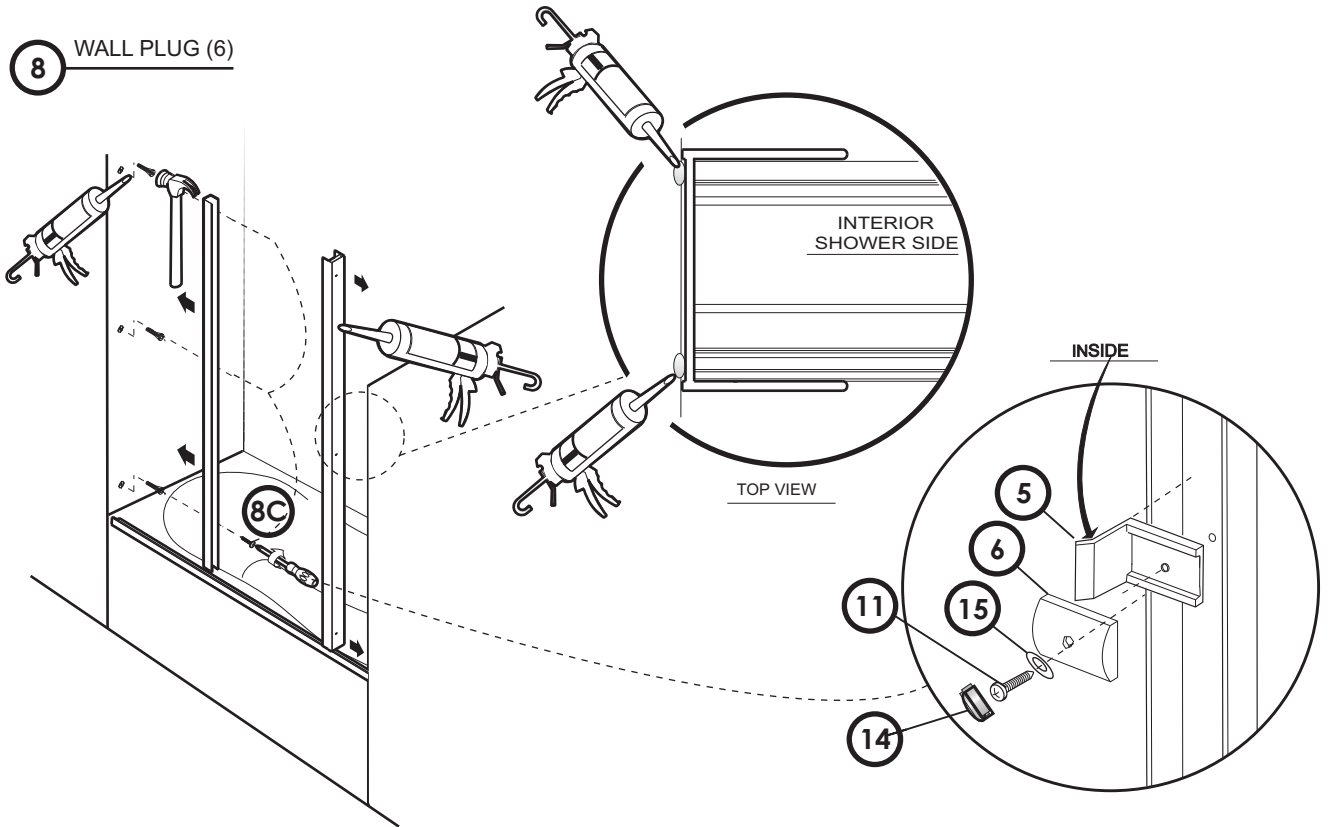
MEASURE THE BOTTOM OF INSTALLATION, CUT THE SPARE LENGTH WITH A SAW IF THE SIZE YOU WANT IS LESS THAN 1500mm



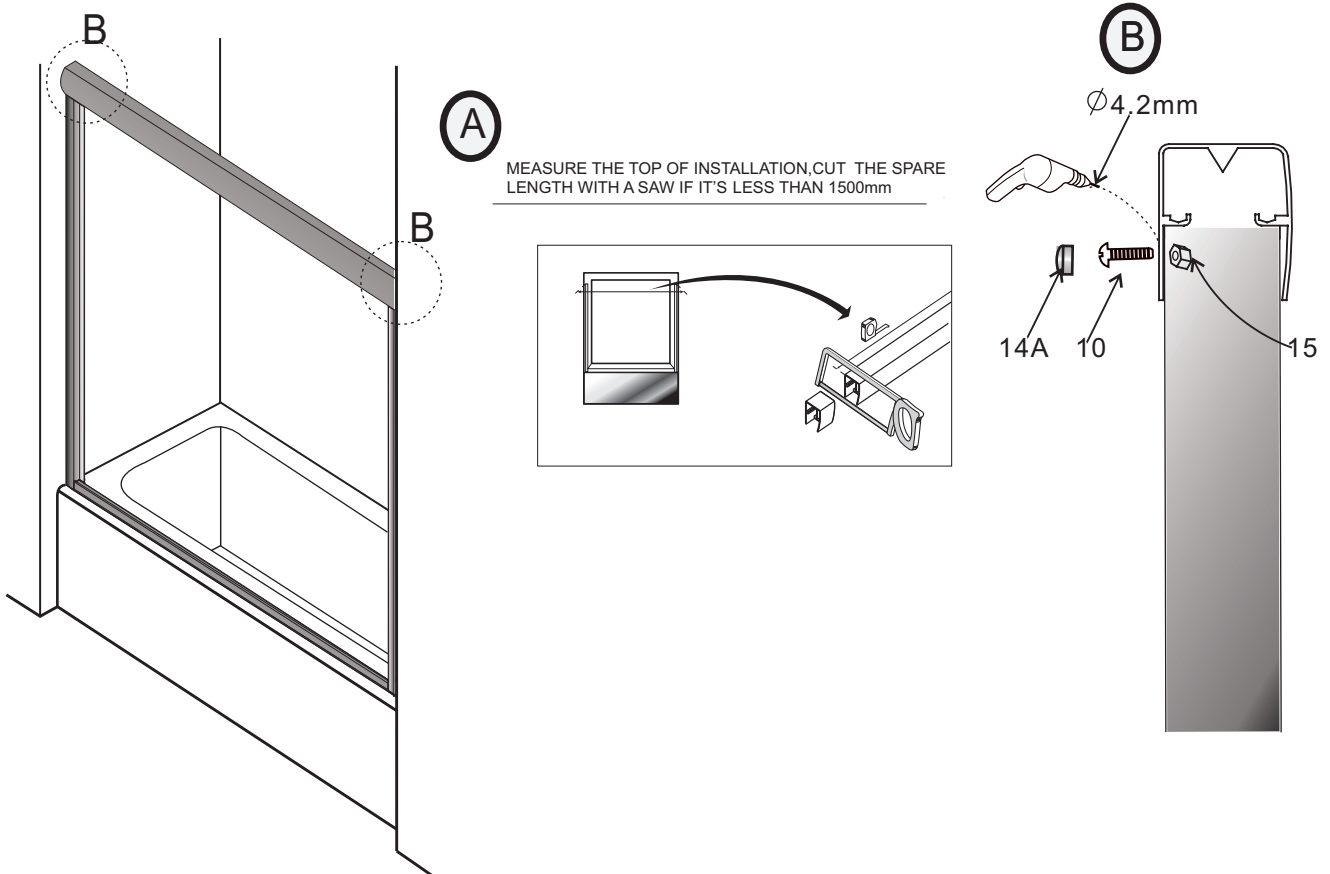
BOTTOM TRACK (1) SILICONE UNDERNEATH

Step 3

8 WALL PLUG (6)

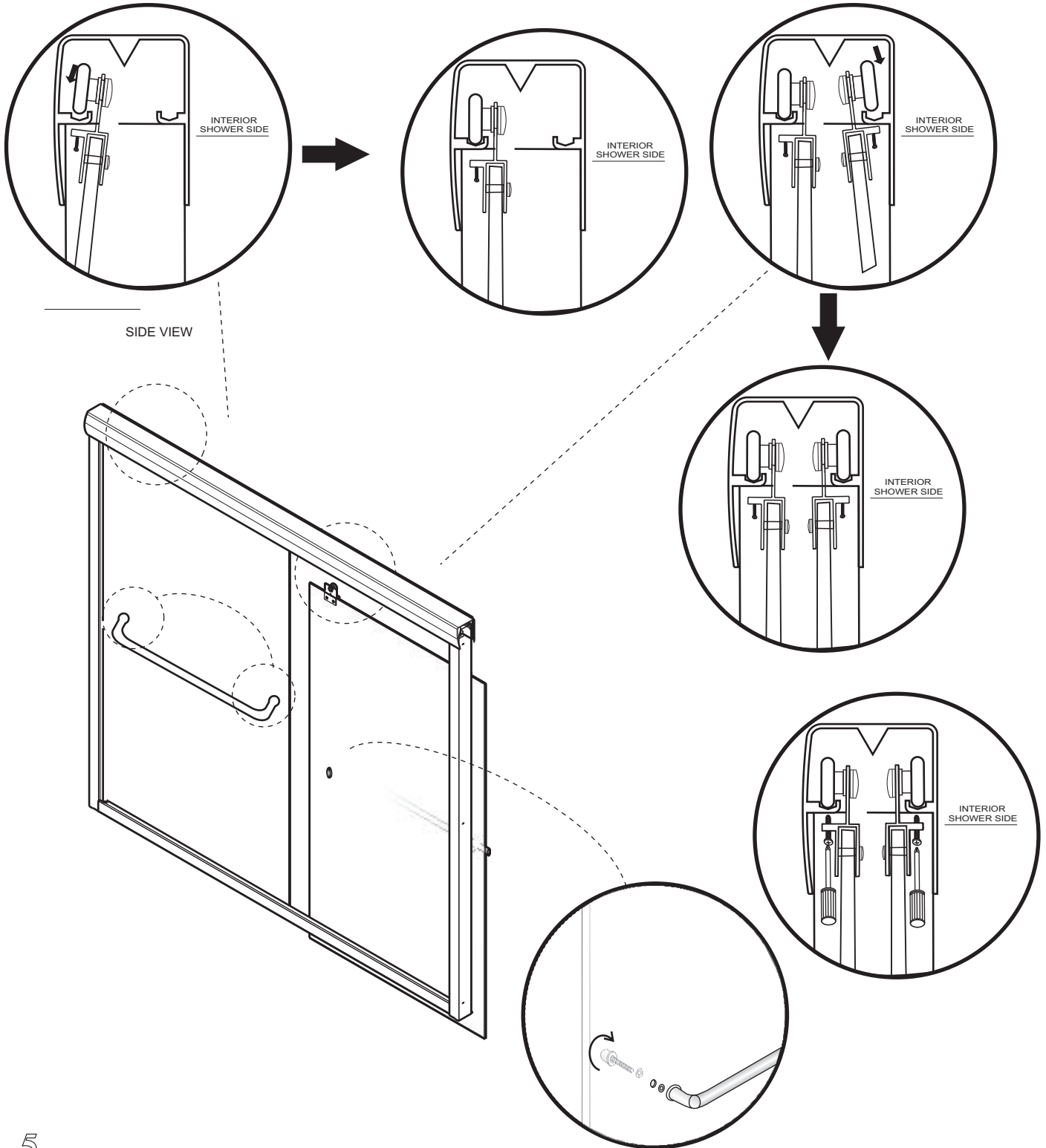


Step 4



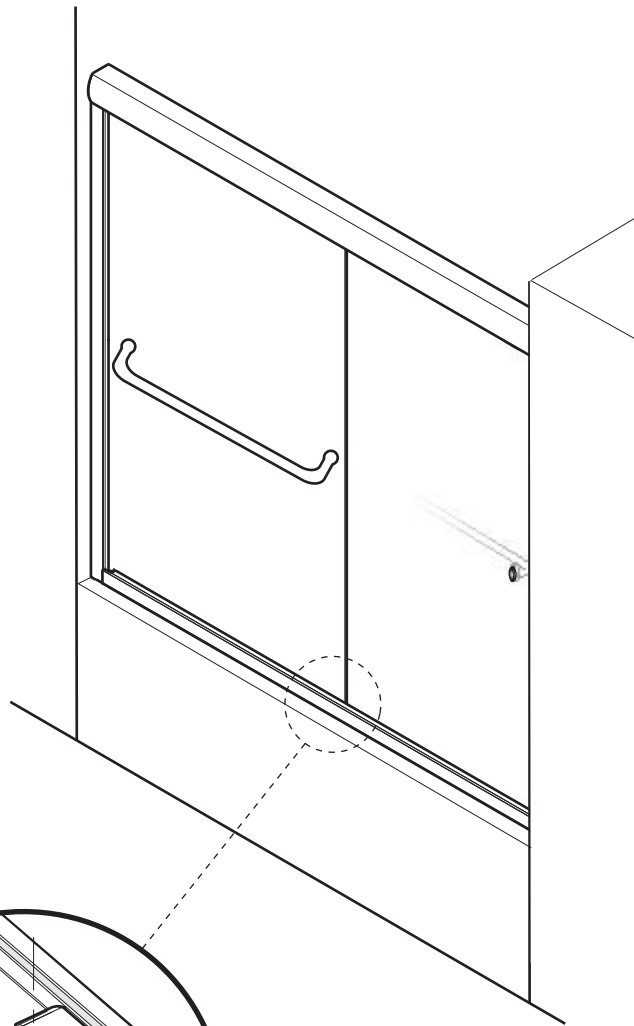
Step 5

INSERT OUTER DOOR PANEL BY LIFTING UP & INTO TOP TRACK



Step 6

- PUT THE CENTER GUIDE IN THE MIDDLE OF THE BOTTOM TRACK
- FASTEN GUIDE WITH SCREW 3/8" LG (2) + SCREW CAP (2)



Allow 24 hours for silicone to **dry** before use.

SIDE VIEW

