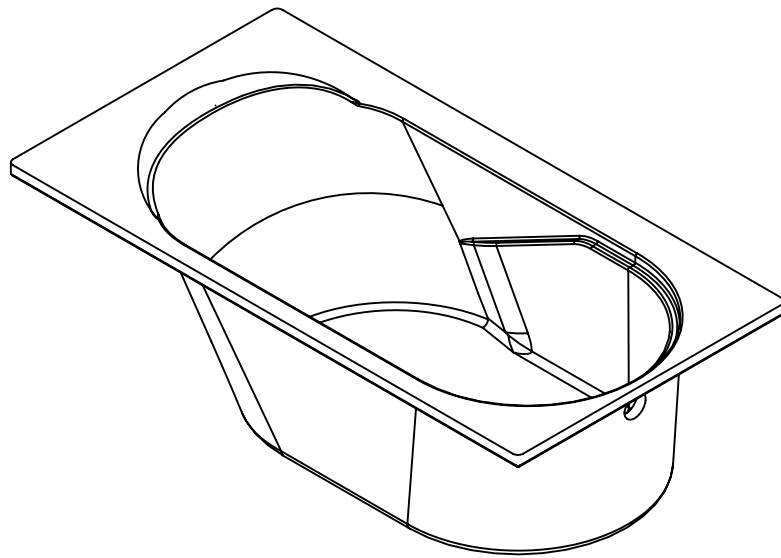


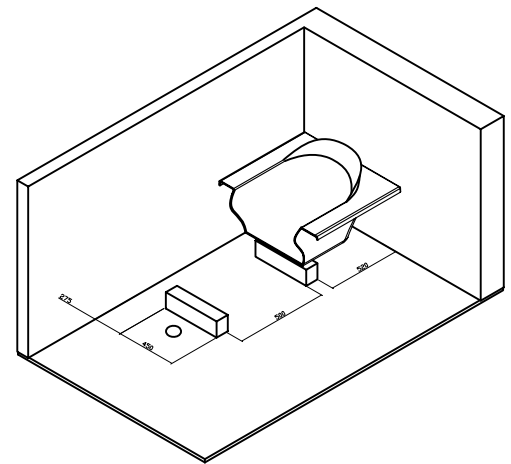
INSTALLATION MANUAL

GUIDE D'INSTALLATION

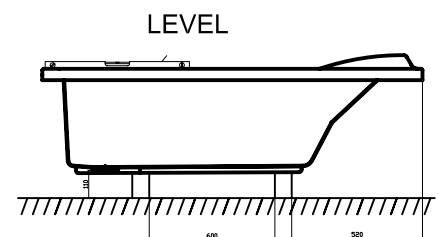


Model:AA3260(without flange)

1. Before installation, pls check whether the bath is protected well without damage and all the parts are complete. Communicate with customer whether there is requirement for installation height.



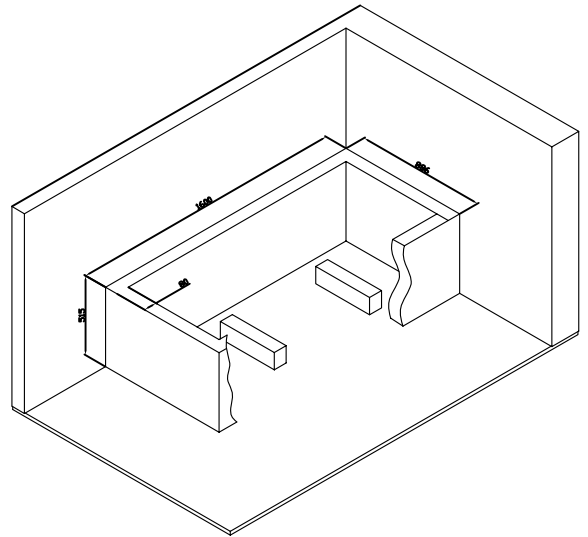
2. A)Stick a layer of protective on the surface of bath,and palce the bath in the installation position. See picture 1: Fill up two parallel lines cement bricks in the bottom of bath accroding to the size as picture show, to ensure the outlet is 110mm away from the ground(if customer require higher,then fill up the bath accroding to customer's requirment).



(1)

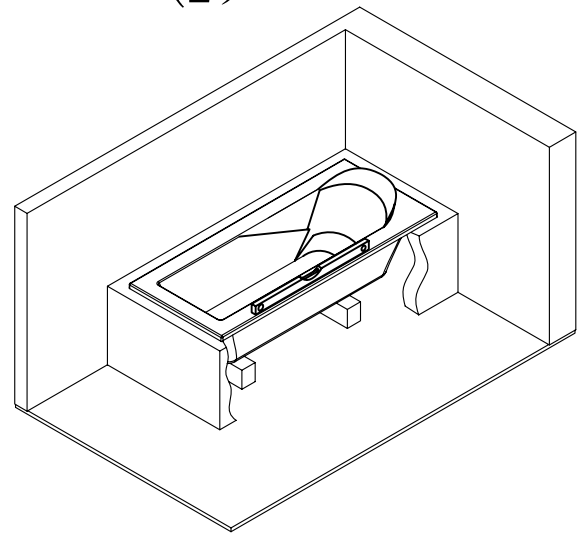
B)Put the levelling instrument on the flat surface on the bath,adjust the cement bricks filled up in the bottom of bath to make the bath horizontal;then measure the height from the bath trimming section to the ground, so as to build the table-board.

3. See picture 2: Move the bath away from installation position, build a rectangle platform with 80mm thick appress to the corner of wall. Build both ends of platform and the side appressed to the corner first, leave the out side in order to adjust the level and outlet again after putting the bath on the platform.



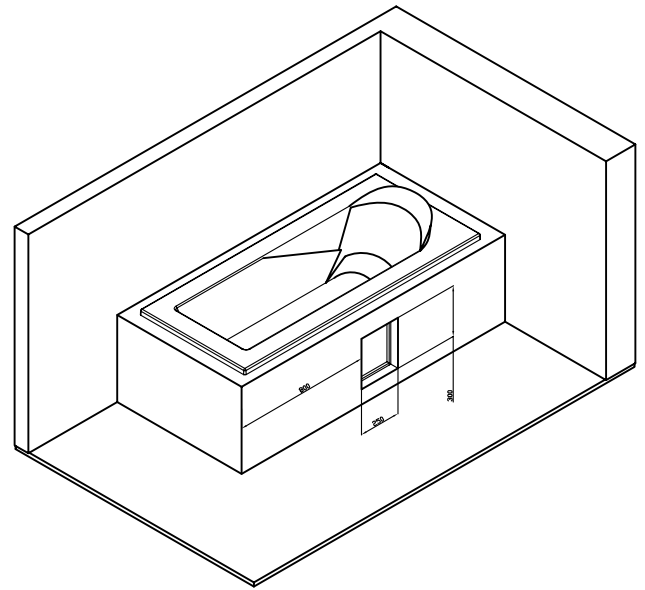
(2)

4. See picture 3: Place the bath on the center of platform, use levelling instruction to adjust it to horizontal, check and confirm the two parallel lines cement bricks in the bottom of bath touched completely with the bottom of bath; then place the outlet well to ensure it drain away water free-flowing without leaking water.



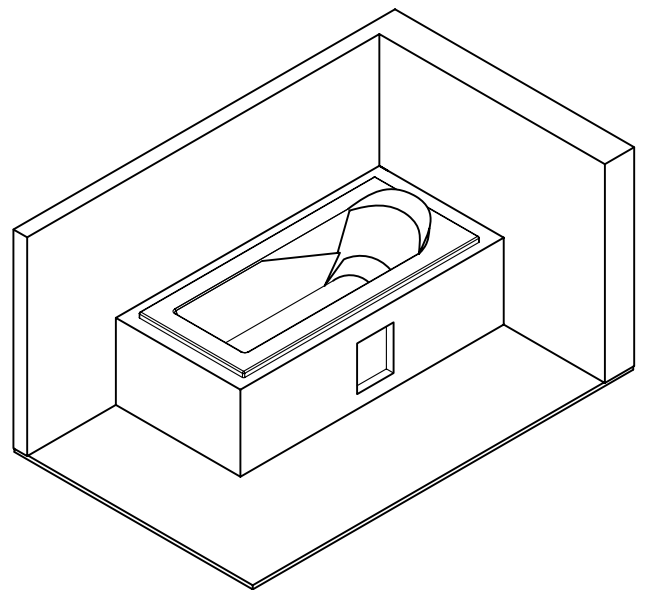
(3)

5. See picture 4: Build the out side of platform well. Make a repair window with 250*300mm according to the size as picture show, inset a 250*300mm wood frame inside of the window, in order to fasten decoration board.



(4)

6. Lastly, make the bath filled with water then drain it completely, check whether the speed of dewatering and displacement is normal, and scrap the rest of water left in the bath.



(5)