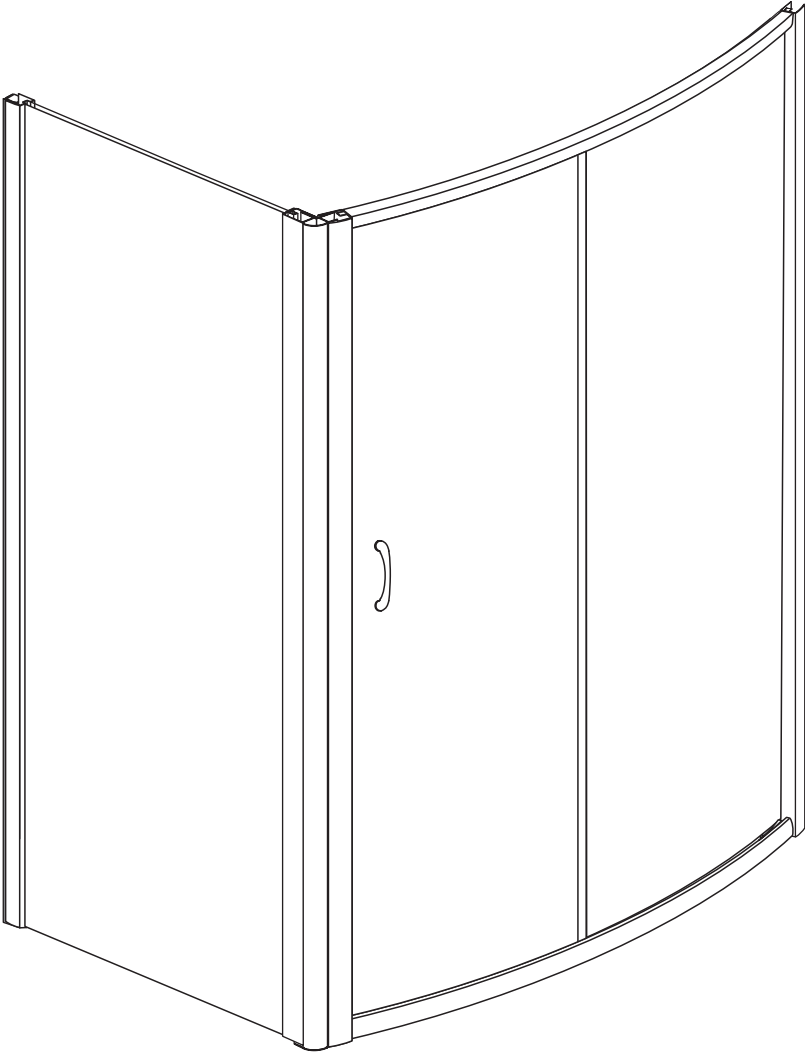


# CT1231A Instruction Manual



## ◆ General Information

Please inspect the product immediately upon receipt for transit damage, missing packs/parts or manufacturing fault. Damage reported later cannot be accepted. Please handle the product with care avoiding knocks and shock loading to all sides and edges of the glass.

### **Notes: Safety glass can not be re-worked.**

Please read these instructions carefully before start of installation.

Special care should be taken when drilling walls to avoid hidden pipes or electrical cables.

Note: This product is heavy and may require two people to install.

## Aftercare instructions

After use, your shower should be cleaned with soap and water. This is particularly important in hard water districts where insoluble lime salts may be deposited and allowed to build up.

Cleaners of a gritty or abrasive nature should not be used. Care should be taken to avoid contact with strong chemicals such as organic solvents and strippers.

Glass cleaners can be used but with caution, if in doubt contact the manufacturer of the cleaner in question.

Please keep these instructions for aftercare and customer service details.

---

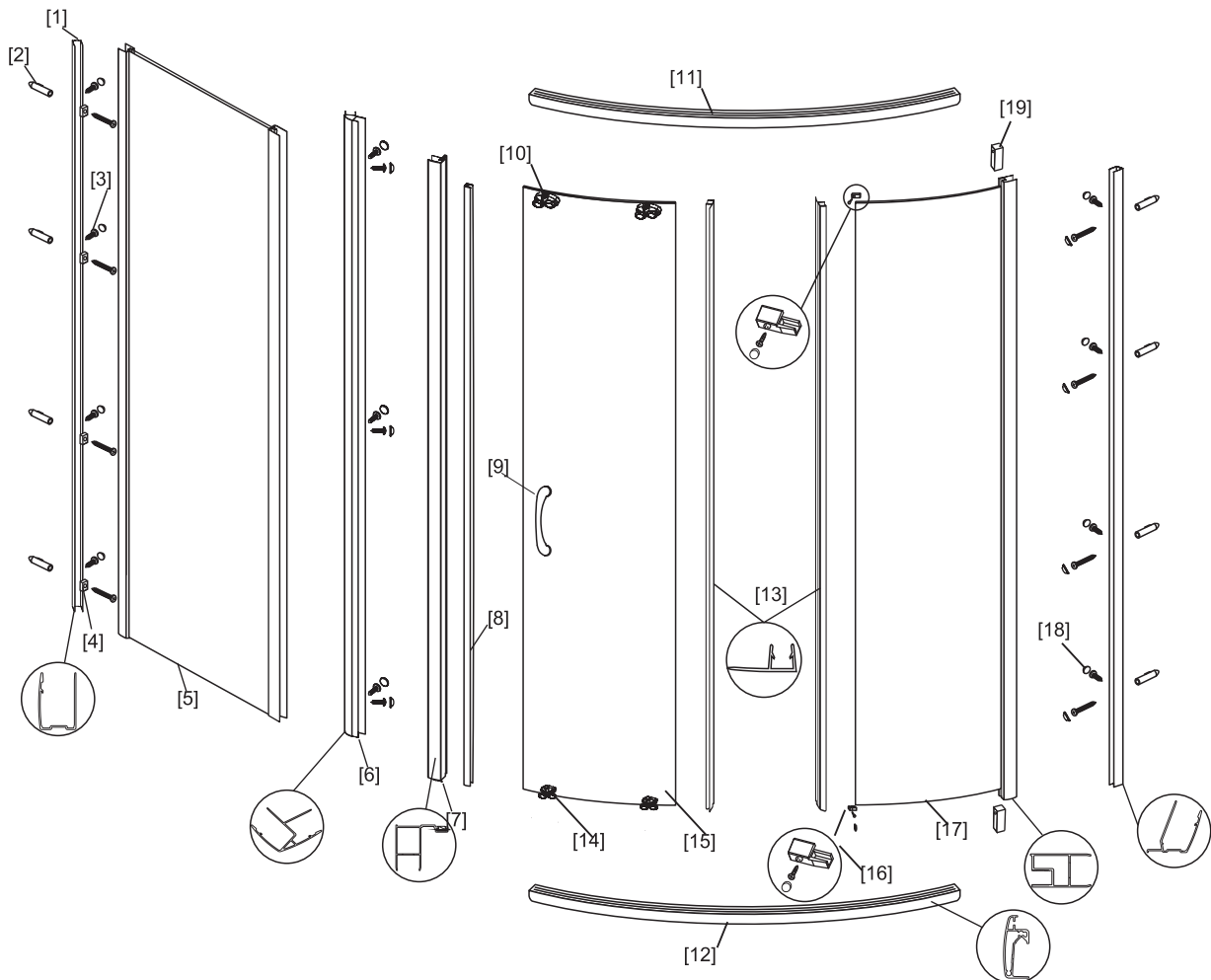
## Tools Required



**This product is heavy and may require two people to install.**



## ◆ Assembly Drawing

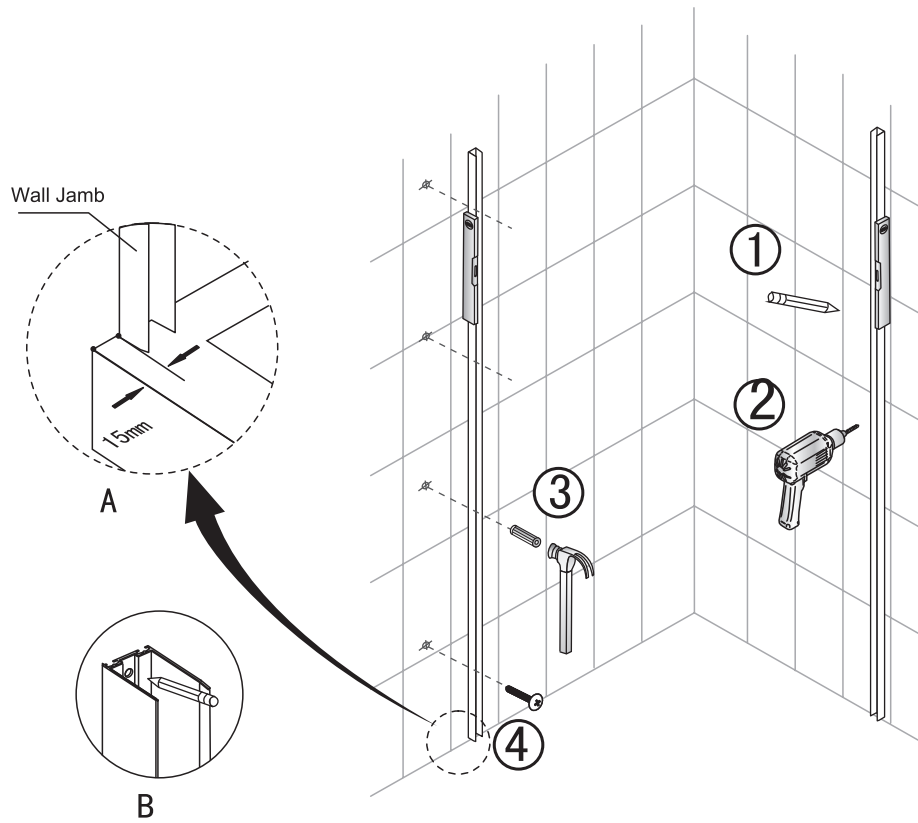


- [1] 2XWall Jamb
- [2] 8xWall Plugs
- [3] 16xM4x8 Screw
- [4] 4xBumper Mouldings
- [5] 1xFixed Panel
- [6] 1xCorner Jamb
- [7] 2xJamb
- [8] 1xMagnetic Seal
- [9] 1xHandle Set
- [10] 2xTop Rollers

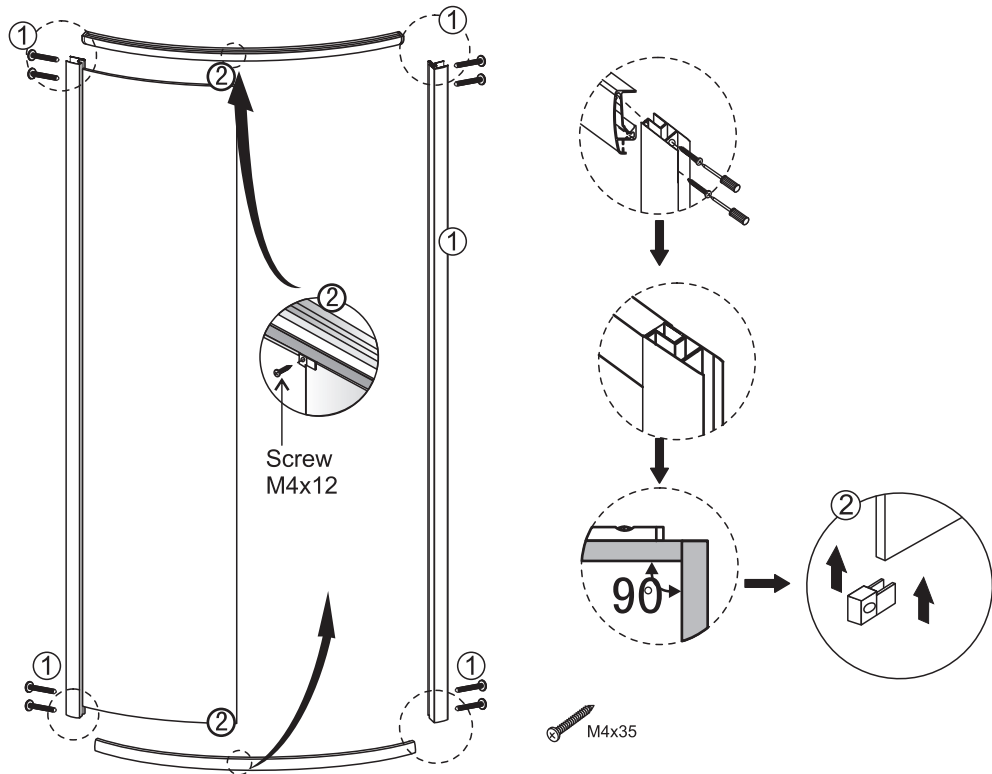
- [11] 1xTop Horizontal Rail
- [12] 1xBottom Horizontal Rail
- [13] 2xWater Deflectors
- [14] 2xBottom Rollers
- [15] 1xDoor Panel
- [16] 2xBumper Bloks
- [17] 1xFixed Panel
- [18] 20xScrew Cover Cap
- [19] 2xPlastic Block

# ◆ Installation Steps

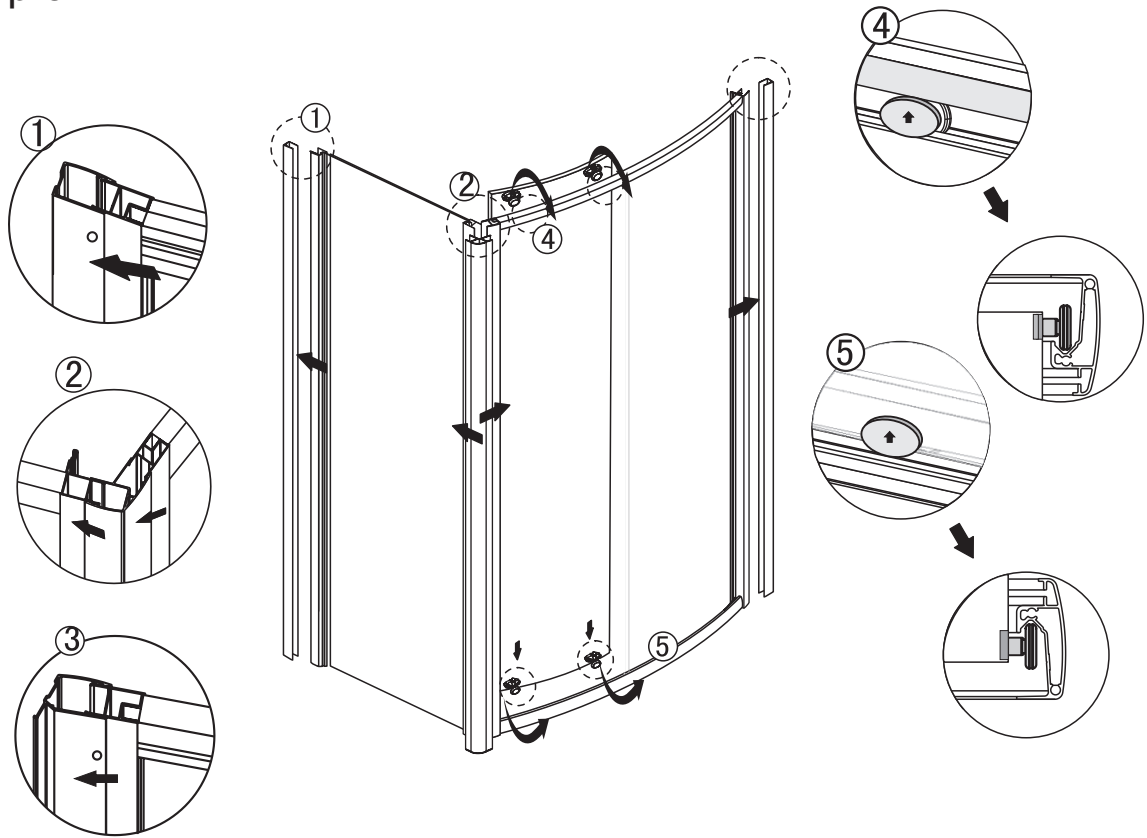
## Step 1



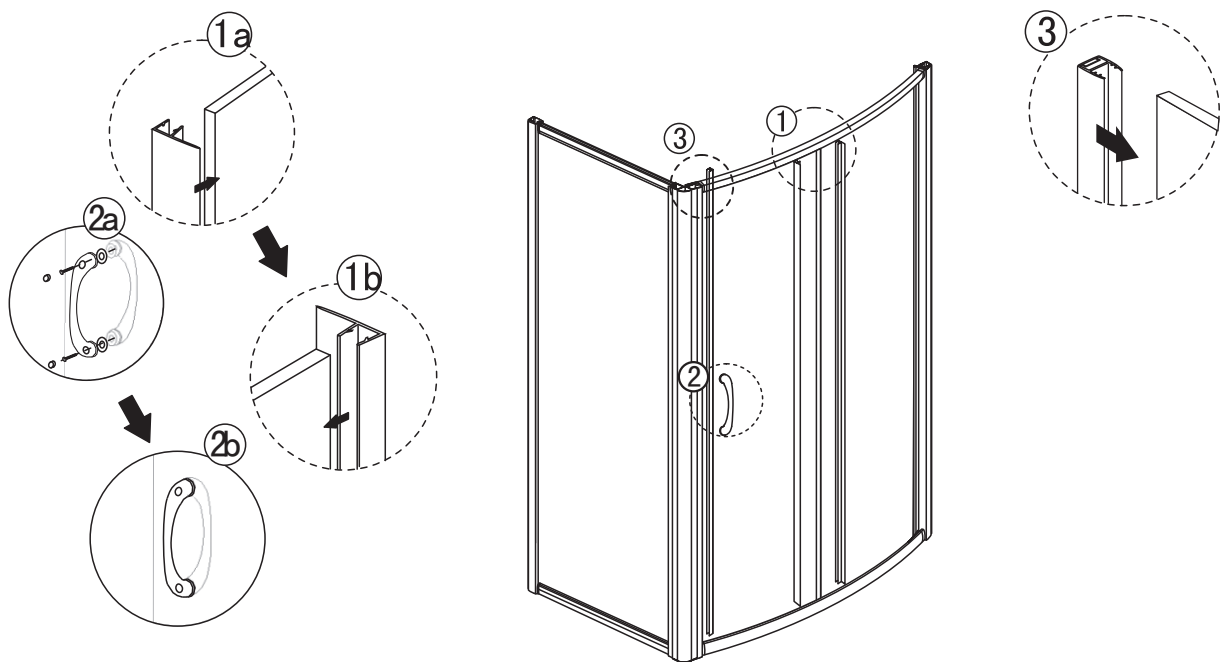
## Step 2



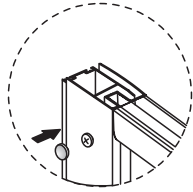
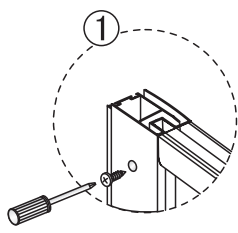
### Step 3



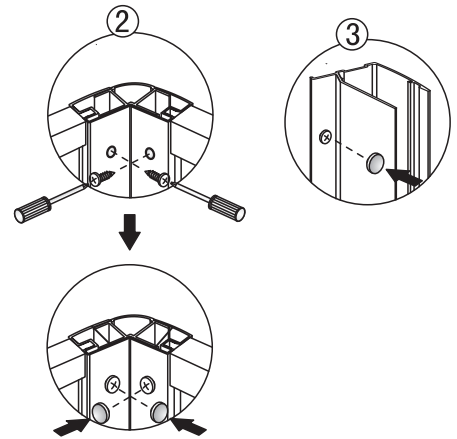
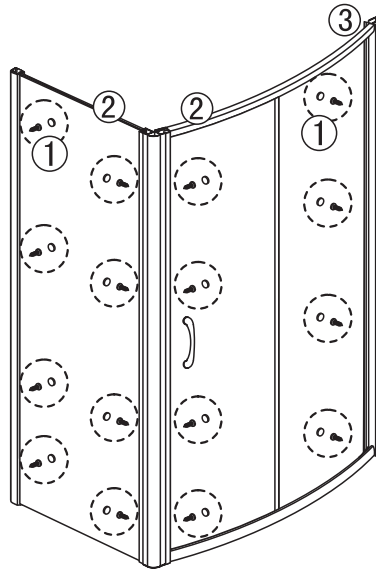
### Step 4



## Step 5



M4x8



M4x8

## Step 6

