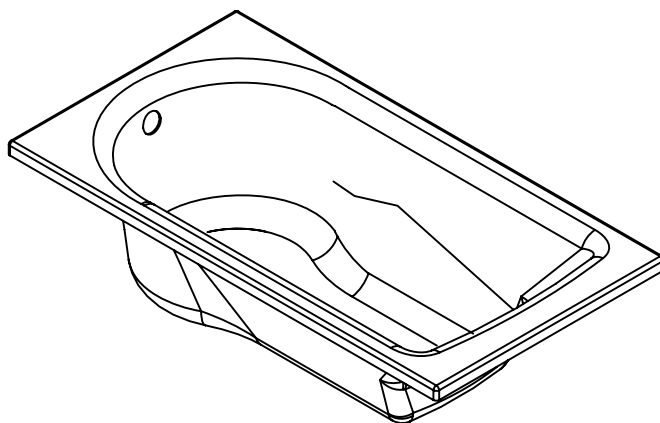


---

**INSTALLATION MANUAL**  
**GUIDE D' INSTALLATION**

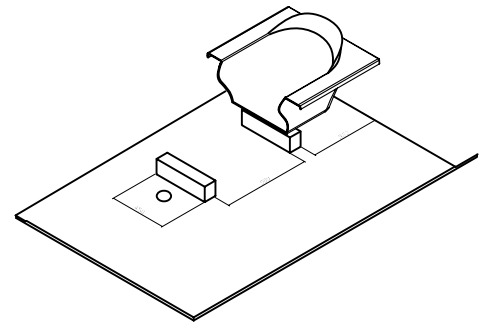


**Mode I : AB3260**

---

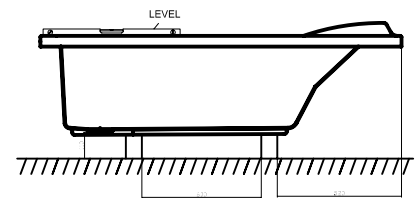
---

**1.** Before installation,pls check whether the bathtub is protected well without damage and all the parts are complete. Communicate with customer whether there is requirement for installation height.



**2.** A )Stick a layer of protective on the surface of bathtub,and palce the bathtub in the installation position.See picture 1: Fill up two parallel lines cement bricks in the bottom of bathtub accroding to the size as picture show, to ensure the outlet is 110mm away from the ground(if customer require higher,then fill up the bathtub accroding to customer's requirment).

B)Put the levelling instrument on the flat surface on the bathtub,adjust the cement bricks filled up in the bottom of bathtub to make the bathtub horizontal;then measure the height form the bathtub trimming section to the ground, so as to build the table-board.

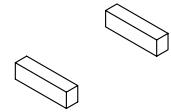


(1)

---

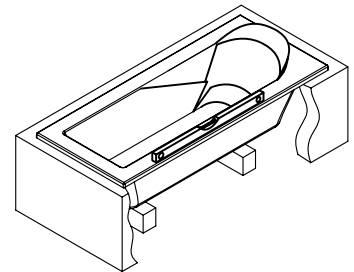
---

**3.** See picture 2: Move the bathtub away from installation position, build a rectangle platform with 80mm thick appress to the corner of wall. Build both ends of platform, leave the long side in order to adjust the level and outlet again after putting the bathtub on the platform.



(2)

**4.** See picture 3: Place the bathtub on the center of platform, use levelling instruction to adjust it to horizontal, check and confirm the two parallel lines cement bricks in the bottom of bathtub touched completely with the bottom of bathtub; then place the outlet well to ensure it drain away water free-flowing without leaking water.

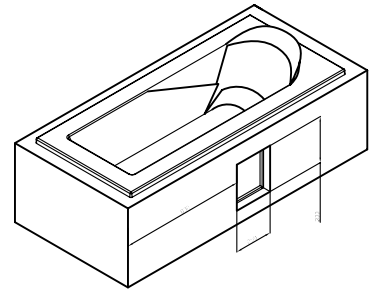


(3)

---

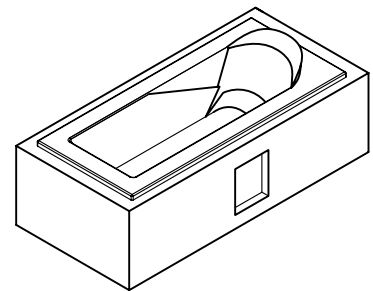
---

**5.** See picture 4: Build four out side of the platform well. Make a repair window with 250\*300mm according to the size as picture show, inset a 250\*300mm wood frame inside of the window, in order to fasten decoration board.



(4)

**6.** Lastly, make the bathtub filled with water then drain it completely, check whether the speed of dewatering and displacement is normal, and scrap the rest of water left in the bathtub.



(5)

---